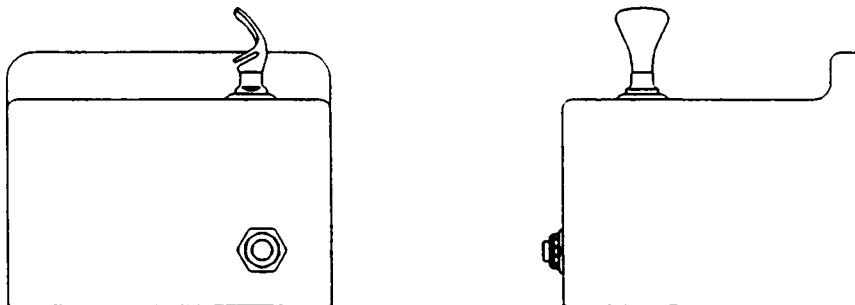


Halsey Taylor Owners Manual

Model 5905

Wall Mount Steel Fountain



Installer

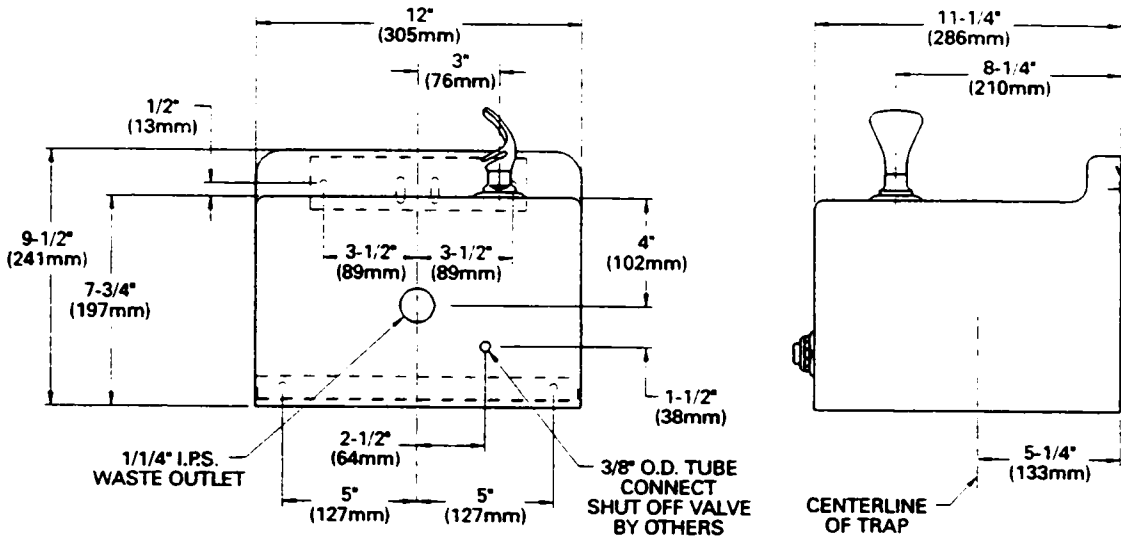
Halsey Taylor Fountains are among the easiest to install Fountains on the market today. To assure you install this model easily and correctly, PLEASE READ THESE SIMPLE INSTRUCTIONS BEFORE STARTING THE INSTALLATION. CHECK YOUR INSTALLATION FOR COMPLIANCE WITH PLUMBING, ELECTRICAL AND OTHER APPLICABLE CODES. After installation, leave these instructions inside the fountain for future reference.

IMPORTANT

ALL SERVICE TO BE PERFORMED BY AN AUTHORIZED SERVICE PERSON

1. Water supply 3/8" IPS. Waste 1-1/4" IPS. Contractor to supply waste trap and service stop valve in accordance with local codes.
2. Connecting lines to be made of copper and should be flushed to remove all foreign matter before being connected to cooler. This fountain is manufactured in such a manner that it does not in any way cause taste, odor, color or sediment problems. If a taste, odor or sediment problem is prevalent, try installing our water filter module, Part No. 73-15242-51-550, on the supply line.
3. Connect fountain to building supply line with a shut-off valve and install a 3/4" water line between the valve and the fountain. Remove any burrs from outside of water line. Loosen nut on inlet side of "Y" strainer (see Fig.1) and insert water line to a positive stop - approx. 3/4". (see Fig.2) Finger tighten nut to lock tubing in place. (see Fig.1)
4. For TROUBLE SHOOTING AND MAINTENANCE GUIDE, see page 3.
5. These products are designed to operate on 20 psig to 105 psig supply line pressure. If inlet pressure is above 105 psig, a pressure regulator must be installed in the supply line. Any damage caused by reason of connecting this product to supply line pressures lower than 20 psig or higher than 105 psig is not covered by warranty.

ROUGH - IN DIMENSIONS



START UP INSTRUCTIONS

1. This fountain is to be mounted on a smooth, flat, finished wall surface with adequate support structure.
NOTE: Wall mounting structure must be capable of supporting 300 lb. load on fountain.
2. Establish rim height that fountain is to be mounted at.
3. Refer to rough-in for plumbing.
4. Locate and install trap. (trap not furnished)
5. Install shut-off valve on building water supply. (valve not furnished)
6. Locate and install fountain using 3/8" minimum lag screw or bolts. (screw or bolts not furnished)
CAUTION: This fountain is rated for inlet water pressure of 20-105 PSI. A pressure reducing regulator should be used if the inlet water supply exceeds 105 PSI.
7. Connect water supply and fountain drain.
8. Turn on water supply and check all connections for leaks.

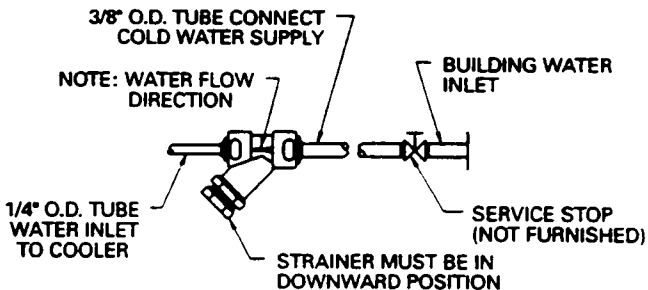


FIG. 1

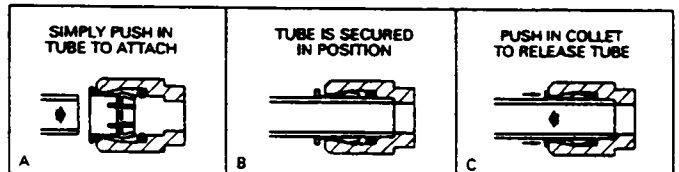


FIG. 2

STREAM HEIGHT ADJUSTMENT : Stream height is factory set at 35 PSI. If supply pressure varies greatly from this, remove item 1 & 2 (see Fig.4) and adjust screw on item 4. Clockwise adjustment will raise stream and counter-clockwise adjustment will lower stream. For best adjustment, stream should hit basin approx. 6-1/2" from the bubbler.

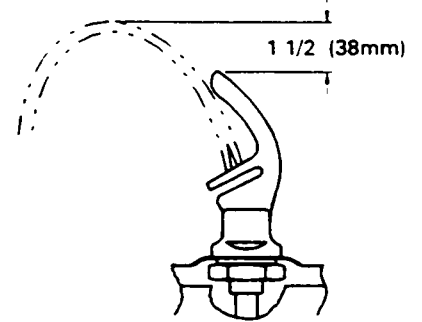


FIG. 3

ITEMIZED PARTS LIST

ITEM NO.	PART NO.	DESCRIPTION
1	40089C	Cover
2	40048C	Button
3	10031C	Regulator Retaining Nut
4	61313C	Regulator
5	40169C	Hex Nut
6	50985C	Regulator Holder
7	22929C	Basin
8	160270508640	Strainer Plate
9	161637308640	Drain Plug
10	100147140560	Gasket
11	110346220550	Locknut
12	100352940560	Gasket - Slip Nut
13	160356008550	Tailpipe
14	160346308640	Slip Nut
15	100322740560	Bubbler Gasket
16	101422831920	Bubbler
17	23046C	Bottom Cover
18	62307C	Bubbler Tube
19	101637451550	Friction Ring
NOT SHOWN	70788C	Y - Strainer

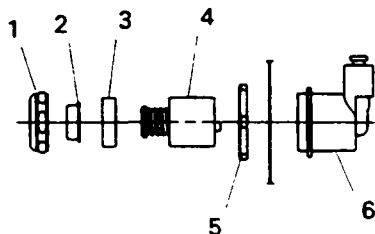
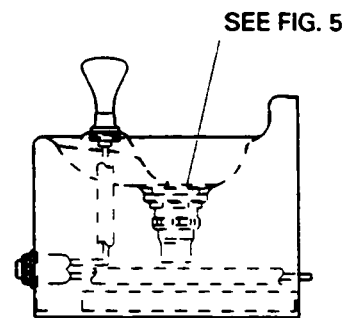
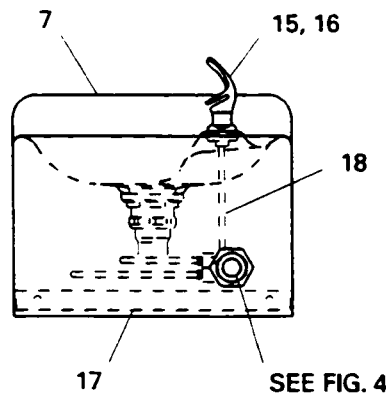


FIG. 4

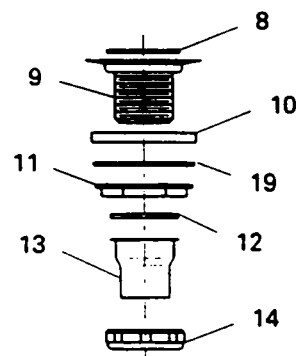


FIG. 5

TROUBLE SHOOTING & MAINTENANCE

Orifice Assy: Mineral deposits on orifice can cause water flow to spurt or not regulate. Mineral deposits may be removed from the orifice with a small round file not over 1/8" diameter or small diameter wire. **CAUTION: DO NOT** file or cut orifice material.

Stream Regulator: If orifice is clean, regulate flow as in "**STREAM HEIGHT**" instructions on page 3. If replacement is necessary, see parts list for correct regulator part number.

Actuation of Quick Connect Water Fittings: Fountain is provided with lead-free connectors which utilize an o-ring water seal. To remove tubing from the fitting, relieve water pressure, push in on the gray collar while pulling on the tubing. (see Fig. 2) To insert tubing, push tube straight into fitting until it reaches a positive stop, approximately 3/4".

Halsey Taylor ©

P. O. BOX 9001
OAK BROOK, IL 60521
(708) 574-3500

PRINTED IN U. S. A.

FOR PARTS, CONTACT YOUR LOCAL DISTRIBUTOR OR CALL 1-800-323-0620