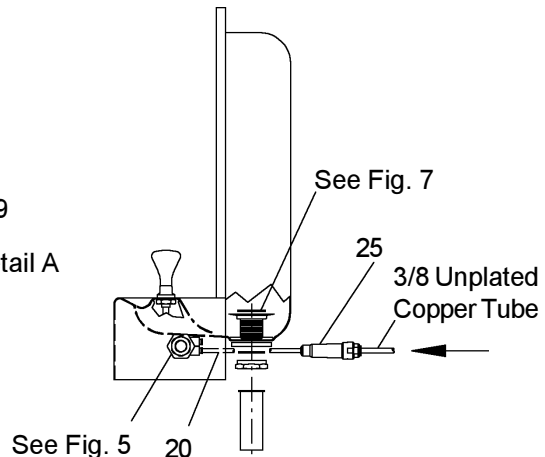
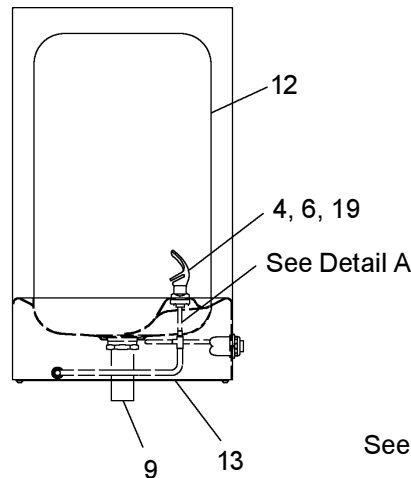
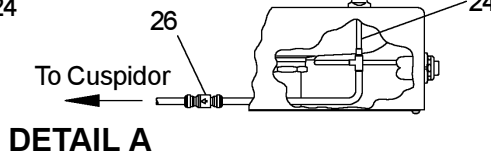
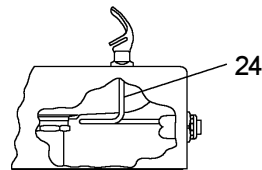


Halsey Taylor Owners Manual

5801 FOUNTAIN

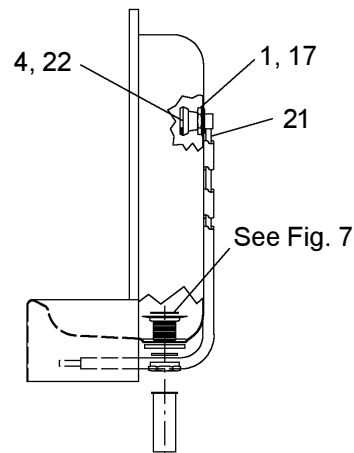
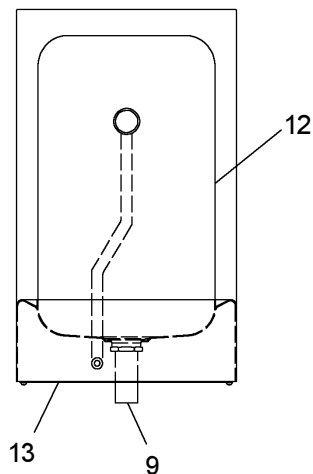


5801 FOUNTAIN W/O CUSPIDOR



5801 FOUNTAIN WITH CUSPIDOR

5803 CUSPIDOR



INSTALLER

Halsey Taylor Fountains are among the easiest to install Fountains on the market today. To assure you install these models easily and correctly, PLEASE READ THESE SIMPLE INSTRUCTIONS BEFORE STARTING THE INSTALLATION. CHECK YOUR INSTALLATION FOR COMPLIANCE WITH PLUMBING, ELECTRICAL, AND OTHER APPLICABLE CODES. After installation, leave these instructions with the Fountain for future reference.

IMPORTANT

ALL SERVICE TO BE PERFORMED BY AN AUTHORIZED SERVICE PERSON

ROUGH-IN DIMENSIONS

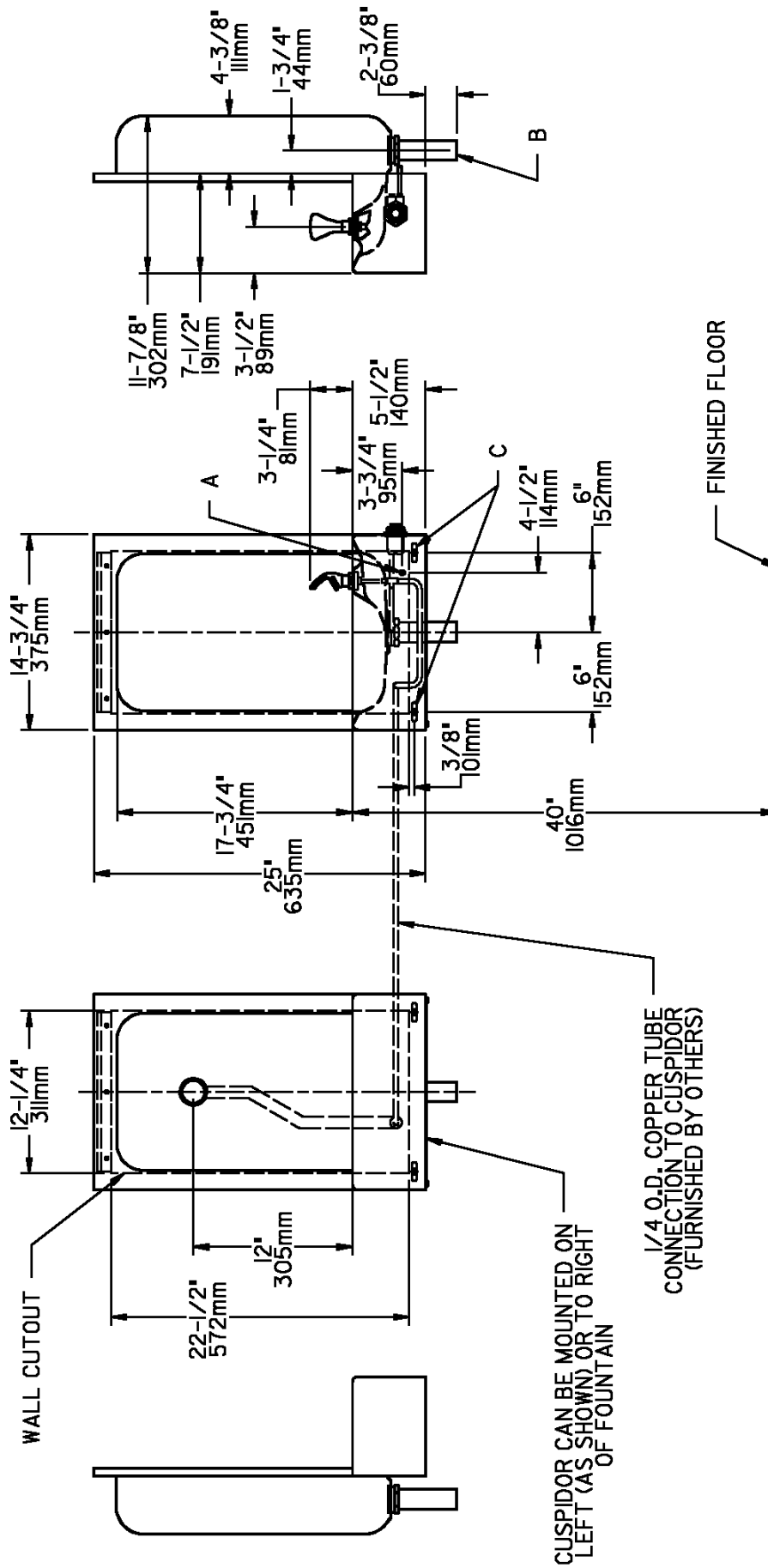


FIG. 1

- LEGEND/LEGENDE
- A = RECOMMENDED WATER SUPPLY LOCATION 3/8 O.D. UNPLATED COPPER TUBE CONNECT STUB 1-1/2 IN. (38 mm) OUT FROM WALL SHUT OFF BY OTHERS
SE RECOMIENDA UBICAR EL TUBO CORTO DE CONEXIÓN AL TUBO DE COBRE SIN CHAPAR DE 3/8" DE DIÁM. EXT. A 1-1/2" (38 mm) FUERA DE LA LLAVE DE PASO EN LA PARED COLOCADA POR TERCEROS.
EMPLACEMENT RECOMMANDÉ D'ALIMENTATION EN EAU PAR TUBE EN CUIVRE NON PLAQUÉ DE 3/8 PO. (9.5 mm) D.E. CONNECTANT UNE TUYAUTERIE DE 1-1/2 PO. (38 mm) DEPUIS LE ROBINET D'ARRÊT FOURNI PAR D'AUTRES.
 - B = RECOMMENDED LOCATION FOR WASTE OUTLET 1-1/2" O.D. DRAIN
UBICACIÓN RECOMENDADA PARA EL DRENAJE DE SALIDA DE AGUA, DE 1-1/2" DE DIÁMETRO.
EMPLACEMENT RECOMMANDÉ POUR LE DRAIN DE D.E. 1-1/2" DE SORTIE D'EAU.
 - C = WALL SCREW HOLES
AGUEROS DE TORNILLOS DE PARED
TROUS DE VIS DU MUR

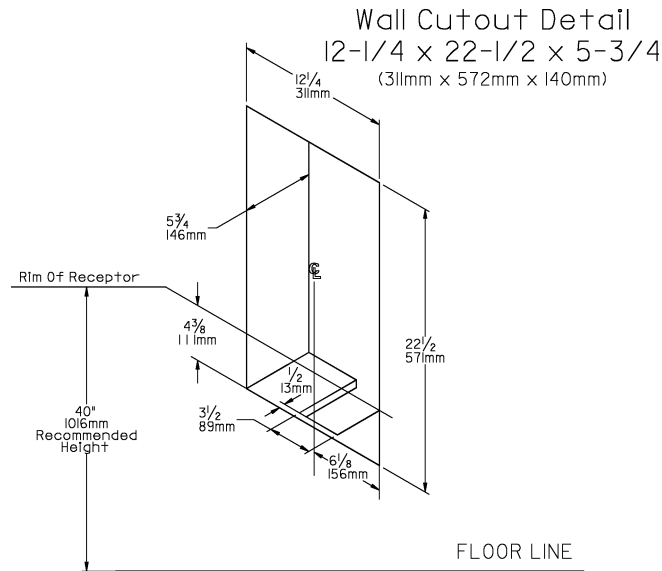


FIG. 2

INSTALLATION INSTRUCTIONS

1. Prepare the wall cutout opening(s). Refer to Wall Cutout Detail (See Fig 2).
2. Prepare waste connection(s) and water supply hookup connection. Refer to roughin drawing for location details (See Fig. 1).
NOTE: Access to the rear of the fountain is desirable to ease installation. If rear access is not obtainable an access panel (furnished by others) should be installed below the fountain.
3. Install the fountain hanger bracket(s) to the upper edge of the wall cutout. Remove bottom cover plates from the fountain. Save the cover plates and screws for reinstallation.
4. Install the basin. Place the upper edge of the basin above the hanger in the wall frame. Slide the basin down until it engages the hanger. Be sure the basin is firmly engaged before releasing it. Secure the bottom of the fountain to the wall frame. If fountain is used with the 5803 Cuspidor repeat above steps.
NOTE: SCREWS FOR ATTACHING THE FOUNTAIN HANGER BRACKET AND BASIN ARE NOT INCLUDED.
5. Connect waste line traps to the fountain (and cuspidor if required). Connect water supply line service stop to the water inlet line on the 5801 Fountain. Fountain is supplied with a 3/8" unplated copper water hookup line with a strainer. The fountain must be connected through the strainer to eliminate damage to the water regulator on/off control.
NOTE: WASTELINE TRAP(S) AND SERVICE SUPPLY STOPS ARE NOT INCLUDED.
6. 5803 Cuspidor only. Connect outlet of the check valve to the inlet line, to the sprayer head, on the 5803 Cuspidor. Check valve flow direction must be as shown for correct operation.
7. Open service stop and operate push button to purge air from system. Check thoroughly for leaks. Check stream height from bubbler. Stream height is factory set at 45-50 PSI. If supply pressure varies greatly from this, remove items 14 and 15 and adjust screw on regulator (item 23) see figure 5. Clockwise adjustment will raise stream and CCW adjustment will lower stream height. For best adjustment stream height should be approximately 1-1/2" (38mm) above the bubbler guard. (See Fig. 9).
8. Assemble cover plate to bottom of fountain with screws supplied.

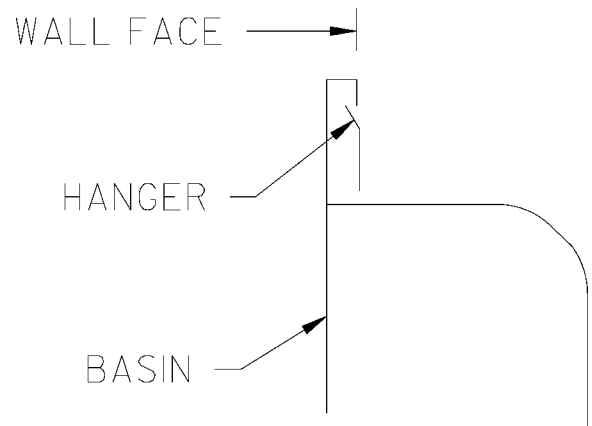


FIG. 3

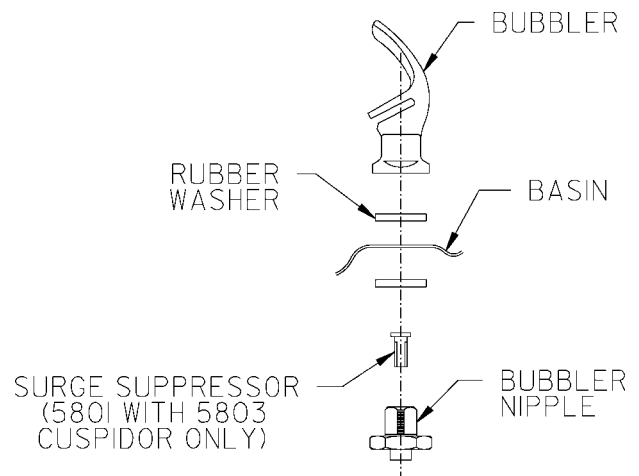


FIG. 4

5801*B FOUNTAIN / 5801*B FOUNTAIN W/5803 CUSPIDOR

ITEMIZED PARTS LIST

ITEM NO.	PART NO. 5801 FTN	PART NO. 5801 W/CUSP	PART NO. 5803 CUSP	DESCRIPTION
1	-	-	100115824740	Gasket 1-1/4 I.D.
2	100147140560	100147140560	100147140560	Gasket
3	15005C	15005C	15005C	Nut - Retainer
4	100322740560	100322740560	100322740560	Gasket - Black
5	100352940560	100352940560	100352940560	Gasket - Slipnut
6	-	102688531550	-	Suppressor - Surge
7	110346220550	110346220550	110346220550	Locknut - 1 1/2 x 11 1/2
8	160270508640	160270508640	160270508640	Strainer Plate - Chrome
9	160346108640	160346108640	160346108640	Tailpiece - 1 1/2 OD x 4
10	160346308640	160346308640	160346308640	Slipnut - 1 1/2
11	102639931920	102639931920	161637308640	Drain Plug - Chrome
12	170639442830	170639442830	400825342830	Basin
13	23044C	23044C	400952143730	Bottom Cover
14	40048C	40048C	-	Button - Chrome
15	40089C	40089C	-	Cover Nut - Chrome
16	40169C	40169C	-	Hex Nut - Chrome
17	-	-	411564208640	Nut
18	50986C	50986C	-	Regulator Holder
19	51546C	51546C	-	Bubbler - Chrome
20	60119C	60119C	-	Tube - Cu 1/4 x 5.00 Lg
21	-	-	601563851550	Tube Assy
22	-	-	610810751640	Cuspidor Head
23	61313C	61313C	-	Regulator
24	62304C	66209C	-	Tube Assy - Bubbler
25	55996C	55996C	-	Strainer
26	-	75494C	-	Check Valve - 3/8
27	101637451550	101637451550	101637451550	Ring - Friction
NS	401495443730	401495443730	401495443730	Basin Hanger

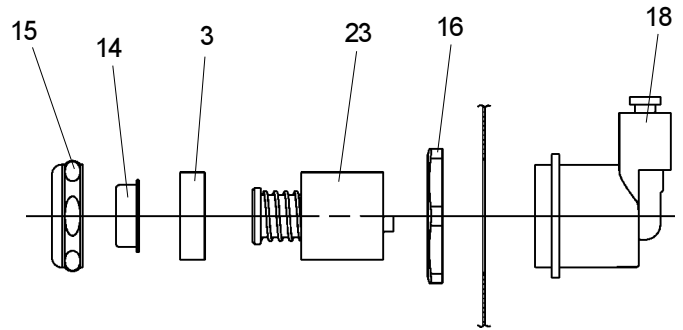


FIG. 5

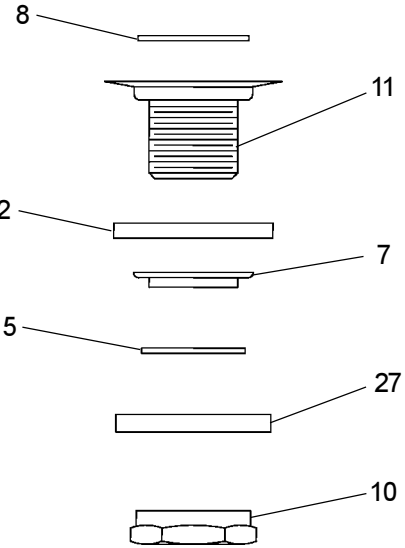
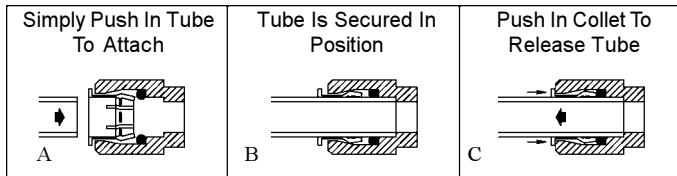


FIG. 7

OPERATION OF QUICK CONNECT FITTINGS

Cooler is provided with lead-free connectors which utilize an o-ring water seal. To remove tubing from the fitting, relieve water pressure, push in on the gray cooler while pulling out on the tubing. To insert tubing, push tube straight into fitting until it reaches a positive stop, approximately 3/4".



Insert tube to a positive stop approximately 3/4 of an inch

Pushing Tube In Before Pulling It Out Helps To Release Tube.

FIG. 6

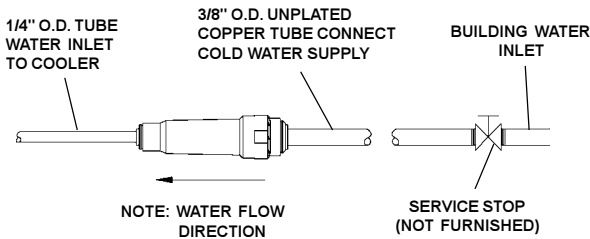
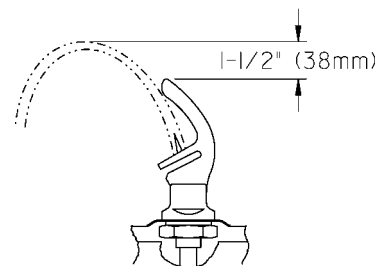


FIG. 8



CORRECT STREAM HEIGHT

FIG. 9

Halsey Taylor
 2222 CAMDEN COURT
 OAK BROOK, IL 60523
 630.574.3500
PRINTED IN U.S.A.

FOR PARTS, CONTACT YOUR LOCAL DISTRIBUTOR OR CALL 1.800.323.0620