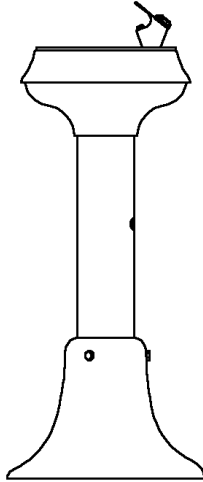


# Halsey Taylor Owners Manual

4520-68 (30")/4521-68 (36") PEDESTAL FOUNTAIN



## INSTALLATION

1. Provide a solid, well-drained surface to mount fountain.
  2. Locate and install plumbing through ground as shown on rough-in.
  3. Locate three tripod mounting holes as shown on rough-in. (Mounting bolts not furnished). 7/16" (11mm) diameter holes provided in tripod.
  4. Remove set screw in side of tripod cover and raise cover to aid in positioning fountain over mounting holes. Support cover with blocking while making plumbing connections.
  5. Use unions to connect supply and waste lines.
  6. Anchor tripod to ground.
  7. Install shut-off valve on water supply. (Shut-off valve not furnished).
- CAUTION: This fountain is rated for inlet water pressure of 20-90 PSI. Should the inlet water supply exceed 90 PSI, a pressure reducing regulator should be used.
8. Connect fountain to water supply line by running a water line between the shut-off valve and fountain.
  9. Turn "ON" water supply and check all connections for leaks.
  10. Lower tripod cover, align hole for set screw and tighten set screw into leg of tripod.
  11. Adjust bubbler stream height. (See Instructions below).

## TROUBLE SHOOTING & MAINTENANCE

**PROJECTOR:** If mineral deposits build up in the orifice, they can be removed by using a round file or small diameter wire.

**CAUTION:** Care must be taken not to damage orifice assembly.

**STREAM REGULATOR:** Stream height is factory set at 45-50 PSI. If supply pressure varies greatly from this, remove the retaining nut and button (See Fig. 2) from bubbler assembly and adjust the screw on the regulator. Clockwise adjustment will raise stream height and counterclockwise will lower the stream height. A stream height of 1" (25mm) is recommended (See Fig. 1).

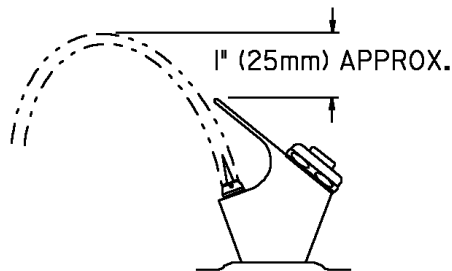


FIG. 1

# MOUNTING SPECIFICATIONS

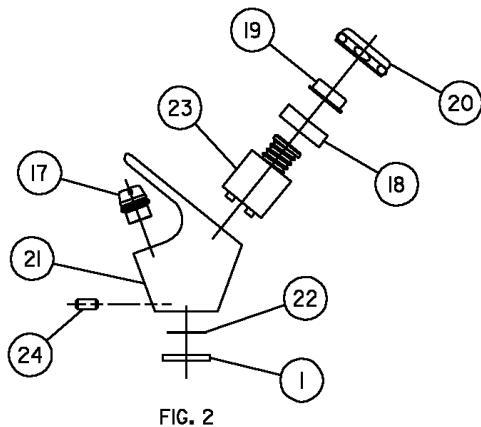
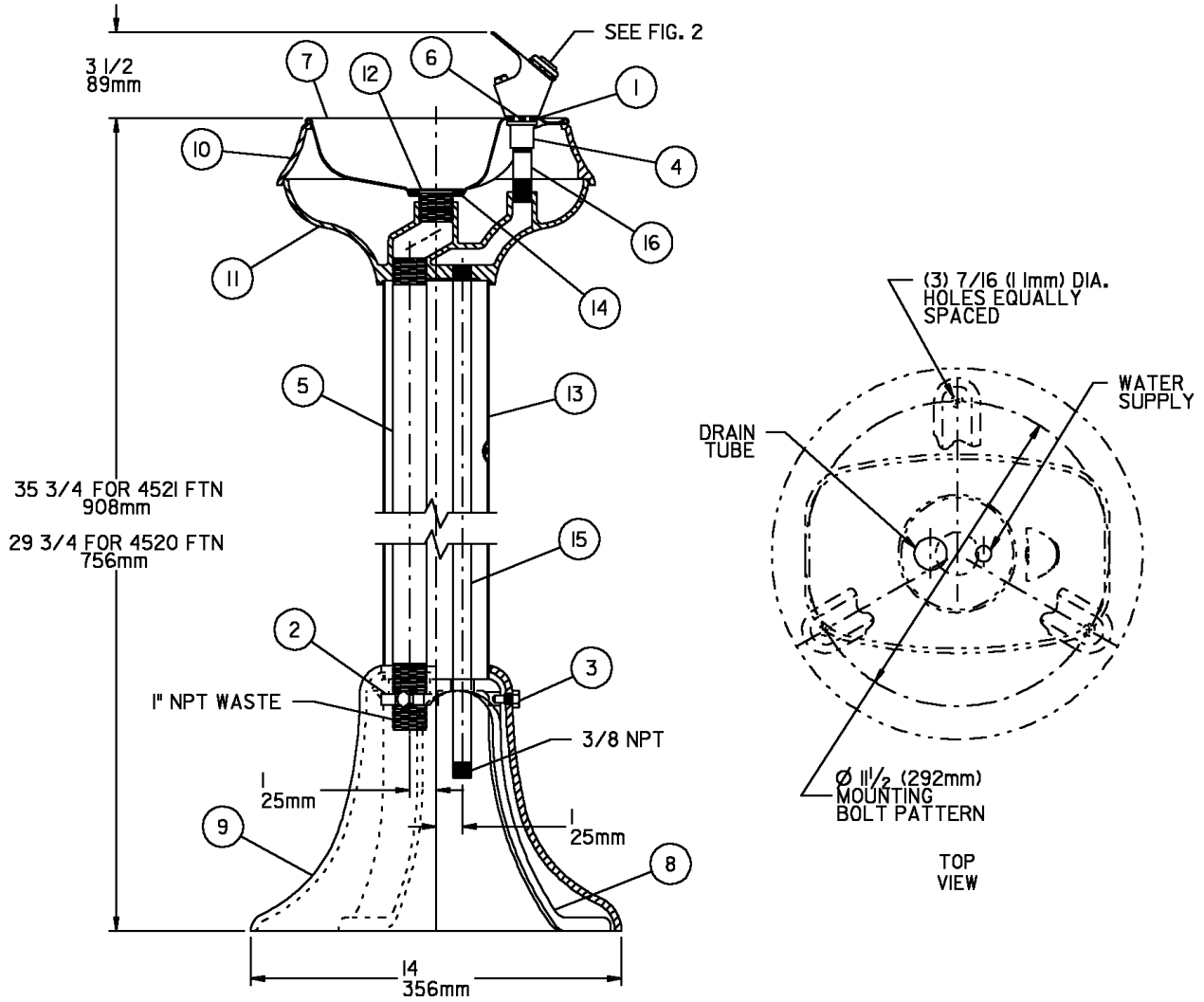


FIG. 2

## ITEMIZED PARTS LIST

1	100322740560	GASKET-BLACK
2	110016243730	NUT-HEX LOCK 1-11/2
3	110319143890	HEX CAP SCREW 3/8-16 X 3/4
4	160194316550	PROJECTOR CONNECTION
5	160016143730	WASTE-PIPE 1" OD X 22 1/2" (4521 FTN)
6	160316143730	WASTE-PIPE 1" OD X 16 1/2" (4520 FTN)
7	160609216550	NIPPLE-PROJECTOR
8	170734842830	RECEPTOR
9	400014713750	BASE-TRIPOD
10	400014813750	COVER-BASE
11	400787713750	TOP-UPPER
12	400787813750	TOP-LOWER
13	410322808640	DRAIN PLUG
14	45356C	TUBE-PEDESTAL 4" OD X 19 3/4" (4521 FTN)
15	45354C	TUBE-PEDESTAL 4" OD X 13 3/4" (4520 FTN)
16	50074C	GASKET-TAIL PIPE
17	66369C	PIPE 3/8" X 23" (4521 FTN)
18	66369C	PIPE 3/8" X 17" (4520 FTN)
19	70967C	NIPPLE 3/8 NPT X 2 1/4
20	A54874	ORIFICE ASSY
21	10031C	RETAINING NUT
22	10048C	BUTTON
23	40089C	NUT-COVER
24	45659C	BUBBLER BODY
	60291C	SCREEN-SS
	61313C	REGULATOR
	70021C	SCREW-SET #8-32 X 1/4

**Halsey Taylor®**

2222 CAMDEN COURT  
OAK BROOK, IL 60521  
630.574.3500  
PRINTED IN U.S.A.