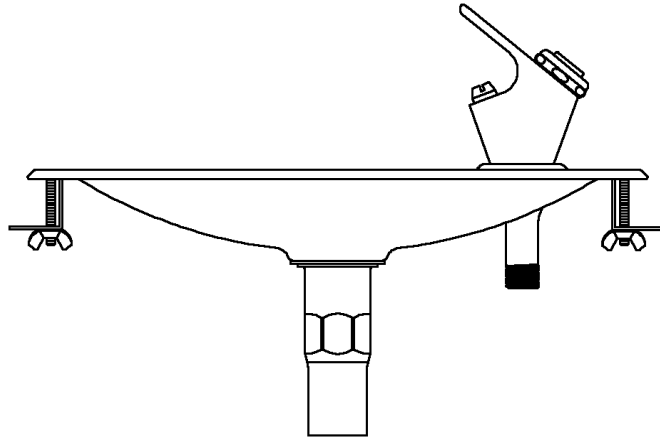


Halsey Taylor Owners Manual

MODEL 10000 FOUNTAIN



INSTALLATION

1. This fountain is to be mounted on a smooth, flat, finished surface, with adequate support structure.
 2. Refer to rough-in for plumbing.
 3. Locate and install trap. (Trap not included).
 4. Install shut-off valve on building water supply. (Shut-off valve not furnished).
 5. Secure fountain using angle clamps and nuts provided.
- CAUTION: This fountain is rated for inlet water pressure of 20-90 PSI. Should the inlet water supply exceed 90 PSI, a pressure reducing regulator should be used.
6. Connect fountain to building supply line by running a water line between the shut-off valve and fountain.
 7. Turn "ON" water supply and check all connections for leaks.
 8. Adjust bubbler stream height. (See instructions below).

TROUBLE SHOOTING & MAINTENANCE

- PROJECTOR:** If mineral deposits build up in the orifice, they can be removed by using a round file or small diameter wire.
- CAUTION:** Care must be taken not to damage orifice assembly.
- STREAM REGULATOR:** Stream height is factory set at 45-50 PSI. If supply pressure varies greatly from this, remove the retaining nut and button (See Fig. 2) from bubbler assembly and adjust the screw on the regulator. Clockwise adjustment will raise stream height and counterclockwise will lower the stream height. A stream height of 1" (25mm) is recommended (See Fig. 1).

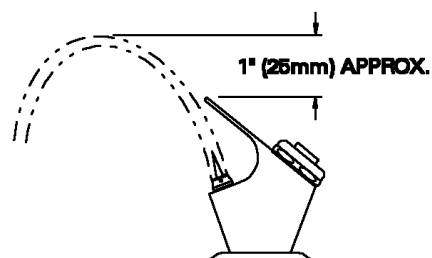
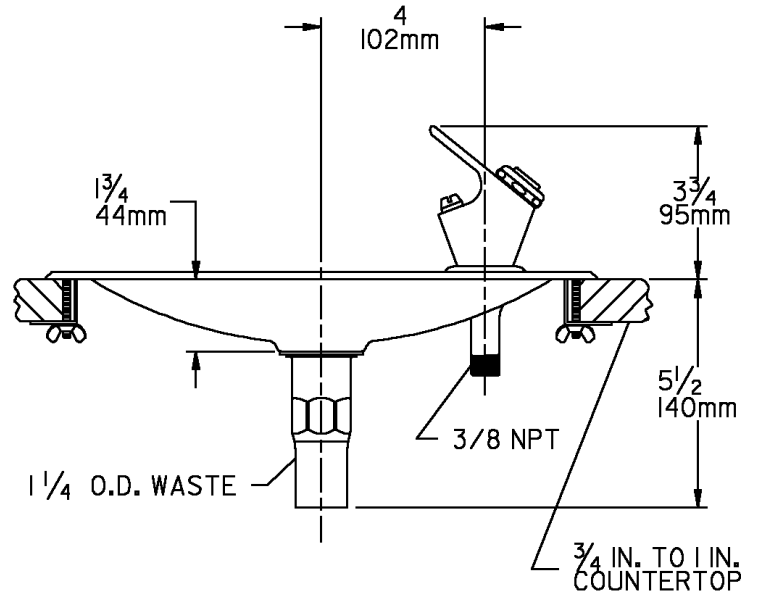
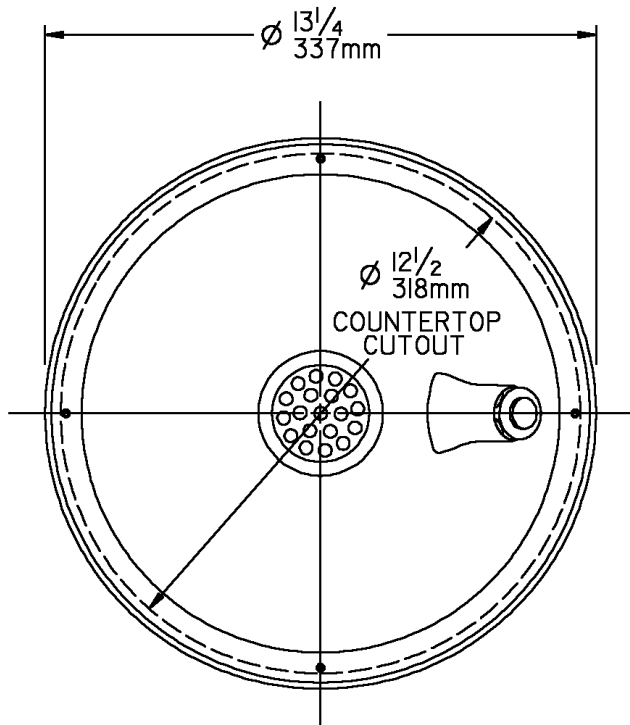


FIG. 1

ROUGH-IN SPECIFICATIONS



ITEMIZED PARTS LIST

1	100322740560	GASKET-BLACK
2	110857443890	WING NUT 10-24
3	160279908640	DRAIN PLUG & TAILPIECE
4	40038C	STRAINER-BEEHIVE CP
5	40619C	FERRULE-TAILPIPE CP
6	50074C	GASKET-TAILPIPE
7	160609216550	NIPPLE-PROJECTOR
8	171010042830	RECEPTOR
9	400857342830	ANGLE CLAMP
10	45657C	FITTING-PROJECTOR MTG.
11	45680C	BUBBLER ASSY
12	A54799	BUBBLER BODY
13	10031C	RETAINING NUT
14	40048C	BUTTON
15	40089C	NUT-COVER
16	40322C	ORIFICE ASSY
17	60291C	SCREEN-SS
18	61313C	REGULATOR

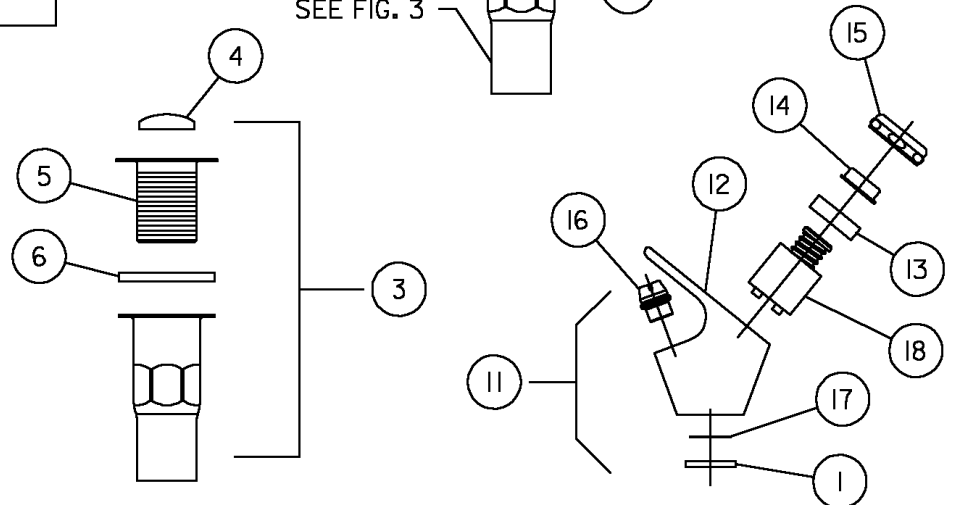
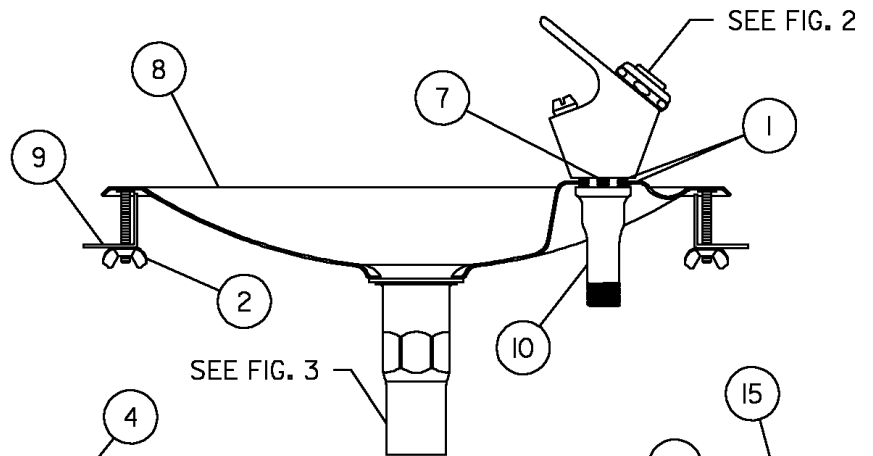


FIG. 3

FIG. 2

Halsey Taylor

2222 CAMDEN COURT
OAK BROOK, IL 60521
630.574.3500
PRINTED IN U.S.A.