

# HALSEY TAYLOR OWNERS MANUAL

USES HFC-134A REFRIGERANT

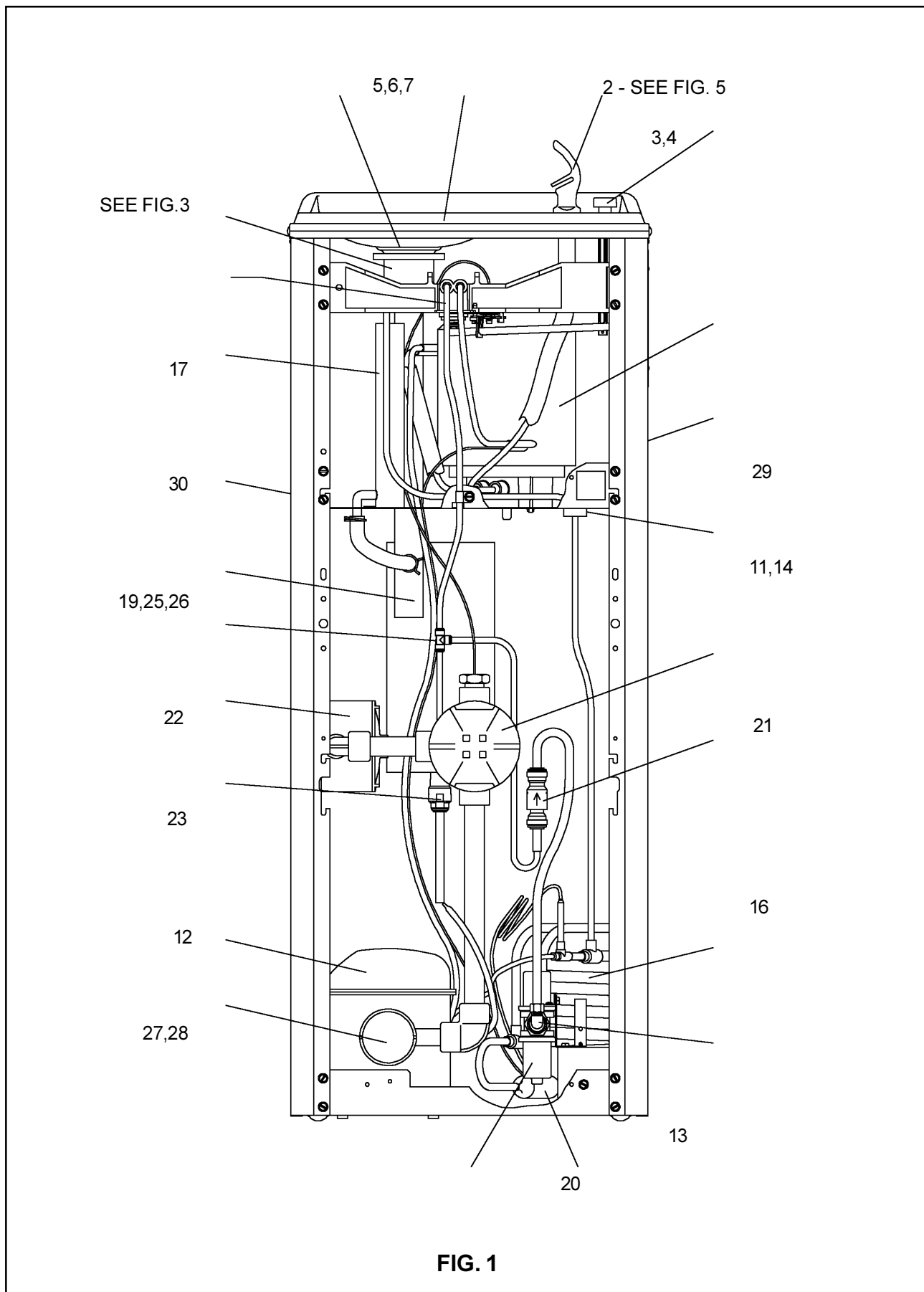
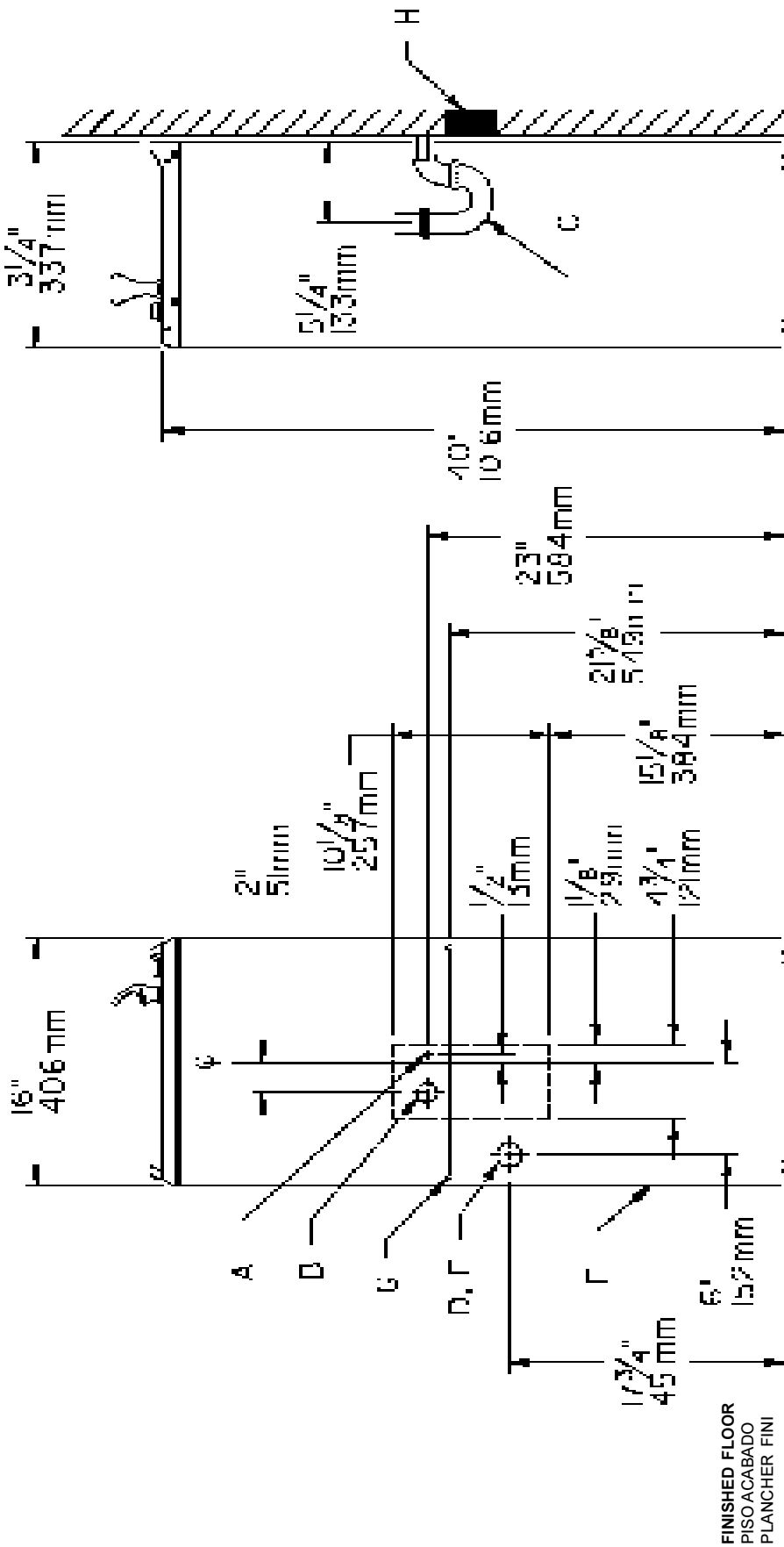


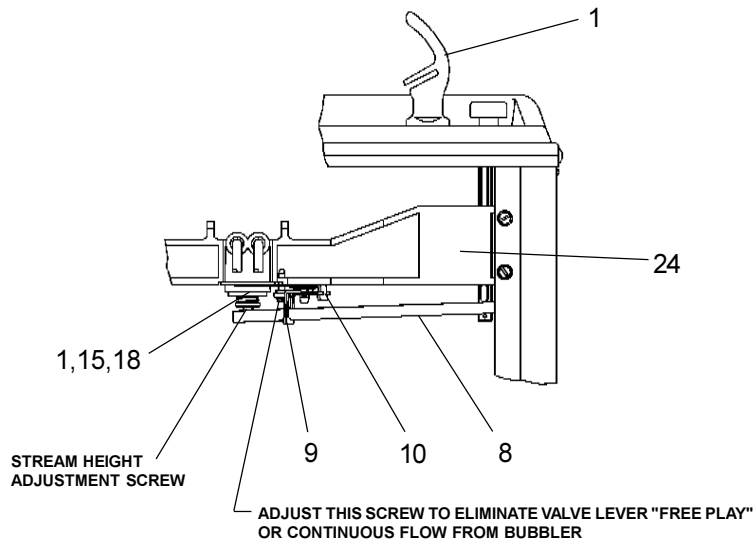
FIG. 1



**FIG. 2**

**LEGEND/LEYENDA/LÉGENDE**  
**A = RECOMMENDED WATER SUPPLY LOCATION 3/8 O.D. UNPLATED COPPER TUBE CONNECT STUB 1-1/2 IN. (38mm) OUT FROM WALL SHUT OFF BY OTHERS**  
 SE RECOMIENDA UBICAR EL TUBO CORTO DE CONEXIÓN AL TUBO DE COBRE SIN CHAPAR DE 3/8" DE DIÁM. EXT. A 1-1/2" (38mm) FUERA DE LA LLAVE DE PASO EN LA PARED COLOCADA POR TERCEROS.  
**B = RECOMMENDED LOCATION FOR WASTE OUTLET 1-1/4" O.D. DRAIN**  
 EMPLACEMENT RECOMMANDÉ D'ALIMENTATION EN EAU PAR TUBE EN CUIVRE NON PLAQUÉ DE 3/8 PO. (9.5 mm) D.E. CONNECTANT UNE TUYAUTERIE DE 1-1/2 PO. (38mm) DEPUIS LE ROBINET D'ARRÊT FOURNI PAR D'AUTRES.  
**C = 1-1/4" TRAP NOT FURNISHED\*\***  
 SIFON 1-1/4 NON FOURNI\*\*  
**D = ELECTRICAL OUTLET LOCATION**  
 UBICACIÓN DE LA TOMA DE ELECTRICIDAD  
 EMPLACEMENT DE LA PRISE DE COURANT  
**E = INSURE PROPER VENTILATION BY MAINTAINING 4" (102mm) (MIN.) CLEARANCE FROM CABINET LOUVERS TO WALL.**  
 ASEGURE UNA VENTILACIÓN ADECUADA MANTENIENDO UN ESPACIO E 4" (102mm) (MIN.) DE HOLGURA ENTRE LA REJILLA DE VENTILACIÓN DEL MUEBLE Y LA PARED  
 ASSUREZ-VOUS UNE BONNE VENTILATION EN GARDANT 4" (102mm) (MIN.) ENTRE LES ÉVÉNENTS DE L'ENCEINTE ET LE MUR.  
**F = POWER CORD 4' (1219mm) LONG**  
 CABLE ELÉCTRICO DE 4' (1219mm) PIE DE LARGO  
 CORDON D'ALIMENTATION 4' (1219mm)  
**G = WALL SCREW HOLES**  
 AGUJEROS DE TORNILLOS DE PARED  
 TROUS DE VIS DU MUR  
**H = 2 X 4 BLOCKING**  
 BLOQUEO DE 2 X 4  
 BLOC 2 X 4

### PUSH BUTTON VALVE ADJUSTMENT



**FIG. 3**

### CONDENSER WATER VALVE ADJUSTMENT

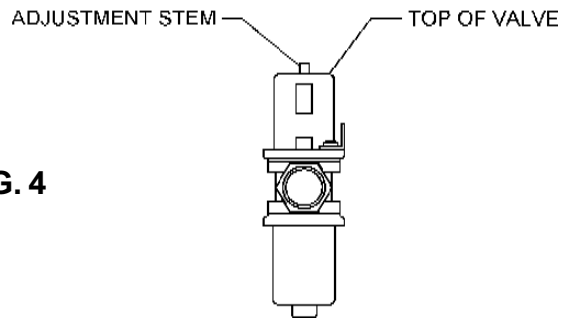
The condenser water valve is factory preset for a condenser water outlet temperature of 95° to 105° F. If actual temperature varies greatly from this, readjust water flow rate at the valve using the following procedures.

**1. START UP COMPRESSOR**

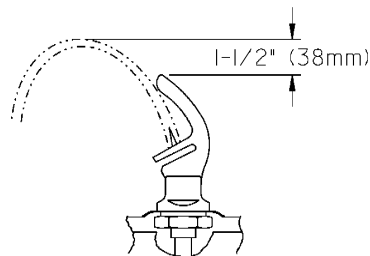
This can be accomplished by depressing the cooler push button (See Fig. 1 - Item 3). Keep water running during the entire readjustment procedure.

**2. ADJUSTMENT CONDENSER WATER VALVE**

Adjust valve by rotating adjustment stem. Rotating stem clockwise will increase water flow. Counterclockwise rotation will decrease water flow. Increasing water flow will result in a lower condenser outlet temperature, while decreasing water flow will result in a higher outlet temperature. Proper adjustment is attained when condenser outlet temperature is 95° to 105° F.



**FIG. 4**



**CORRECT STREAM HEIGHT**

**FIG. 5**

## ITEMIZED PARTS LIST

ITEM NO.	PART NO.	DESCRIPTION
1	15005C	Nut-Regulator Retaining
2	51544C	Bubbler
3	10-15075-31-550	Push Button Stem
4	10-14534-31-640	Cap Push Button
5	10-26399-31-640	Drain Plug
6	16-02705-08-640	Strainer Plate
7	17-14037-42-590	Basin
8	26860C	Regulator Lever
9	26861C	Pivot Bracket
10	26862C	Regulator Retaining Bracket
11	31513C	Cold Control
12	35790C	Compressor
13	40136C	Water Temperature Valve
14	45340C	Electrical Box-Cold Control
15	50986C	Regulator Holder
16	60-14181-51-550	Condenser Assy
17	66327C	Evaporator
18	61314C	Regulator
19	45689C	Tailpipe Assy
20	66202C	Drier
21	75494C	Check Valve
22	55996C	Strainer
23	45347C	Electrical Box-Power Connection
24	55880C	Regulator Mounting Bracket
25	55913C	Adaptor-Drain
26	55885C	Nut 1-1/4 Slip Joint
27	35803C	Relay
28	35797C	Overload
29	401536242830	Panel Side - Right
30	401536342830	Panel Side - Left
NS	401507442830	Panel Front

\*INCLUDES RELAY & OVERLOAD. IF UNDER WARRANTY, REPLACE WITH SAME COMPRESSOR USED IN ORIGINAL ASSEMBLY.

NOTE: All correspondence pertaining to any of the above water coolers or orders for repair parts MUST include Model No. and Serial No. of cooler, name and part number of replacement part.

**Halsey Taylor**<sup>®</sup>  
 2222 CAMDEN COURT  
 OAK BROOK, IL 60523  
 630.574.3500

FOR PARTS, CONTACT YOUR LOCAL DISTRIBUTOR OR CALL 1.800.323.0620