

# Halsey Taylor OWNERS MANUAL

MANUAL DEL PROPIETARIO HALSEY TAYLOR  
MANUEL DE L'UTILISATION HALSEY TAYLOR

WM8CB™ Series Barrier-Free Water Coolers

WM8CB™ La Barrera de la serie Liberta Agua Coolers

WM8CB™ Coolers d'Eau de Barrière-Libère de feuilleton

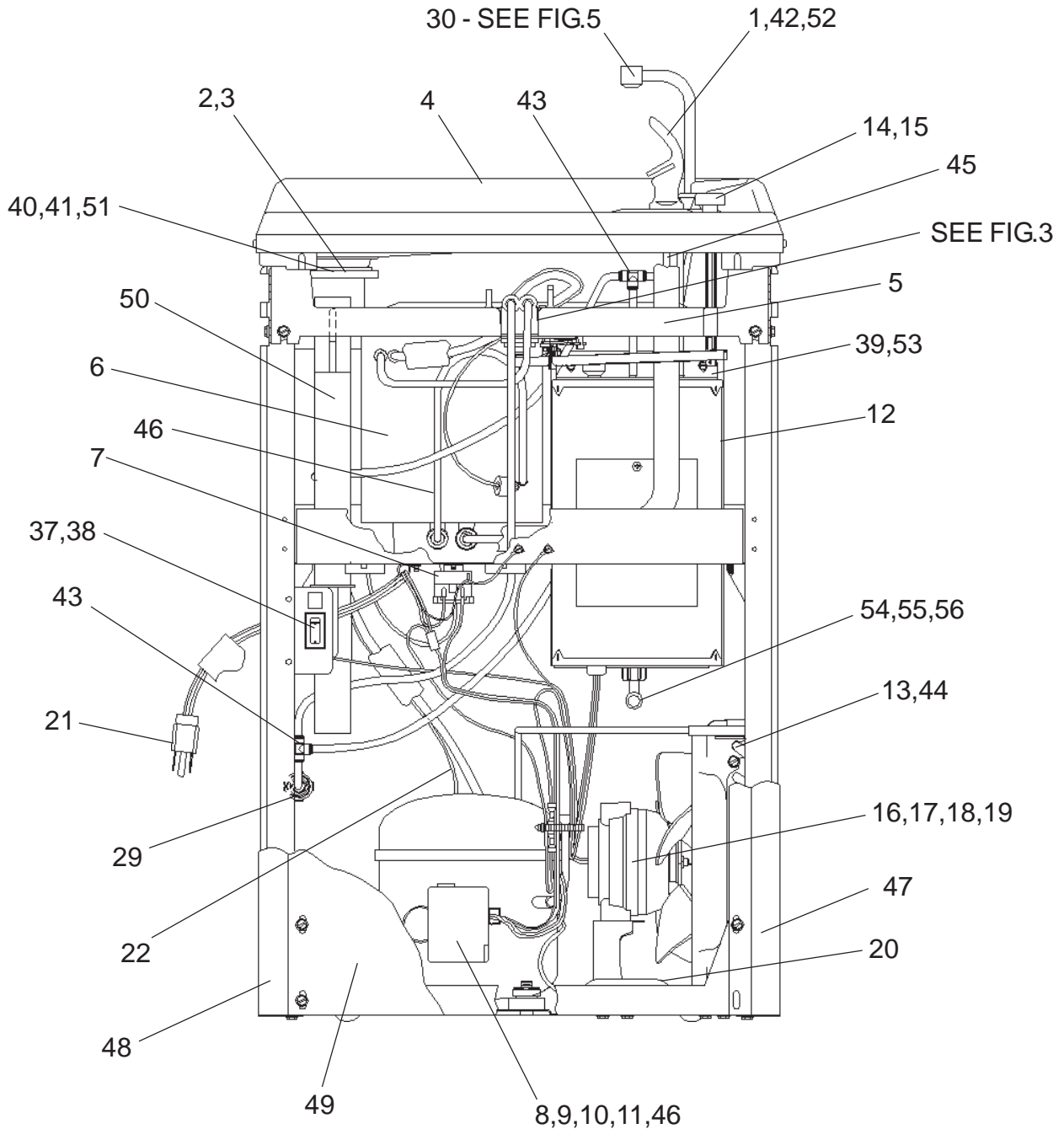
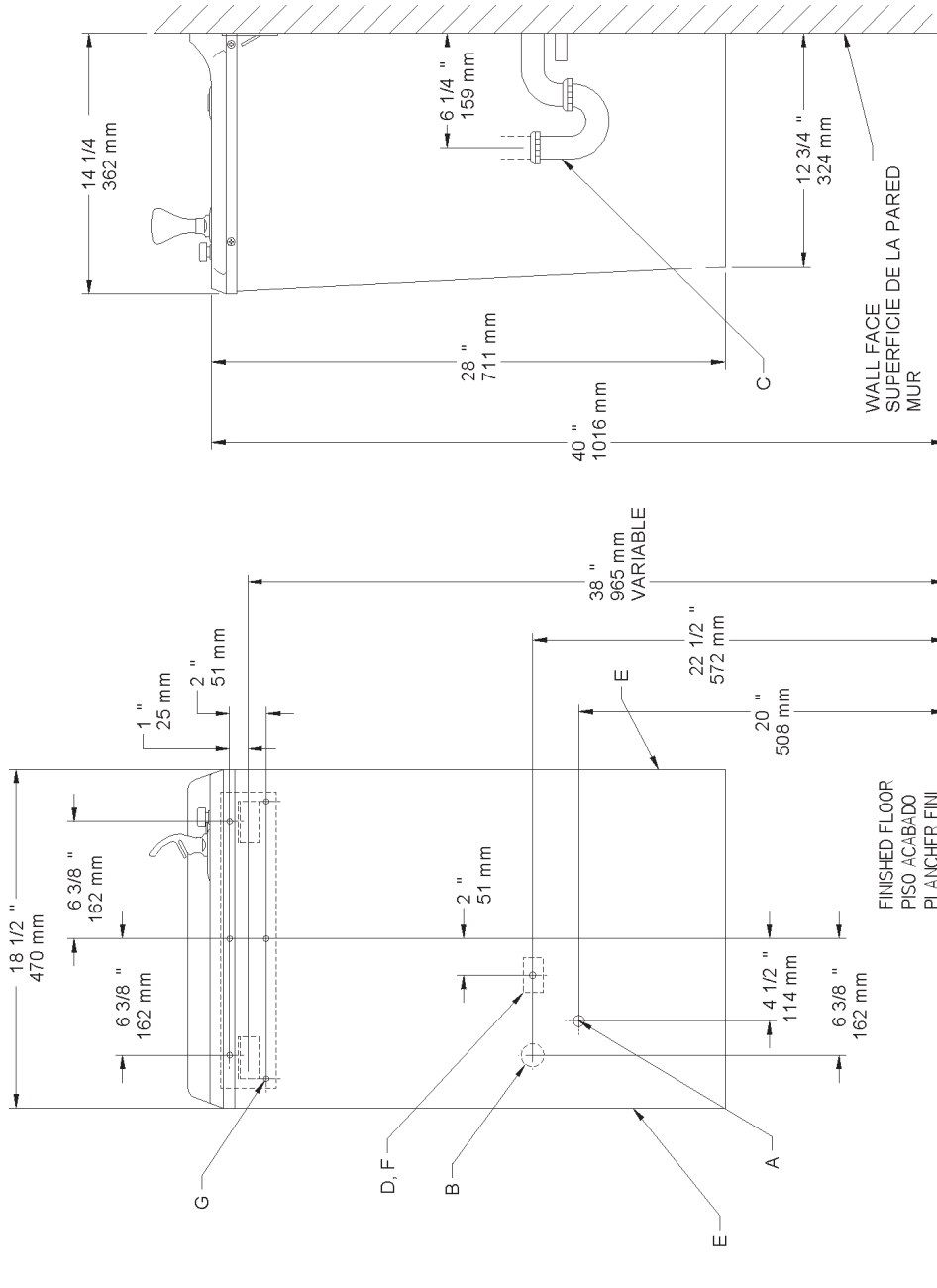


FIG. 1



**FIG. 2**

**LEGEND/LEYENDA/LÉGENDE**  
**A = RECOMMENDED WATER SUPPLY LOCATION 3/8 O.D. UNPLATED COPPER TUBE CONNECT STUB OUT 1-1/2 IN. (38mm) FROM WALL SHUT OFF BY OTHERS**  
 SE RECOMIENDA UBICAR EL TUBO CORTO DE CONEXIÓN AL TUBO DE COBRE SIN CHAPAR DE 3/8" DE DIÁM. EXT. A 1-1/2" (38 mm) FUERA DE LA LLAVE DE PASO EN LA PARED COLOCADA POR TERCEROS.  
 EMPLACEMENT RECOMMANDÉ D'ALIMENTATION EN EAU PAR TUBE EN CUIVRE NON PLAQUÉ DE 3/8 PO. (9.5 mm) D.E. CONNECTANT UNE TUYAUTERIE DE 1-1/2 PO. (38 mm) DEPUIS LE ROBINET D'ARRÊT FOURNI PAR D'AUTRES.

**B = RECOMMENDED LOCATION FOR WASTE OUTLET 1-1/4" O.D. DRAIN**  
 UBICACIÓN RECOMENDADA PARA EL DRENAJE DE SALIDA DE AGUA, DE 1-1/4" DE DIÁMETRO.  
 EMPLACEMENT RECOMMANDÉ POUR LE DRAIN DE D.E. 1-1/4" DE SORTIE D'EAU.  
**C = 1-1/4 TRAP NOT FURNISHED**  
 PURGADOR DE 1-1/4 NO PROPORCIONADO  
 SIPHON 1-1/4 NON FOURNI

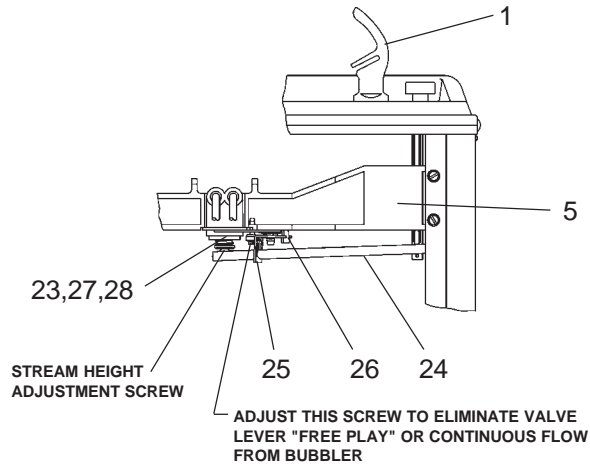
**D = ELECTRICAL OUTLET LOCATION**  
 UBICACIÓN DE LA TOMA DE ELECTRICIDAD  
 EMPLACEMENT DE LA PRISE DE COURANT

**E = INSURE PROPER VENTILATION BY MAINTAINING 4" (102mm) MIN. CLEARANCE FROM CABINET LOUVERS TO WALL.**  
 ASEGURE UNA VENTILACIÓN ADECUADA MANTENIENDO UN ESPACIO E 4" (102mm) MIN. DE HOLGURA ENTRE LA REJILLA DE VENTILACIÓN DEL MUEBLE Y LA PARED  
 ASSUREZ-VOUS UNE BONNE VENTILATION EN GARDANT 4" (102mm) MIN. ENTRE LES ÉVENTS DE L'ENCEINTE ET LE MUR.

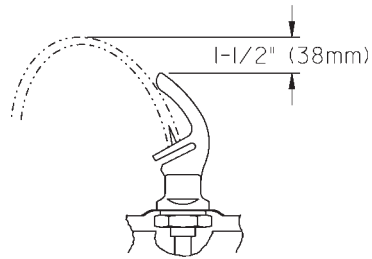
**F = POWER CORD 4' (1219mm) LONG**  
 CABLE ELÉCTRICO DE 4' (1219mm), DE LARGO  
 CORDON D'ALIMENTATION 4' (1219mm)

**G = 1/4" (6mm) SCREW HOLES IN MOUNTING PLATE**  
 AGUJEROS DE TORNILLO 1/4" (6mm) EN LA PLACA DE MONTAJE  
 TROUS DE VIS 1/4" (6mm) DANS LA PLAQUE DE MONTAGE

### PUSH BUTTON VALVE ADJUSTMENT



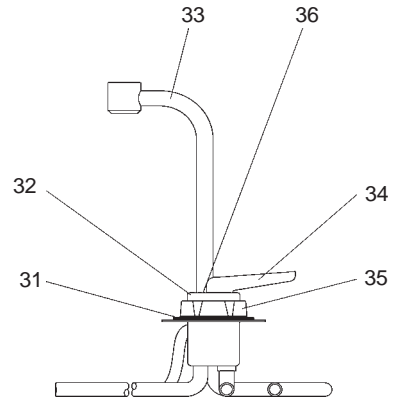
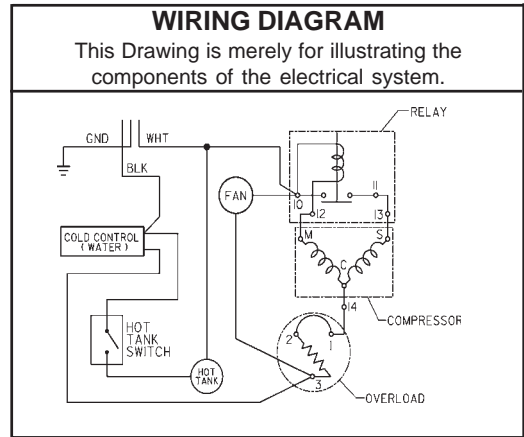
**FIG. 3**



**CORRECT STREAM HEIGHT**

**FIG. 4**

ITEMIZED PARTS LIST		
ITEM NO.	PART NO.	DESCRIPTION
1	51544C	Bubbler
2	102639931640	Drain Plug
3	160270508640	Strainer Plate
4	401472642590	Basin
5	55860C	Bracket - Regulator Mounting
6	66534C	Evaporator
7	31513C	Cold Control
*8	36094C	Compressor Serv. Pak
9	36158C	Overload
	35959C	Relay
10	28509C	Condenser/Fan mtg. Bracket
11	35768C	Relay Cover
12	36204C	Hot Tank Assembly
13	66743C	Condenser
14	101453431640	Cap Push Button
15	101507531550	Push Button Stem
16	31490C	Fan Motor
17	30664C	Fan Blade
18	70018C	Fan Blade Nut
19	20282C	Fan Motor Bracket
20	66703C	Drier
21	36137C	Power Cord
22	66576C	Heat Exchanger
23	15005C	Regulator Retaining Nut
24	26860C	Regulator Lever
25	26861C	Pivot Bracket
26	26862C	Regulator Retaining Bracket
27	50986C	Regulator Holder
28	61314C	Regulator
29	55996C	Strainer
30	45820C	Hot Valve
31	33659000	Gasket - Body
32	40596C	Shroud
33	40597C	Gooseneck
34	51543C	Lever Handle
35	70921C	Mounting Nut
36	92712C	Stem Assy
37	28427C	Hot Tank Switch Bracket
38	36101C	Hot Tank Switch
39	28440C	Bracket - Hot tank Mounting
40	75588C	Nut - Slip Joint 1-1/4
41	55913C	Adaptor - Drain
42	56159C	Nipple - Bubbler
43	70682C	Tee - 1/4
44	56237C	Fan Shroud
45	56092C	Poly Tubing (Cut To Length)
46	66723C	Tube - Evap to base
47	See Color Table	Panel - Side Right
48	See Color Table	Panel - Side Left
49	See Color Table	Panel - Front
50	45448C	Tailpipe / Vacuum Break Assy
51	100147140560	Drain Gasket
52	100322740560	Bubbler Gasket
53	28438C	Bracket - Hold Down
54	75666C	Nut - 5/16" Compression
55	66736C	Tube - Drain 5/16" to 1/4"
56	70606C	Plug - Drain
NS	400660943730	Hanger Bracket



**FIG. 5**

\*INCLUDES RELAY & OVERLOAD. IF UNDER WARRANTY, REPLACE WITH SAME COMPRESSOR USED IN ORIGINAL ASSEMBLY. NOTE: All correspondence pertaining to any of the above water coolers or orders for repair parts MUST include Model No. and Serial No. of cooler, name and part number of replacement part.

COLOR	RIGHT PANEL ITEM 47	LEFT PANEL ITEM 48	FRONT PANEL ITEM 49
Platinum (PV)	401484048410	401483948410	401432248410
Almond (AV)	26879C	26878C	26874C
Slate (SV)	401484048440	401483948440	401432248440
Stainless Steel (SS)	401484042830	401483942830	401432242830

**Halsey Taylor**  
 2222 CAMDEN COURT  
 OAK BROOK, IL 60523  
 630.574.3500

PRINTED IN U.S.A.

FOR PARTS CONTACT YOUR LOCAL DISTRIBUTOR OR VISIT OUR WEBSITE [WWW.HALSEYTAYLOR.COM](http://WWW.HALSEYTAYLOR.COM)