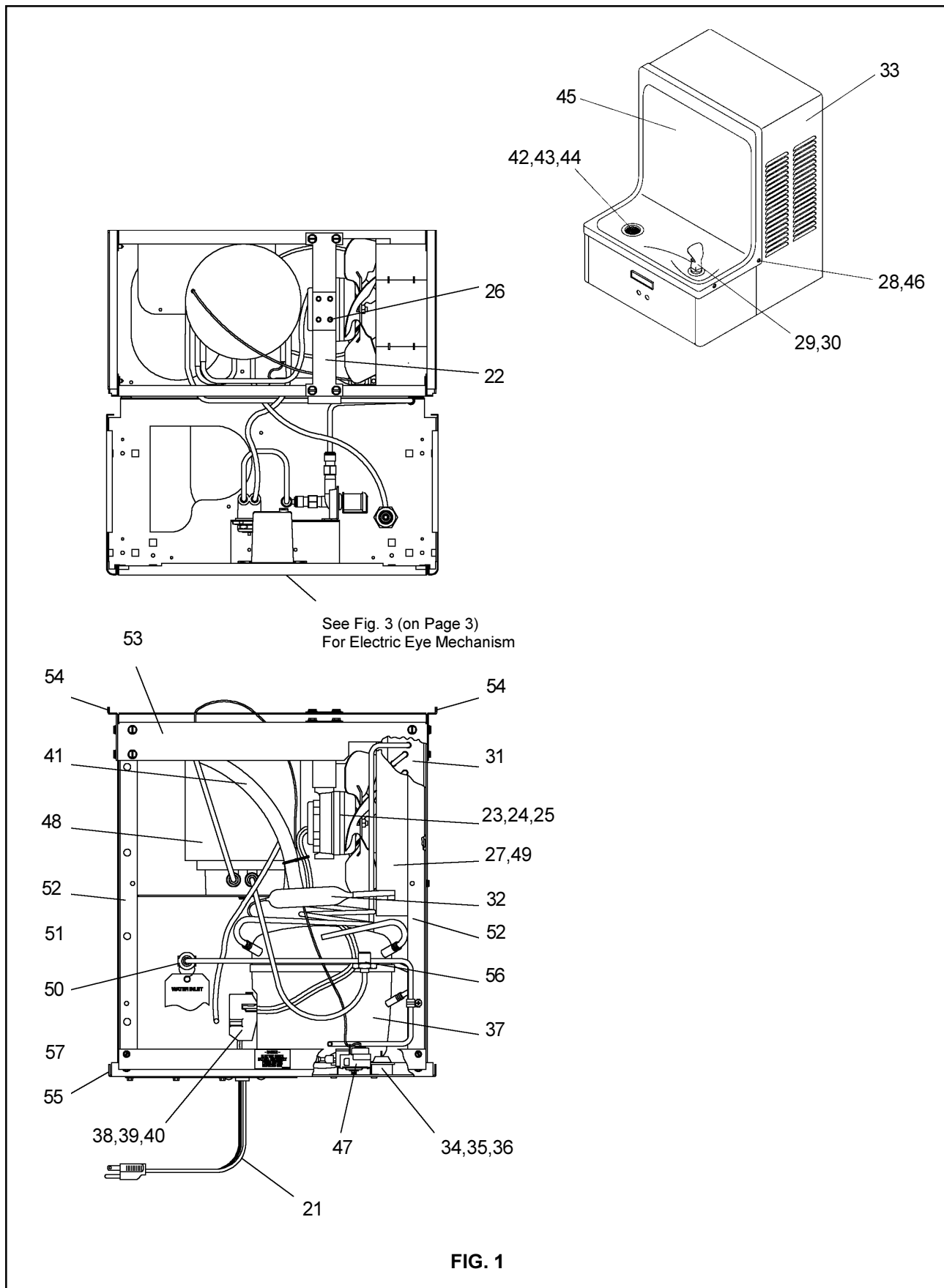


Halsey Taylor Owners Manual

USES HFC-134A REFRIGERANT



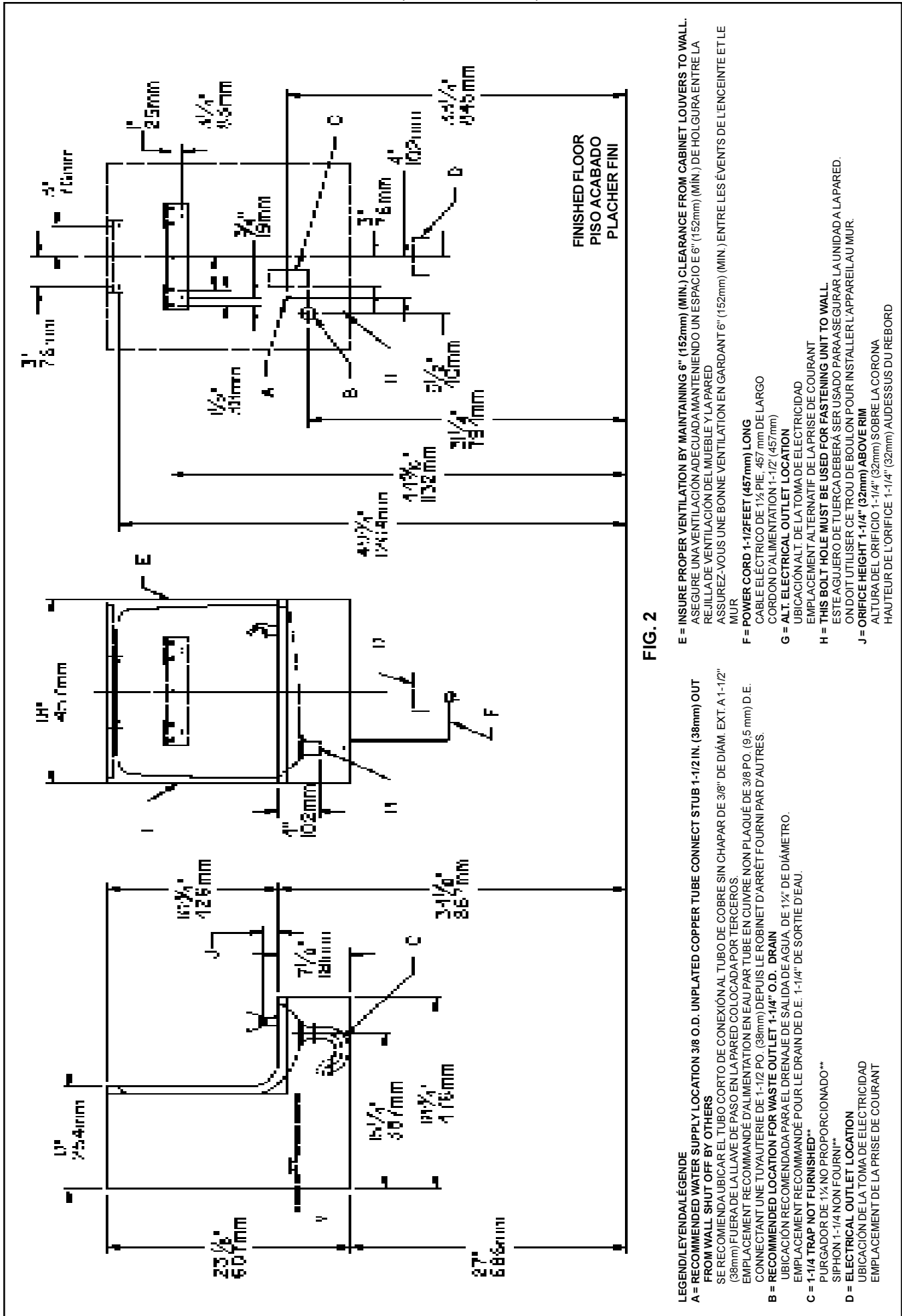


FIG. 2

E = INSURE PROPER VENTILATION BY MAINTAINING 6" (152mm) (MIN.) CLEARANCE FROM CABINET LOUVERS TO WALL.
 ASEGURE UNA VENTILACIÓN ADECUADA MANTENIENDO UN ESPACIO E 6" (152mm) (MIN.) DE HOLGURA ENTRE LA REJILLA DE VENTILACIÓN DEL MUEBLE Y LA PARED.
 ASSUREZ-VOUS UNE BONNE VENTILATION EN GARDANT 6" (152mm) (MIN.) ENTRE LES ÉVÉNENTS DE L'ENCEINTE ET LE MUR.

F = POWER CORD 1-1/2FEET (457mm) LONG
 CABLE ELÉCTRICO DE 1½ PIE. 457 mm DE LARGO
 CORDON D'ALIMENTATION 1-1/2' (457mm)

G = ALT. ELECTRICAL OUTLET LOCATION
 UBICACION ALT. DE LA TOMA DE ELECTRICIDAD
 EMPLACEMENT ALTERNATIF DE LA PRISE DE COURANT

H = THIS BOLT HOLE MUST BE USED FOR FASTENING UNIT TO WALL.
 ESTE AGUJERO DE TUERCA DEBERÁ SER USADO PARA ASEGURAR LA UNIDAD A LA PARED.
 ON DOIT UTILISER CE TROU DE BOULON POUR INSTALLER L'APPAREIL AU MUR.

J = ORIFICE HEIGHT 1-1/4" (32mm) ABOVE RIM
 ALTURA DEL ORIFICIO 1-1/4" (32mm) SOBRE LA CORONA
 HAUTEUR DE L'ORIFICE 1-1/4" (32mm) AU DESSUS DU REBORD

LEGEND/LEYENDA/LÉGENDE

A = RECOMMENDED WATER SUPPLY LOCATION 3/8 O.D. UNPLATED COPPER TUBE CONNECT STUB 1-1/2 IN. (38mm) OUT FROM WALL. SHUT OFF BY OTHERS
 SE RECOMIENDA UBICAR EL TUBO CORTO DE CONEXIÓN AL TUBO DE COBRE SIN CHAPAR DE 3/8" DE DIÁM. EXT. A 1-1/2" (38mm) FUERA DE LA Llave DE PASO EN LA PARED COLOCADA POR TERCEROS.
 EMPLACEMENT RECOMMANDÉ D'ALIMENTATION EN EAU PAR TUBE EN CUIVRE NON PLAQUÉ DE 3/8 PO. (9.5 mm) D.E. CONNECTANT UNE TUYAUTERIE DE 1-1/2 PO. (38mm) DEPUIS LE ROBINET D'ARRÊT FOURNI PAR D'AUTRES.

B = RECOMMENDED LOCATION FOR WASTE OUTLET 1-1/4" O.D. DRAIN
 UBICACIÓN RECOMENDADA PARA EL DRENAJE DE SALIDA DE AGUA, DE 1½" DE DIÁMETRO.
 EMPLACEMENT RECOMMANDÉ POUR LE DRAIN DE D.E. 1-1/4" DE SORTIE D'EAU.

C = 1-1/4" TRAP NOT FURNISHED**
 PURGADOR DE 1½" NO PROPORCIONADO**

D = SIPHON 1-1/4" NON FOURNI**
 SIFÓN 1-1/4" NON FOURNI**

E = ELECTRICAL OUTLET LOCATION
 UBICACIÓN DE LA TOMA DE ELECTRICIDAD
 EMPLACEMENT DE LA PRISE DE COURANT

ELECTRIC EYE MECHANISM

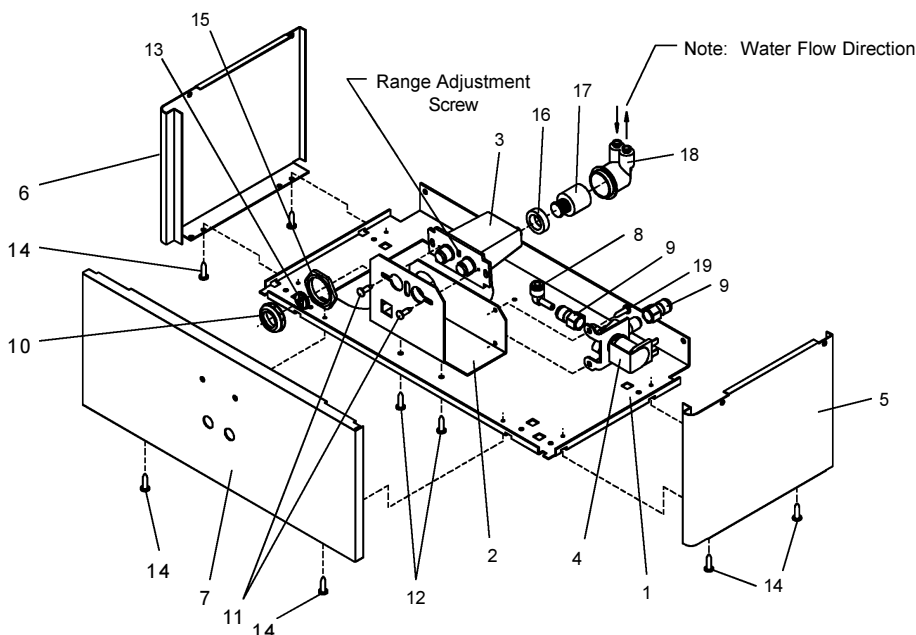


FIG. 3

Sensor Control: If sensor fails to operate valve mechanism or operates erratically, check the following.
 a. Ensure there are no obstructions within a 40-inch radius from front of cooler.
 b. Check wire connections at solenoid valve and sensor.
CAUTION: Make sure unit is unplugged before checking any wiring.
 c. Ensure proper operation of solenoid valve. If there is an audible clicking sound yet no water flows, look for an obstruction in the valve itself or elsewhere in the water supply line.

Sensor Range Adjustment: The electronic sensor used in this cooler is factory pre-set for a "visual" range of 36 inches. If actual range varies greatly from this, or a different setting is desired, follow the range adjustment procedure below:
 a. Remove front panel of cooler.
 b. Using a small tip screwdriver, rotate range adjustment screw clockwise to increase range and counter-clockwise to decrease range. (See Fig. 3).
CAUTION: Complete range of sensor (24-48 inches) is only one turn of the adjusting screw.
 c. Replace the front panel.

HANGER BRACKETS & TRAP INSTALLATION

- 1) Remove hanger bracket fastened to back of cooler by removing one (1) screw.
 - 2) Mount the hanger bracket and trap as shown in Figure 2.
NOTE: Hanger Bracket **MUST** be supported securely. Add fixture support carrier if wall will not provide adequate support.
- IMPORTANT:**
- 7-3/4 in. (197mm) dimension from wall to centerline of trap must be maintained for proper fit.
 - Anchor hanger securely to wall using all six (6) 1/4 in. dia. mounting holes.
- 3) Install straight valve for 3/8" O.D. unplated copper tube.

INSTALLATION OF COOLER

- 4) Hang the cooler on the hanger bracket. Be certain the hanger bracket is engaged properly in the slots on the cooler back as shown in Figure 2.
- 5) Loosen the two (2) screws holding the lower front panel at the bottom of cooler base and two (2) screws at the top. Remove the front panel and set aside.
- 6) Connect water inlet line--See Note 4 of General Instructions.
- 7) Remove the slip nut and gasket from the trap and install them on the cooler waste line making sure that the end of the waste line fits into the trap. Assemble the slip nut and gasket to the trap and tighten securely.

START UP

Also See General Instructions

- 8) Stream height is factory set at 35 PSI. If supply pressure varies greatly from this, adjust screw, accessible by removing front panel (Item 7, Fig. 3). CW adjustment will raise stream and CCW adjustment will lower stream. For best adjustment, stream should hit basin approximately 6-1/2" (165mm) from bubbler.
- 9) Replace the front panel and secure by retightening four (4) screws.

ITEM NO.	PART NO.	DESCRIPTION
1	26588C	Panel - Bottom Dispenser
2	26866C	Bracket - Valve Mounting
3	31516C	Sensor - Clear (115v)
	35783C	Sensor - Clear (230v)
4	31272C	Solenoid Valve (115v)
	35784C	Solenoid Valve (230v)
5	See Color Table	Panel - Right Side
6	See Color Table	Panel - Left Side
7	See Color Table	Panel - Front
8	70817C	Elbow 1/4 Stem x 1/4 O.D.
9	75507C	Fitting 1/4 NPTF x 1/4 O.D.
10	40116C	Nut - Cover (unplated)
11	70644C	Screw #6-32 x 1/2 Lg PHMS
12	75497C	Screw #10 x 1/2 Lg PHSM
13	70254C	Clip
14	70864C	Screw #8 x 5/8 Lg Torx/Slotted
15	40045C	Hex Nut
16	15005C	Regulator Retaining Nut
17	61314C	Regulator
18	50986C	Regulator Holder
19	70002C	Screw #10 x 1/2 Lg HHSM

COLOR TABLE

PANEL COLOR	Item No. 5 Part No.	Item No. 6 Part No.	Item No. 7 Part No.
Platinum Vinyl	26644C	26614C	26740C
Stainless Steel	26637C	26607C	26733C
Almond Vinyl	26636C	26606C	26732C
Slate Vinyl	26646C	26616C	26742C

PARTS LIST 115V

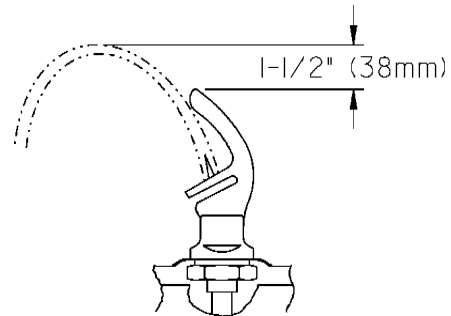
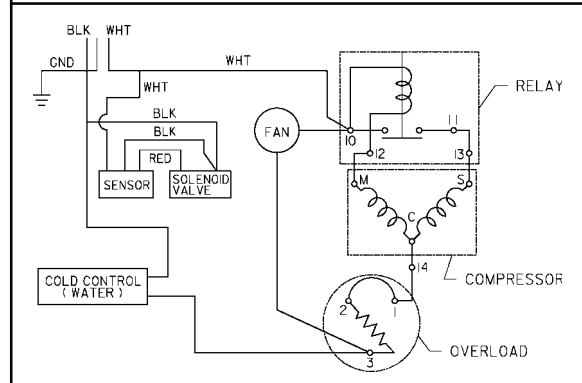
ITEM NO.	PART NO.	DESCRIPTION
21	31483C	Power Cord
22	27095C	Fan Bracket
23	30699C	Fan Blade
24	70018C	Hex Nut - Fan Blade
25	31490C	Fan Motor
26	70009C	Screw - #8-36 x 3/8" Lg. (Fan Motor)
27	50186C	Shroud - Fan
28	70241C	Clip (Front and Rear Panels)
29	51544C	Bubbler - Chrome
30	10-03227-40-560	Gasket - Bubbler (upper and lower)
31	62152C	Condenser
32	66202C	Drier
33	26680C	Wrapper - Platinum
	26682C	Wrapper - Slate
	22707C	Wrapper - Almond
	22708C	Wrapper - Stainless Steel
34	50144C	Grommet - Compressor Mtg.
35	70184C	Hair Pin - Cotter
36	70150C	Washer
37*	35767C	Compressor Serv. Pak FF7.5HBK
37a*	35947C	Compressor Serv. Pak EM65
38	19-42439-01-550	Cover - Electrical Shield (Overload)
39	31025C	Overload/Relay 1.350.358
39a	31039C	Overload/Relay P600B/427NFBYY
40	35766C	Cover - Relay
40a	35768C	Cover - Relay
41	66223C	Heat Exchanger
41a	66501C	Heat Exchanger
42	40572C	Tailpipe
43	40575C	Strainer Assy - Basin
44	50074C	Gasket - Tailpipe
45	26664C	Basin - Stainless Steel
46	70208C	Screw - Basin Mtg.
47	31513C	Cold Control
48	62220C	Evaporator Assembly
49	70002C	Screw - #10 x 1/2" Lg. HHSM
50	55996C	Strainer
51	70772C	Drain Plug
52	27093C	Angle - Front Corner
53	27094C	Bracket - Front Support
54	27096C	Bracket - Basin Mounting
55	27097C	Frame - Back/Bottom
56	10079C	Nipple - Bubbler
57a	35935C	Capacitor - Run

PARTS LIST 230V

ITEM NO.	PART NO.	DESCRIPTION
25	31430C	Fan Motor
37*	35763C	Compressor Serv. Pak
39	31024C	Overload/Relay
40	35769C	Cover - Relay
41	66249C	Heat Exchanger

WIRING DIAGRAM

This Drawing is merely for illustrating the components of the electrical system.



CORRECT STREAM HEIGHT

FIG. 4

*INCLUDES RELAY & OVERLOAD. IF UNDER WARRANTY, REPLACE WITH SAME COMPRESSOR USED IN ORIGINAL ASSEMBLY.

NOTE: All correspondence pertaining to any of the above water coolers or orders for repair parts MUST include Model No. and Serial No. of cooler, name and part number of replacement part.

Halsey Taylor

2222 CAMDEN COURT
OAK BROOK, IL 60523
630.574.3500

PRINTED IN U.S.A.

FOR PARTS, CONTACT YOUR LOCAL DISTRIBUTOR OR CALL 1.800.323.0620