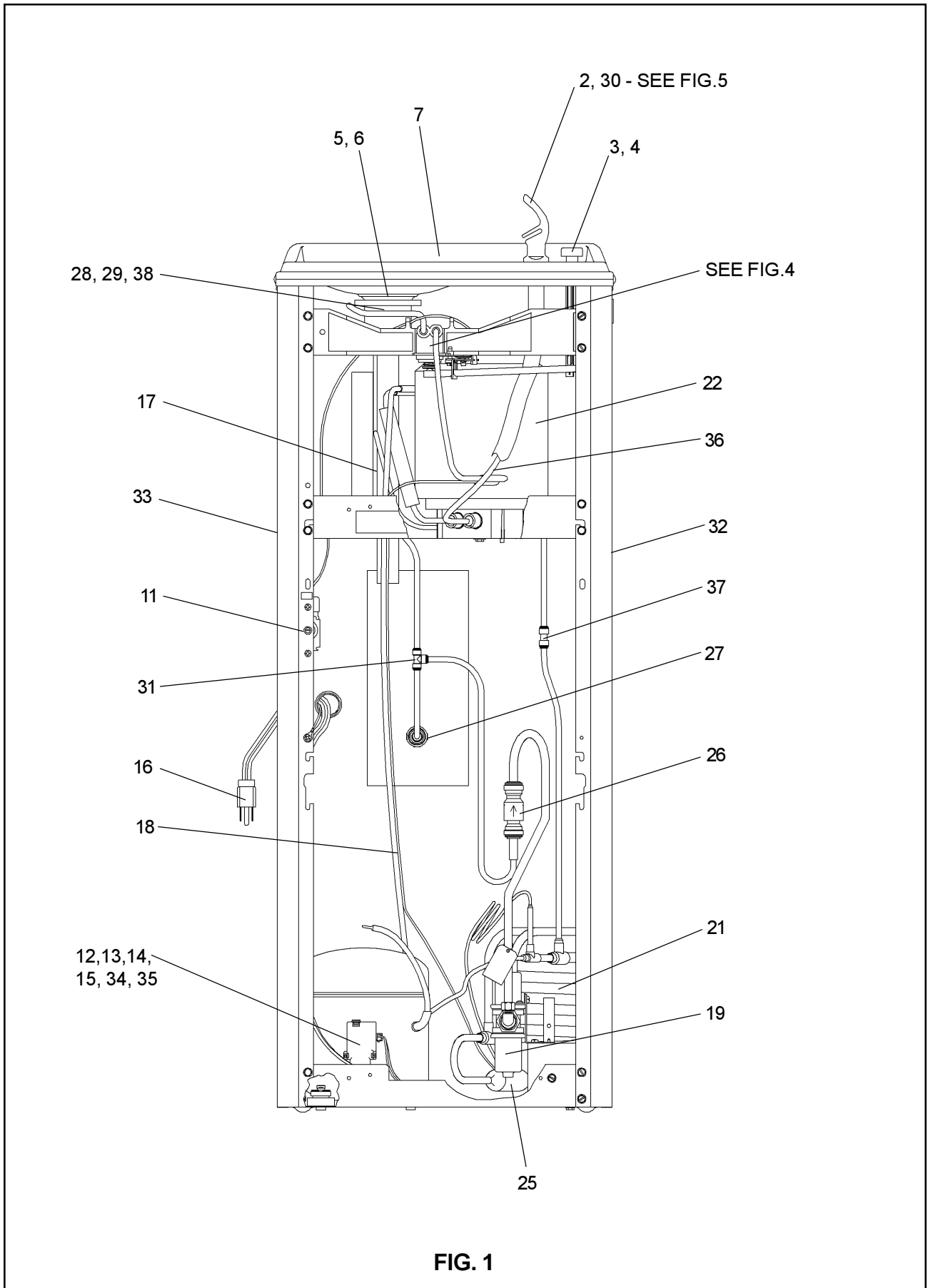


# HALSEY TAYLOR OWNERS MANUAL

USES HFC-134A REFRIGERANT



**FIG. 1**

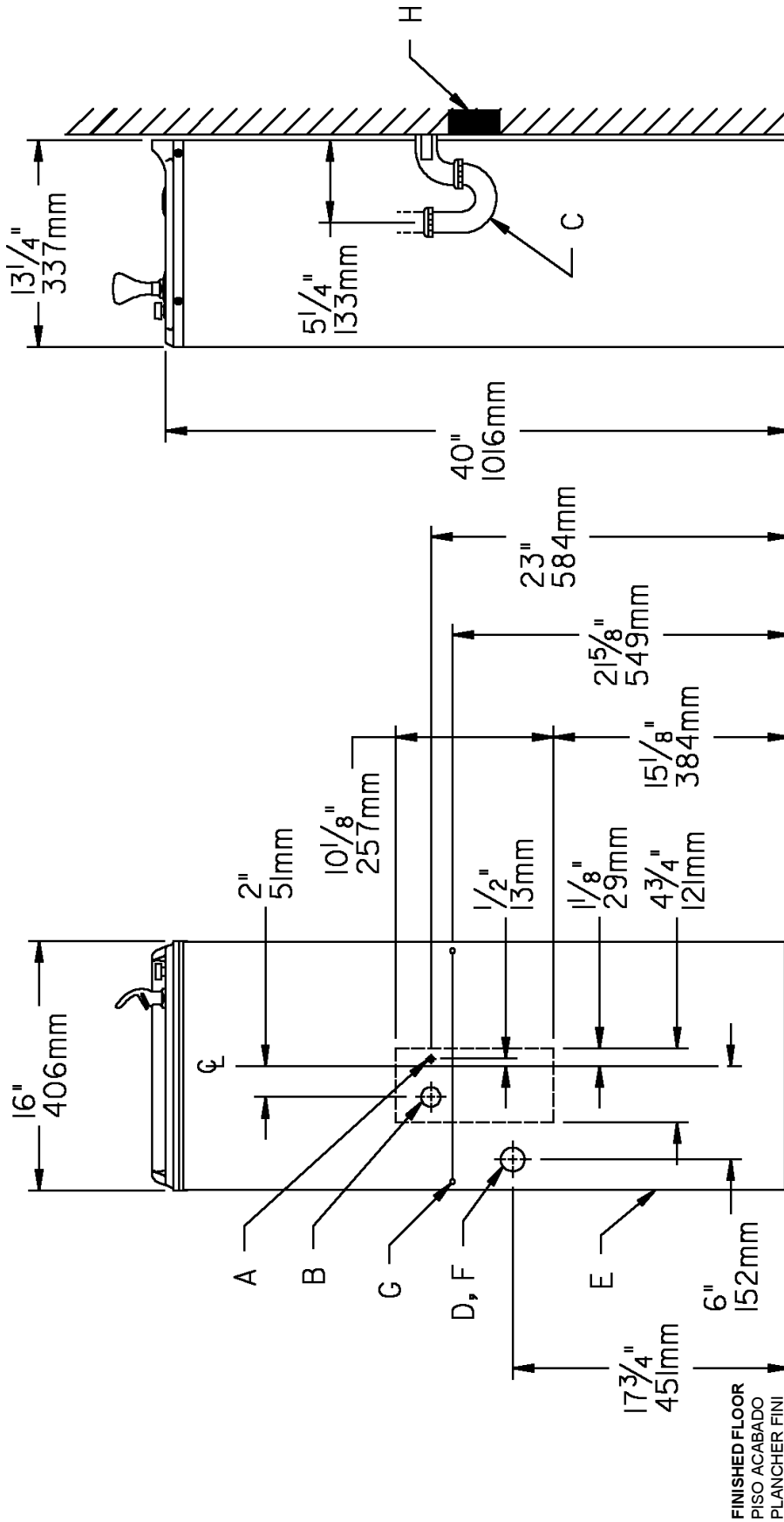
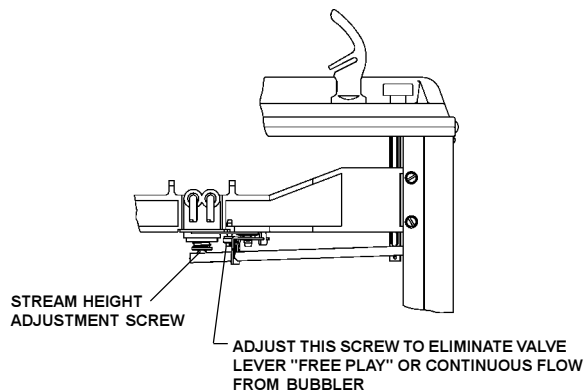


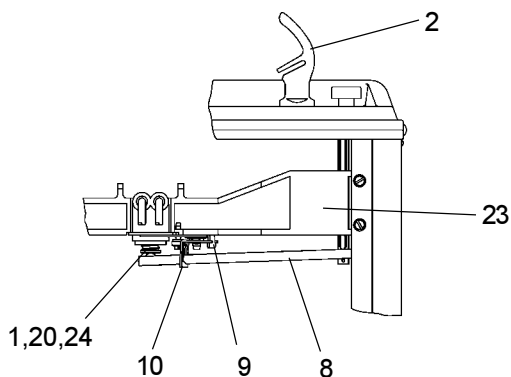
FIG. 2

- LEGEND/LEYENDA/LÉGENDE**
- A = RECOMMENDED WATER SUPPLY LOCATION 3/8 O.D. UNPLATED COPPER TUBE CONNECT STUB OUT 1-1/2 IN. (38mm)**  
 FROM WALL SHUT OFF BY OTHERS  
 SE RECOMIENDA UBICAR EL TUBO CORTO DE CONEXIÓN AL TUBO DE COBRE SIN CHAPAR DE 3/8" DE DIÁM. EXT. A 1-1/2" (38 mm) FUERA DE LA LLAVE DE PASO EN LA PARED COLOCADA POR TERCEROS.  
 EMPLACEMENT RECOMMANDÉ D'ALIMENTATION EN EAU PAR TUBE EN CUIVRE NON PLAQUÉ DE 3/8 PO. (9.5 mm) D.E. CONNECTANT UNE TUYAUTERIE DE 1-1/2 PO. (38 mm) DEPUIS LE ROBINET D'ARRÊT FOURNI PAR D'AUTRES.
- B = RECOMMENDED LOCATION FOR WASTE OUTLET 1-1/4" O.D. DRAIN**  
 UBICACIÓN RECOMENDADA PARA EL DRENAJE DE SALIDA DE AGUA, DE 1 1/4" DE DIÁMETRO.  
 EMPLACEMENT RECOMMANDÉ POUR LE DRAIN DE D.E. 1-1/4" DE SORTIE D'EAU.
- C = 1-1/4" TRAP NOT FURNISHED**  
 PURGADOR DE 1 1/4" NO PROPORCIONADO  
 SIPHON 1-1/4" NON FOURNI
- D = ELECTRICAL OUTLET LOCATION**  
 UBICACIÓN DE LA TOMA DE ELECTRICIDAD  
 EMPLACEMENT DE LA PRISE DE COURANT
- E = INSURE PROPER VENTILATION BY MAINTAINING 4" (102mm) (MIN.) CLEARANCE FROM CABINET LOUVERS TO WALL.**  
 ASEGURE UNA VENTILACIÓN ADECUADA MANTENIENDO UN ESPACIO E 4" (102mm) (MIN.) DE HOLGURA ENTRE LA REJILLA DE VENTILACIÓN DEL MUEBLE Y LA PARED.  
 ASSUREZ-VOUS UNE BONNE VENTILATION EN GARDANT 4" (102mm) (MIN.) ENTRE LES ÉVÉNENTS DE L'ENCEINTE ET LE MUR.
- F = POWER CORD 4' (1219mm) LONG**  
 CABLE ELÉCTRICO DE 4' (1219mm) PIE DE LARGO  
 CORDON D'ALIMENTATION 4' (1219mm)
- G = WALL SCREW HOLES**  
 AGUJEROS DE TORNILLOS DE PARED  
 TROUS DE VIS DU MUR
- H = 2 X 4 BLOCKING**  
 BLOQUEO DE 2 X 4  
 BLOC 2 X 4

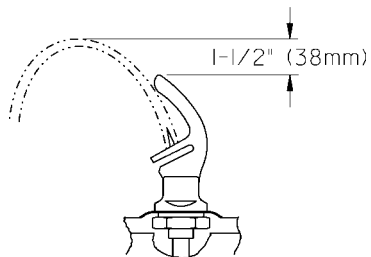
### PUSH BUTTON VALVE ADJUSTMENT



**FIG. 3**



**FIG. 4**

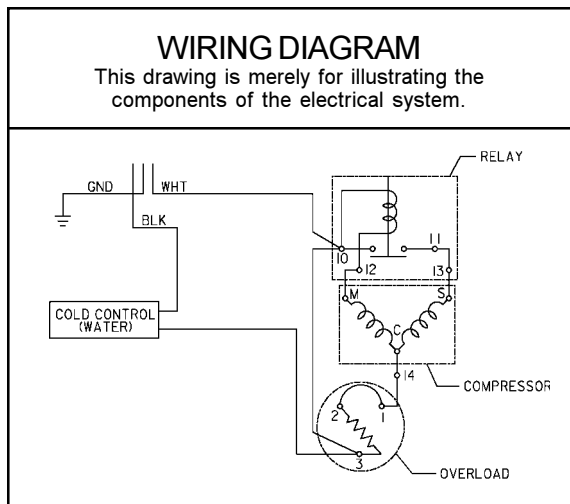


**CORRECT STREAM HEIGHT**

**FIG. 5**

ITEMIZED PARTS LIST

| ITEM NO. | PART NO.        | DESCRIPTION                 |
|----------|-----------------|-----------------------------|
| 1        | 15005C          | Nut-Regulator Retaining     |
| 2        | 51544C          | Bubbler                     |
| 3        | 101507531550    | Push Button Stem            |
| 4        | 101453431640    | Cap Push Button             |
| 5        | 102639931640    | Drain Plug                  |
| 6        | 160270508640    | Strainer Plate              |
| 7        | 28346C          | Basin                       |
| 8        | 26860C          | Regulator Lever             |
| 9        | 26861C          | Pivot Bracket               |
| 10       | 26862C          | Regulator Retaining Bracket |
| 11       | 31513C          | Cold Control                |
| 12*      | 35775C          | Compressor Service Pak      |
| 13       | 35840C          | Overload                    |
| 14       | 35768C          | Relay Cover                 |
| 15       | 194243901550    | Electrical Shield           |
| 16       | 35887C          | Power Cord                  |
| 17**     | 45696C          | Tailpipe Assy               |
| 18       | 66581C          | Heat Exchanger              |
| 19       | 40136C          | Water Temperature Valve     |
| 20       | 50986C          | Regulator Holder            |
| 21       | 45394C          | Condenser Assy              |
| 22       | 66506C          | Evaporator                  |
| 23       | 55880C          | Regulator Mounting Bracket  |
| 24       | 61314C          | Regulator                   |
| 25       | 66203C          | Drier                       |
| 26       | 75494C          | Check Valve                 |
| 27       | 55996C          | Strainer                    |
| 28       | 55913C          | Adaptor-Drain W/O Holes     |
| 29       | 75588C          | Nut - Slip Joint 1-1/4      |
| 30       | 56159C          | Nipple - Bubbler            |
| 31       | 70682C          | Tee - 1/4                   |
| 32       | See Color Table | Side Panel - Right          |
| 33       | See Color Table | Side Panel - Left           |
| 34       | 35843C          | Relay                       |
| 35       | 35844C          | Capacitor                   |
| 36       | 56092C          | Poly Tubing (Cut To Length) |
| 37       | 70683C          | Union - 1/4                 |
| 38       | 75589C          | Gasket                      |
| NS       | See Color Table | Front Panel                 |



\*\*Includes Items 28, 29 & 38

\*INCLUDES RELAY & OVERLOAD. IF UNDER WARRANTY, REPLACE WITH SAME COMPRESSOR USED IN ORIGINAL ASSEMBLY.

NOTE: All correspondence pertaining to any of the above water coolers or orders for repair parts MUST include Model No. and Serial No. of cooler, name and part number of replacement part.

| COLOR          | RIGHT PANEL  | LEFT PANEL   | FRONT PANEL  |
|----------------|--------------|--------------|--------------|
| Platinum (PV)  | 401536248410 | 401536348410 | 401507448410 |
| Almond (AV)    | 26912C       | 26908C       | 26904C       |
| Slate (SV)     | 401536248440 | 401536348440 | 401507448440 |
| Stnss Stl (SS) | 401536242830 | 401536342830 | 401507442830 |

**CONDENSER WATER VALVE ADJUSTMENT**

The condenser water valve is factory preset for a condenser water outlet temperature of 95° to 105° F. If actual temperature varies greatly from this, readjust water flow rate at the valve using the following procedures.

**1. START UP COMPRESSOR**

This can be accomplished by depressing the cooler push button (See Fig. 1 - Item 4). Keep water running during the entire readjustment procedure.

**2. ADJUSTMENT CONDENSER WATER VALVE**

Adjust valve by rotating adjustment stem. Rotating stem clockwise will decrease water flow. Counterclockwise rotation will increase water flow. Increasing water flow will result in a lower condenser outlet temperature, while decreasing water flow will result in a higher outlet temperature. Proper adjustment is attained when condenser outlet temperature is 95° to 105° F.

ADJUSTMENT STEM — TOP OF VALVE

FIG. 6



**Halsey Taylor**  
2222 CAMDEN COURT  
OAK BROOK, IL 60523  
630.574.3500

PRINTED IN U.S.A.

FOR PARTS, CONTACT YOUR LOCAL DISTRIBUTOR OR CALL 1.800.323.0620