

HALSEY TAYLOR OWNERS MANUAL

USES HFC-134A REFRIGERANT

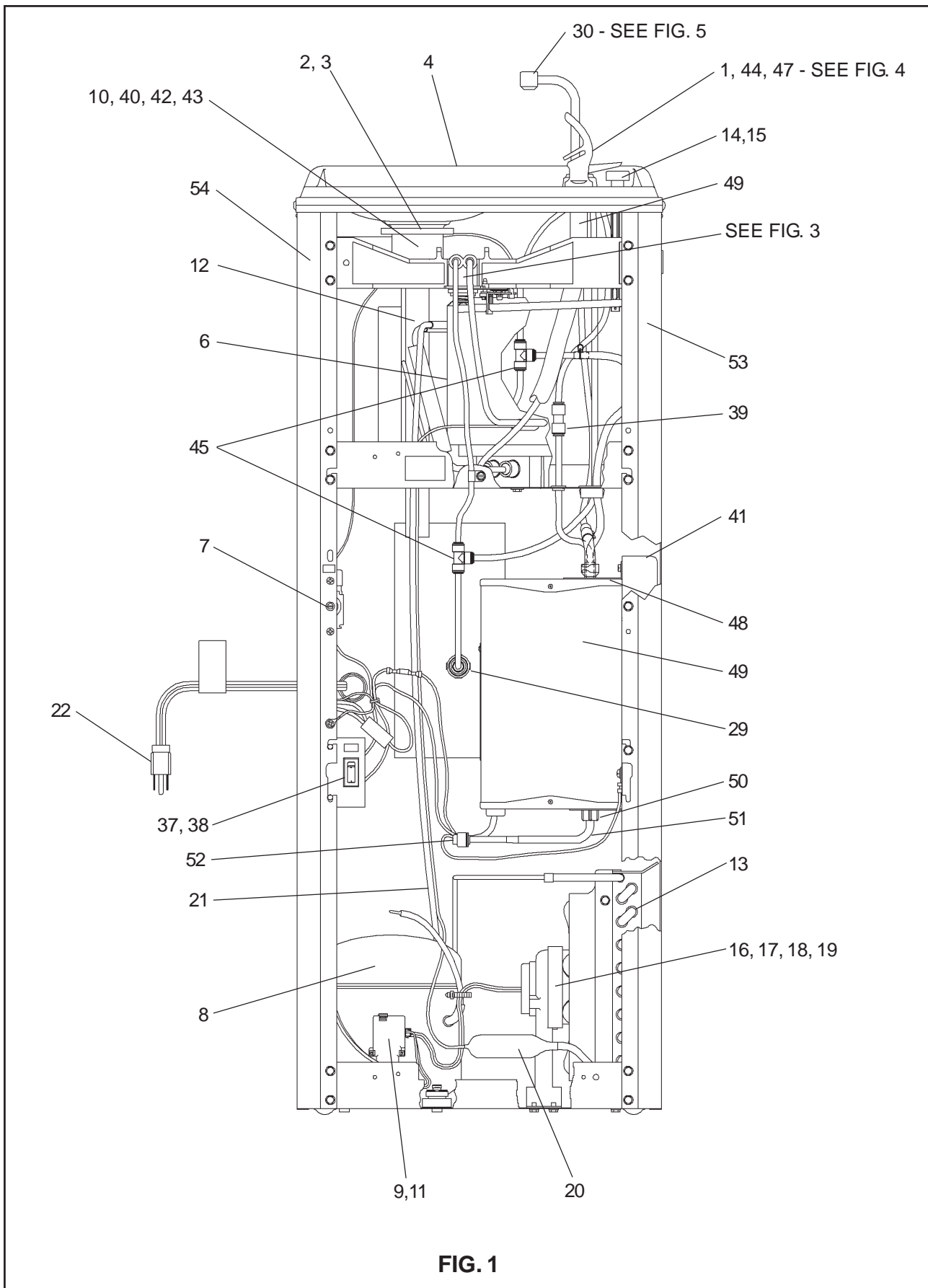


FIG. 1

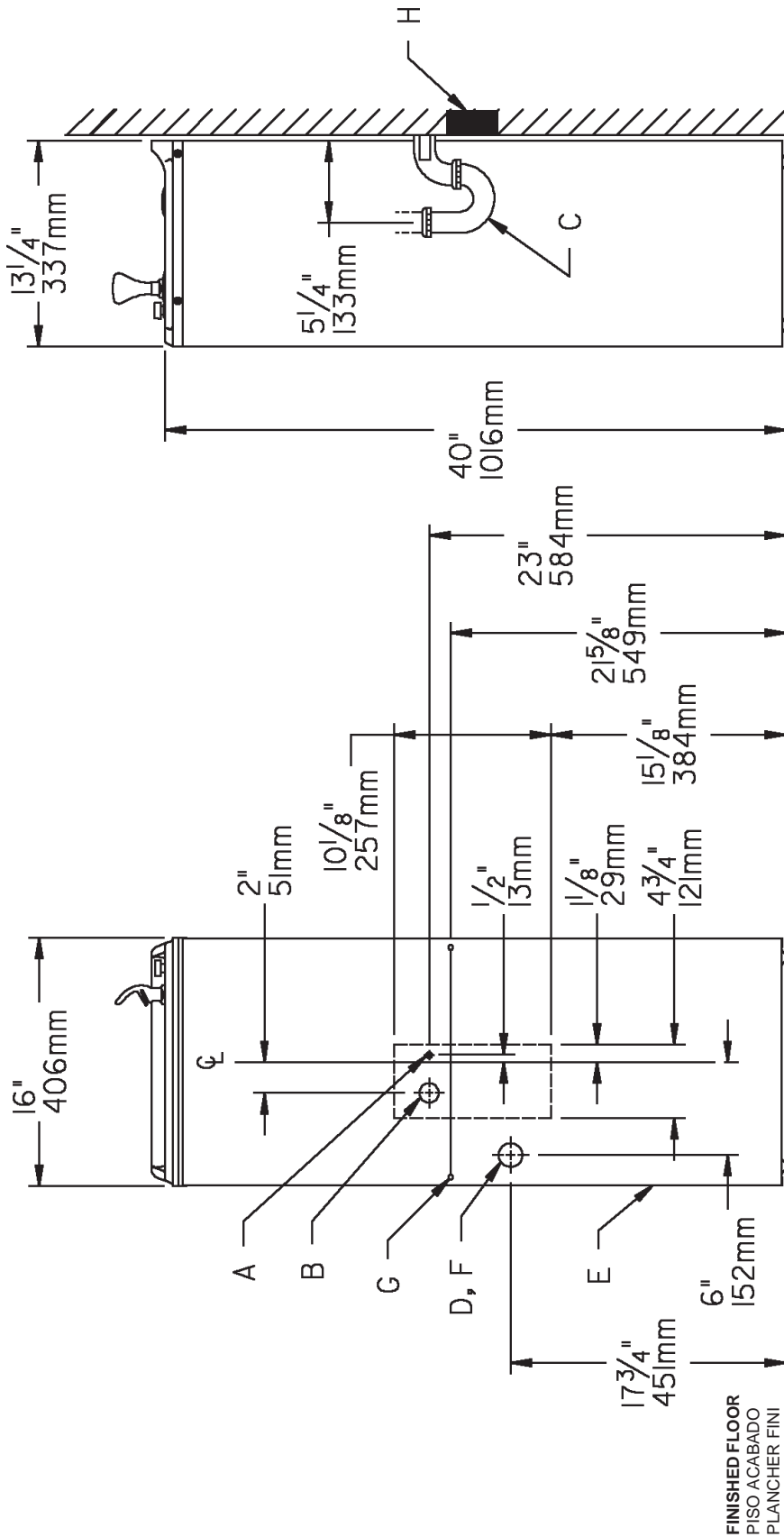


FIG. 2

LEGEND/LEYENDA/LÉGENDE
A = RECOMMENDED WATER SUPPLY LOCATION 3/8 O.D. UNPLATED COPPER TUBE CONNECT STUB OUT 1-1/2 IN. (38mm)
 SE RECOMIENDA UBICAR EL TUBO CORTO DE CONEXIÓN AL TUBO DE COBRE SIN CHAPAR DE 3/8" DE DIAM. EXT. A 1-1/2" (38 mm) FUERA DE LA LAVO DE PASO EN LA PARED COLOCADA POR TERCEROS.
 EMPACEMENT RECOMMANDÉ D'ALIMENTATION EN EAU PAR TUBE EN CUIVRE NON PLAQUÉ DE 3/8 PO. (9.5 mm) D.E. CONNECTANT UNE TUYAUTERIE DE 1-1/2 PO. (38 mm) DEPUIS LE ROBINET D'ARRÊT FOURNI PAR D'AUTRES.

B = RECOMMENDED LOCATION FOR WASTE OUTLET 1-1/4" O.D. DRAIN
 UBICACIÓN RECOMENDADA PARA EL DRENAJE DE SALIDA DE AGUA, DE 1 1/4" DE DIÁMETRO.
 EMPACEMENT RECOMMANDÉ POUR LE DRAIN DE D.E. 1-1/4" DE SORTIE D'EAU.

C = 1-1/4 TRAP NOT FURNISHED
 PURGADOR DE 1 1/4 NO PROPORCIONADO
 SIPHON 1-1/4 NON FOURNI

D = ELECTRICAL OUTLET LOCATION
 UBICACIÓN DE LA TOMA DE ELECTRICIDAD
 EMPACEMENT DE LA PRISE DE COURANT

E = INSURE PROPER VENTILATION BY MAINTAINING 4" (102mm) (MIN.) CLEARANCE FROM CABINET LOUVERS TO WALL.
 ASEGURE UNA VENTILACIÓN ADECUADA MANTENIENDO UN ESPACIO E 4" (102mm) (MIN.) DE HOLGURA ENTRE LA REJILLA DE VENTILACIÓN DEL MUEBLE Y LA PARED
 ASSUREZ-VOUS UNE BONNE VENTILATION EN GARDANT 4" (102mm) (MIN.) ENTRE LES ÉVÉNENTS DE L'ENCEINTE ET LE MUR.

F = POWER CORD 4" (1219mm) LONG
 CABLE ELÉCTRICO DE 4" (1219mm) PIE. DE LARGO
 CORDON D'ALIMENTATION 4" (1219mm)

G = WALL SCREW HOLES
 AGUJEROS DE TORNILLOS DE PARED
 TROUS DE VIS DU MUR
H = 2 X 4 BLOCKING
 BLOQUEO DE 2 X 4

PUSH BUTTON VALVE ADJUSTMENT

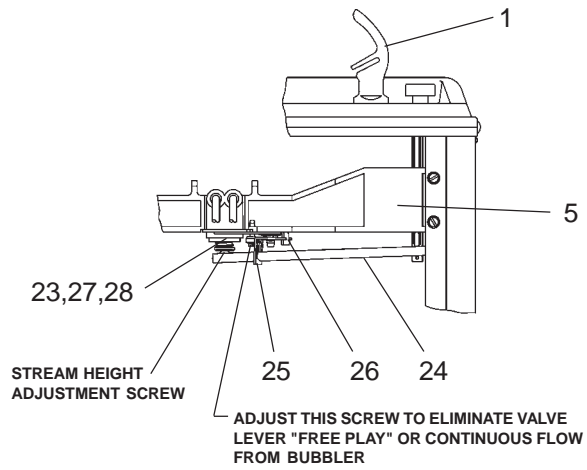
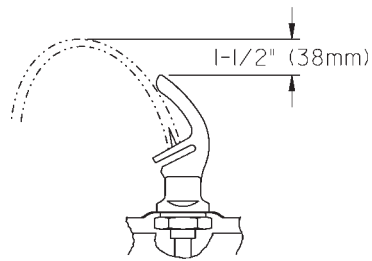


FIG. 3



CORRECT STREAM HEIGHT

FIG. 4

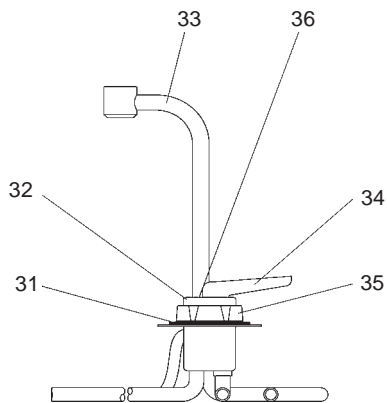
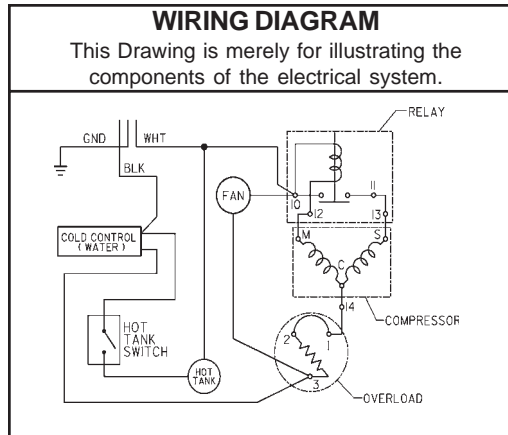


FIG. 5

ITEMIZED PARTS LIST

ITEM NO.	PART NO.	DESCRIPTION
1	51544C	Bubbler
2	102639931640	Drain Plug
3	160270508640	Strainer Plate
4	401501842590	Basin
5	55880C	Bracket-Regulator Mounting
6	66504C	Evaporator (4 GPH)
7	31513C	Cold Control
8*	36242C	Compressor Serv. Pak (4 GPH)
9	36236C	Overload (4 GPH)
	36231C	Relay (4 GPH)
	75589C	Washer - Seal
11	35768C	Relay Cover (4 GPH)
12	45448C	Tailpipe Assy
13	66251C	Condenser (4 GPH)
14	101453431640	Cap Push Button
15	101507531550	Push Button Stem
16	31490C	Fan Motor (4 GPH)
17	104209543730	Fan Blade (4 GPH)
18	70018C	Fan Blade Nut
19	402672043730	Fan Motor Bracket
20	66201C	Drier (4 GPH)
21	66255C	Heat Exchanger (4 GPH)
22	36136C	Power Cord
23	15005C	Regulator Retaining Nut
24	26860C	Regulator Lever
25	26861C	Pivot Bracket
26	26862C	Regulator Retaining Bracket
27	50986C	Regulator Holder
28	61314C	Regulator
29	55996C	Strainer
30	45820C	Hot Valve Assy
31	33659000	Gasket-Body
32	40596C	Shroud
33	40597C	Gooseneck
34	51543C	Lever Handle
35	70921C	Mounting Nut
36	92712C	Stem Assy
37	28427C	Hot Tank Switch Bracket
38	36101C	Hot Tank Switch
39	70683C	Union - 1/4
40	100147140560	Drain Gasket
41	28439C	Bracket - Hot Tank Mounting
42	55913C	Adaptor-Drain W/O Holes
43	75588C	Nut - Slip Joint 1-1/4
44	56159C	Nipple - Bubbler
45	70682C	Tee - 1/4
46	56092C	Poly Tubing (Cut To Length)
47	100322740560	Bubbler Gasket
48	28438C	Bracket -Hold Down
49	36204C	Tank Assy - Hot
50	75666C	Nut - 5/16" Compression
51	66736C	Tube - Drain 5/16" to 1/4"
52	70606C	Plug - Drain
53	See Color Table	Side Panel - Right
54	See Color Table	Side Panel - Left
NS	See Color Table	Front Panel
NS	402672943730	Back Panel



*INCLUDES RELAY & OVERLOAD. IF UNDER WARRANTY, REPLACE WITH SAME COMPRESSOR USED IN ORIGINAL ASSEMBLY.

NOTE: All correspondence pertaining to any of the above water coolers or orders for repair parts MUST include Model No. and Serial No. of cooler, name and part number of replacement part.

COLOR	RIGHT PANEL ITEM 53	LEFT PANEL ITEM 54	FRONT PANEL ITEM NOT SHOWN
Platinum (PV)	401536248410	401536348410	401507448410
Almond (AV)	26912C	26908C	26904C
Slate (SV)	401536248440	401536348440	401507448440
Stnlss Stl (SS)	401536242830	401536342830	401507442830

Halsey Taylor
2222 CAMDEN COURT
OAK BROOK, IL 60523
630.574.3500

REPAIR SERVICE INFORMATION TOLL FREE NUMBER 1.800.260.6640
NÚMERO GRATIS DE SERVICIO 1.800.260.6640
INFORMATIONS POUR LE SERVICE PAR NUMERO SANS FRAIS 1.800.260.6640

FOR PARTS, CONTACT YOUR LOCAL DISTRIBUTOR OR CALL 1.800.323.0620
PARA PIEZAS, CONTACTE A SU DISTRIBUIDOR LOCAL O LLAME AL 1.800.323.0620
POUR OBTENIR DES PIÈCES, CONTACTEZ VOTRE DISTRIBUTEUR LOCAL OU COMPOSEZ LE 1.800.323.0620