

Halsey Taylor Owners Manual

USES HFC-134A REFRIGERANT

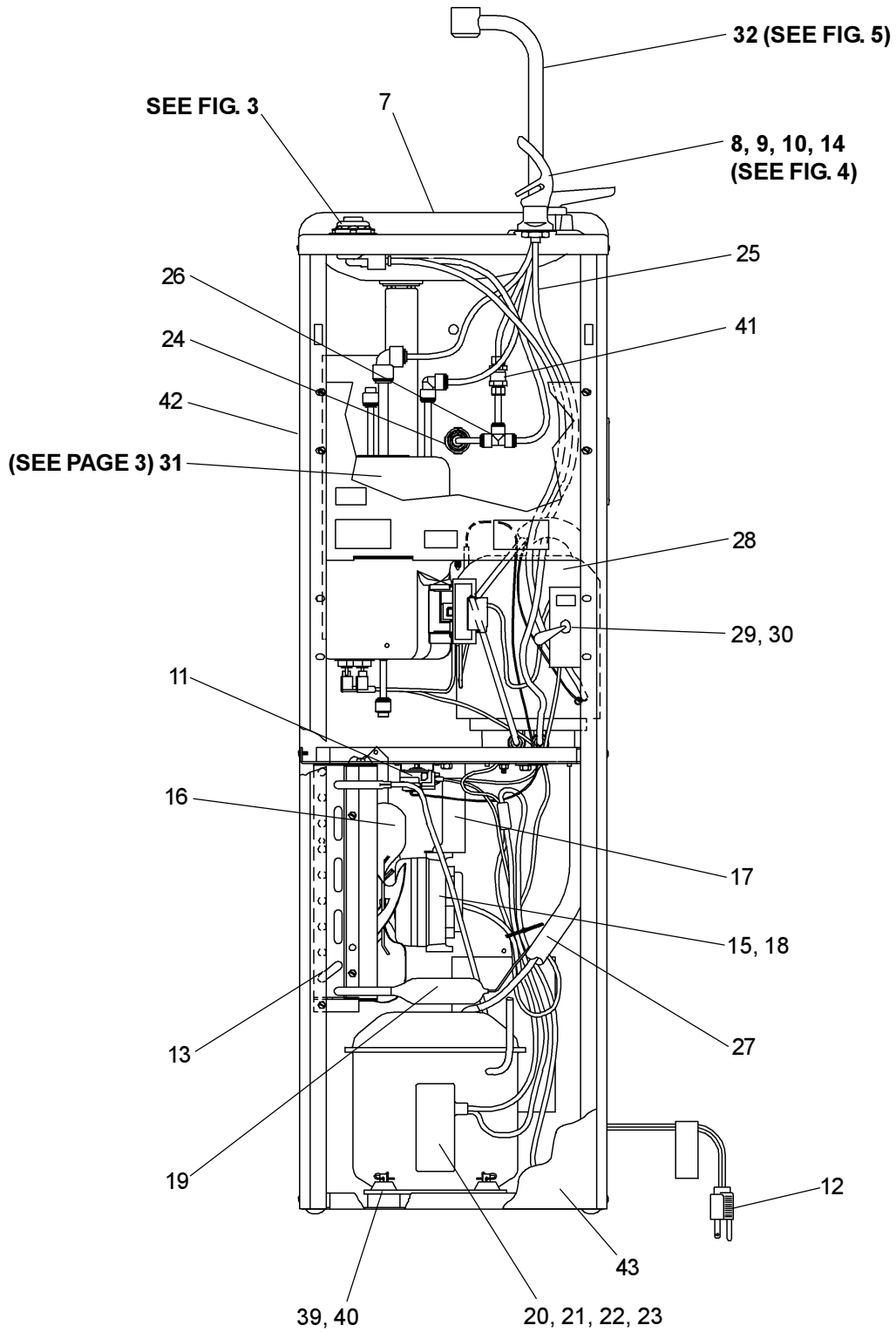


FIG. 1

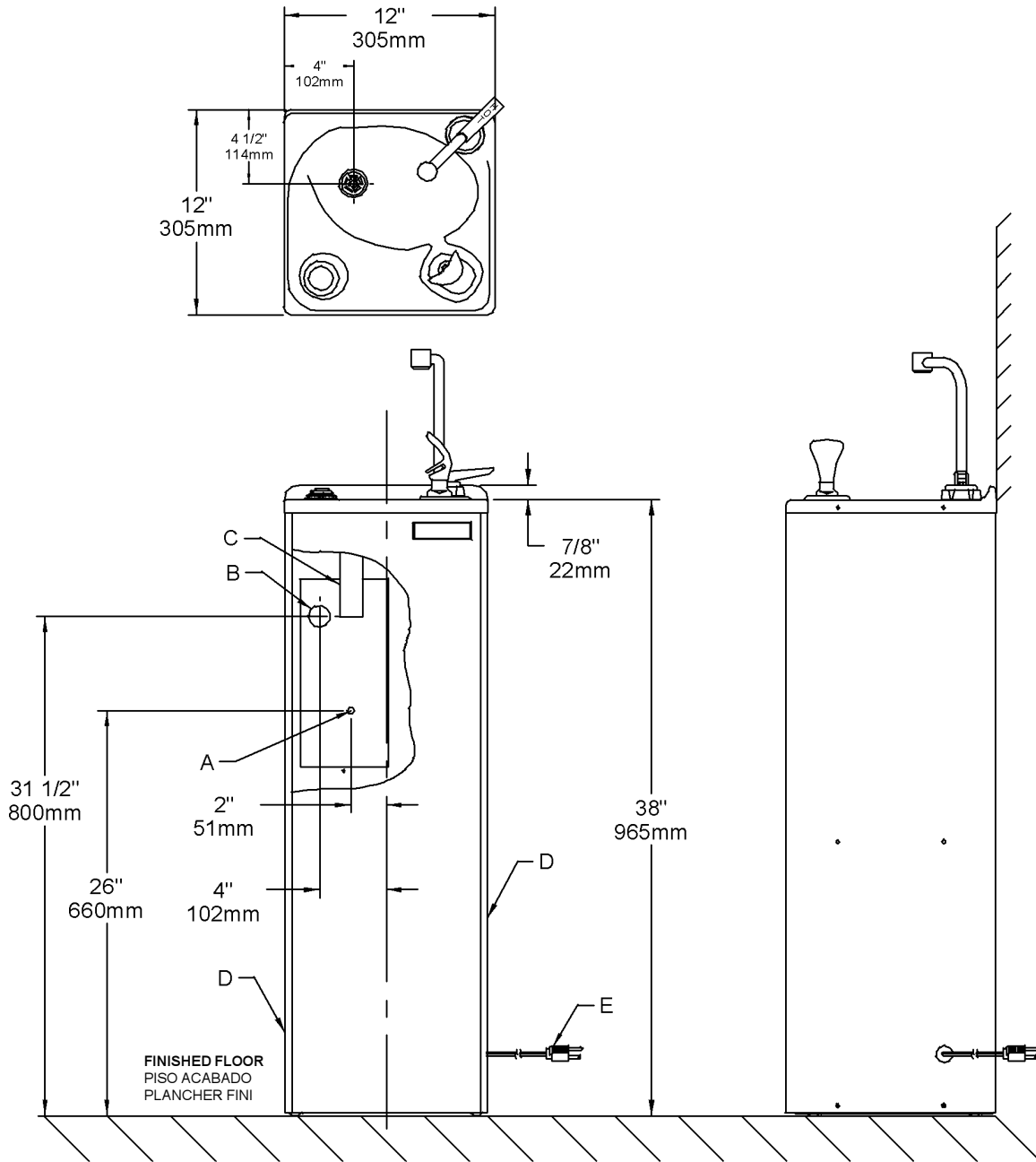


FIG. 2

LEGEND/LEYENDA/LÉGENDE

A = RECOMMENDED WATER SUPPLY LOCATION 3/8 O.D. UNPLATED COPPER TUBE CONNECT STUB 1-1/2" (38mm) OUT FROM WALL SHUT OFF BY OTHERS

SE RECOMIENDA UBICAR EL TUBO DE CONEXIÓN AL TUBO DE COBRE SIN CHAPAR DE 3/8" DE DIAM. EXT. A 1-1/2" (38mm) FUERA DE LA LLAVA DE PASO EN LA PARED COLOCADA POR TERCEROS.

EMPLACEMENT RECOMMANDÉ D'ALIMENTATION EN EAU PAR TUBE EN CUIVRE NON PLAQUÉ DE 3/8 PO. (9,5mm) D.E. CONNECTANT UNE TUYAUTERIE DE 1-1/2 PO. (38mm) DEPUIS LE ROBINET D'ARRET FOURNI PAR D'AUTRES.

B = RECOMMENDED LOCATION FOR WASTE OUTLET 1-1/4" O.D. DRAIN

UBICACIÓN RECOMENDADA PARA EL DRENAJE DE SALIDA DE AGUA, DE 1-1/4" DE DIÁMETRO.

EMPLACEMENT RECOMMANDÉ POUR LE DRAIN DE D.E. 1-1/4" DE SORTIE D'EAU.

C = 1-1/4 TRAP NOT FURNISHED

PURGADOR DE 1-1/4 NO PROPORCIONADO

SIPHON 1-1/4 NON FOURNI

D = INSURE PROPER VENTILATION BY MAINTAINING 4" (102mm) (MIN.) CLEARANCE FROM CABINET LOUVERS TO WALL.

ASEGURE UNA VENTILACIÓN ADECUADA MANTENIENDO UN ESPACIO E 4" (102mm) (MÍN.) DE HOLSURA ENTRE LA REJILLA DE VENTILACIÓN DEL MUEBLE Y LA PARED

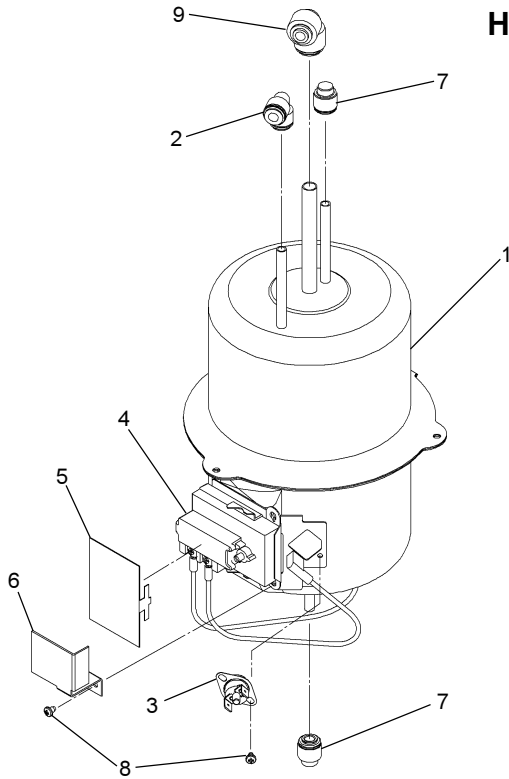
ASSUREZ-VOUS UNE BONNE VENTILATION EN GARDANT 4" (102mm) (MÍN.) ENTRE LES ÉVENTS DE L'ENCEINTE ET LE MUR.

E = POWER CORD 4 FEET (1219mm) LONG

CABLE ELÉCTRICO DE 4 PIE (1219mm), DE LARGO

CORDON D'ALIMENTATION 4' (1219mm)

HOT TANK ASSEMBLY



HOT TANK PARTS LIST

ITEM NO.	PART. NO.	DESCRIPTION
1	A54731	Hot Tank Weldment Assy. 115V
2	70793C	1/4 Elbow
3	A54729	Thermostat
4	30511C	Hot Control
5	50226C	Hot Control Insulator
6	28365C	Thermostat Bracket
7	70606C	Drain Plug
8	70302C	Screw #6-32 x 3/16" PHTC
9	70836C	3/8 x 1/4 Elbow
NS	28369C	Hot Tank Assy. Mntg. Bracket

Stream height is factory set at 35 PSI. If supply pressure varies greatly from this, remove Items 1 & 2 and adjust screw on Item 4. Clockwise adjustment will raise stream and counter-clockwise adjustment will lower stream. For best adjustment, stream should hit basin approximately 6-1/2" (165mm) from bubbler.

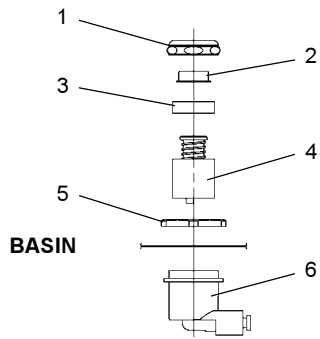


FIG. 3

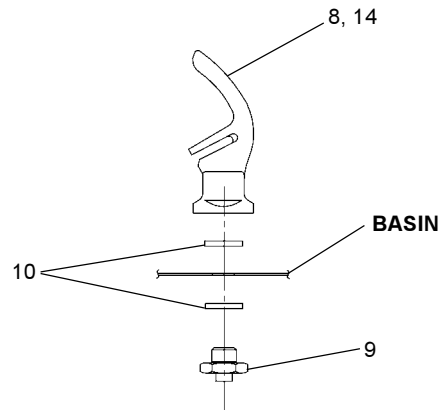


FIG. 4

WIRING DIAGRAM

This Drawing is merely for illustrating the components of the electrical system.

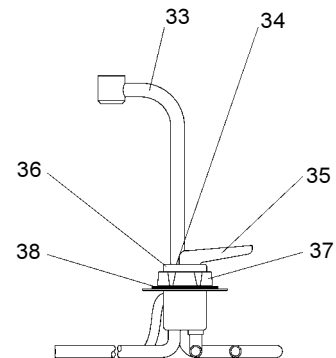
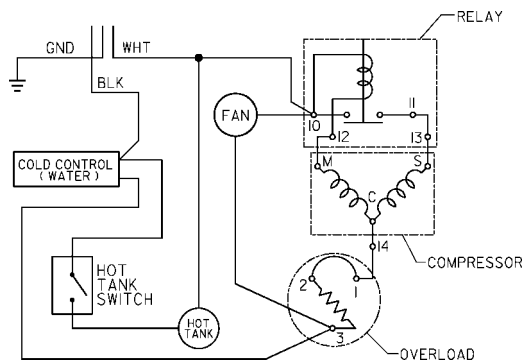


FIG. 5

PARTS LIST 115V

ITEM NO.	PART NO.	DESCRIPTION
1	40089C	Cover
2	40048C	Button
3	15005C	Regulator Retaining Nut
4	61313C	Regulator
5	40169C	Hex Nut
6	50986C	Regulator Holder
7	27843C	Basin & Drain Assy
8	51544C	Bubbler - Chrome
9	15008C	Nipple - Bubbler
10	100322740560	Gasket - Bubbler (upper & lower)
11	31513C	Cold Control
12	36133C	Power Cord
13	66303C	Condenser
14	60291C	Screen
15	31490C	Fan Motor
16	30664C	Fan Blade
17	20282C	Fan Bracket
18	70018C	Fan Blade Nut
19	66201C	Drier
20	35787C	Compressor Serv. Pak PW4.5HK11
21	31034C	Overload/Relay Assy
22*	31797C	Cover - Relay
23	194243901550	Electrical Shield
24	55996C	Strainer
25	56092C	Tubing - Poly (Cut to Length)
26	70682C	Fitting - Tee 1/4
27	66301C	Heat Exchanger
28	66505C	Evaporator
29	21591C	Hot Tank Switch Bracket
30	30010C	Hot Tank Switch
31	36154C	Hot Tank Assy
32	45786C	Hot Valve Assy
33	40597C	Gooseneck
34	92712C	Hot Valve Kit
35	51543C	Handle
36	40596C	Shroud
37	70921C	Mounting Nut
38	33659000	Body Gasket
39	50144C	Grommet-Compressor
40	70418C	Washer-Compressor
41	55832C	Flow Regulator Assy
42	21239C	Cabinet-Stainless Steel
	28195C	Cabinet-Platinum Vinyl
43	20460C	Front Panel-Stainless Steel
	27359C	Front Panel-Platinum Vinyl

*REPLACE WITH SAME COMPRESSOR USED IN ORIGINAL ASSEMBLY.

NOTE: All correspondence pertaining to HALSEY TAYLOR water coolers or orders for repair parts MUST include Model No. and Serial No. of cooler, name and part number of replacement part.

Halsey Taylor
 2222 CAMDEN COURT
 OAK BROOK, IL 60523
 630.574.3500