

HALSEY TAYLOR OWNERS MANUAL

USES HFC-134A REFRIGERANT

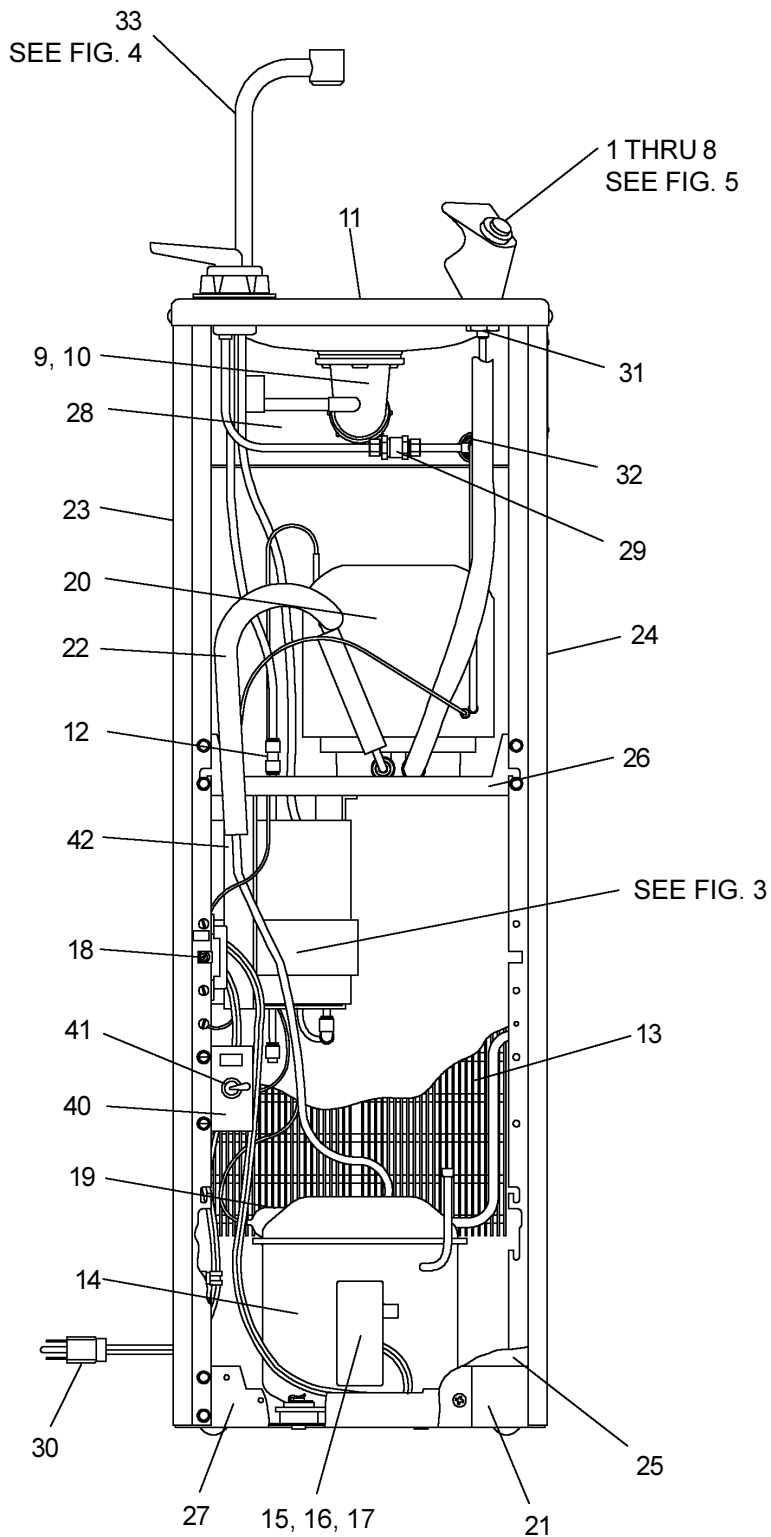


FIG. 1

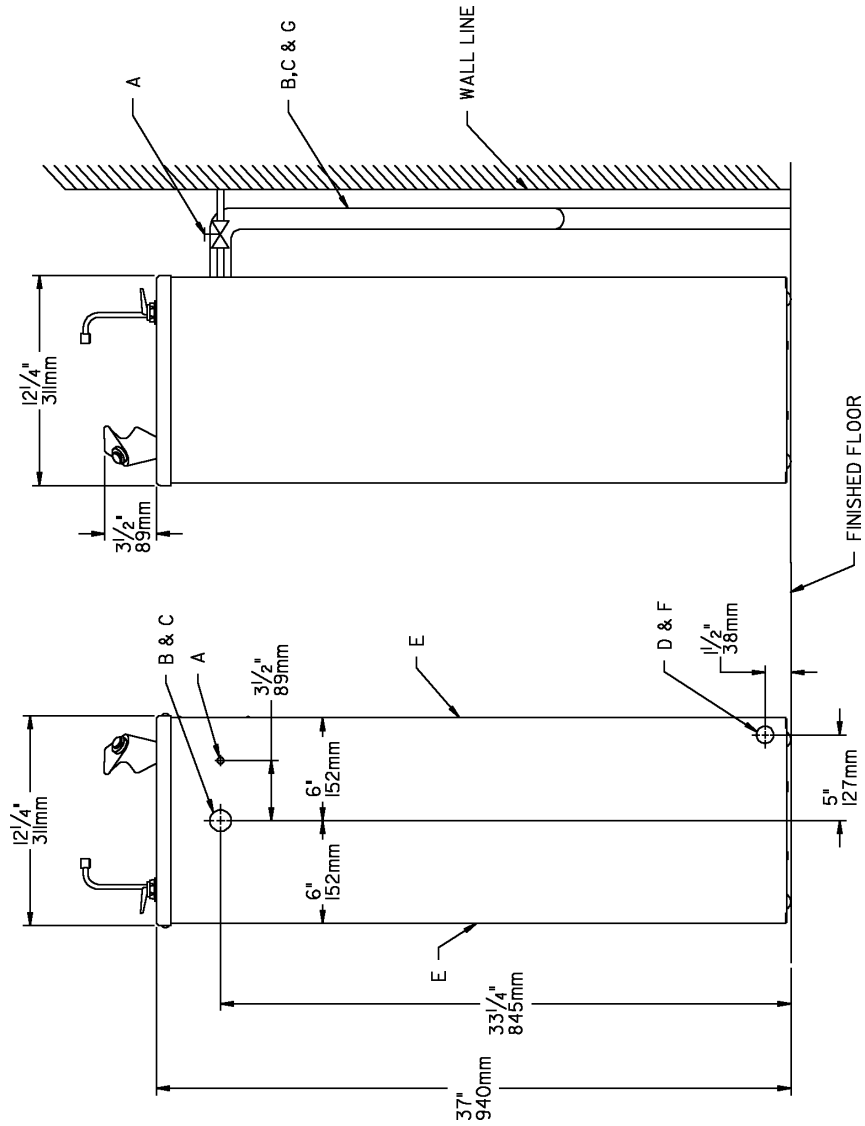


FIG. 2

LEGEND/LEYENDA/LÉGENDE

A = RECOMMENDED WATER SUPPLY LOCATION 3/8 O.D. UNPLATED COPPER TUBE CONNECT STUB OUT 1-1/2 IN. (38mm) FROM WALL SHUT OFF BY OTHERS

SE RECOMIENDA UBICAR EL TUBO CONEXO AL TUBO DE COBRE SIN CHAPAR DE 3/8" DE DIAM. EXT. A 1-1/2" (38 mm) FUERA DE LA Llave DE PASO EN LA PARED COLOCADA POR TERCEROS.

EMPLACEMENT RECOMMANDÉ D'ALIMENTATION EN EAU PAR TUBE EN CUIVRE NON PLAQUÉ DE 3/8 PO. (9.5 mm) D.E. CONNECTANT UNE TUYAUTERIE DE 1-1/2 PO. (38 mm) DEPUIS LE ROBINET D'ARRÊT FOURNI PAR D'AUTRES.

B = RECOMMENDED LOCATION FOR WASTE OUTLET 1-1/4" O.D. DRAIN

UBICACIÓN RECOMENDADA PARA EL DRENAJE DE SALIDA DE AGUA DE 1 1/4" DE DIÁMETRO.

EMPLACEMENT RECOMMANDÉ POUR LE DRAIN DE D.E. 1-1/4" DE SORTIE D'EAU.

C = 1-1/4" TRAP NOT FURNISHED

PURGADOR DE 1 1/4" NO PROPORCIONADO

SIPHON 1-1/4" NON FOURNI

D = ELECTRICAL OUTLET LOCATION

UBICACIÓN DE LA TOMA DE ELECTRICIDAD

EMPLACEMENT DE LA PRISE DE COURANT

E = INSURE PROPER VENTILATION BY MAINTAINING 4" (102mm) (MIN.) CLEARANCE FROM CABINET LOUVERS TO WALL. ASEGURE UNA VENTILACIÓN ADECUADA MANTENIENDO UN ESPACIO E 4" (102mm) (MIN.) DE HOLLGURA ENTRE LA REJILLA DE VENTILACIÓN DEL MUEBLE Y LA PARED. ASSUREZ-VOUS UNE BONNE VENTILATION EN GARDANT 4" (102mm) (MIN.) ENTRE LES ÉVÉNENTS DE L'ENCEINTE ET LE MUR.

F = POWER CORD 4" (1219mm) LONG

CABLE ELÉCTRICO DE 4" (1219mm) PIE. DE LARGO

CORDON D'ALIMENTATION 4" (1219mm)

G = WALL SCREW HOLES

AGUJEROS DE TORNILLOS DE PARED

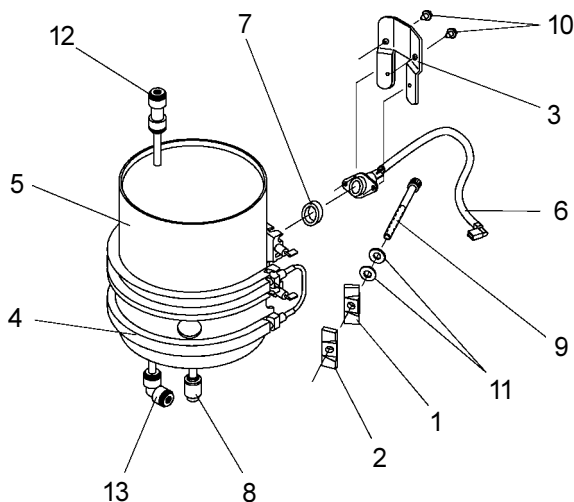
TROUS DE VIS DU MUR

SERVICING THE HOT CONTROL AND FUSE ASSEMBLY

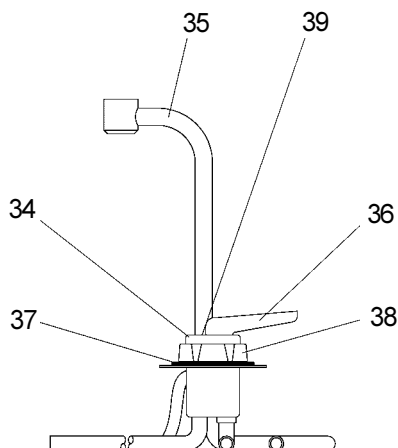
1. A temperature sensing non-resettable fuse in the wire is located approximately 3" (76mm) from the thermostat. The fuse is located under the retaining bracket (Item 3) in the groove on the heater element jacket (Item 4).
2. The thermostat must be used with a washer-spacer (Item 7) and be centered in the heater element jacket for proper temperature control. Locate the heater element jacket about 3/4" (19mm) above the bottom of the tank.
3. The heater element jacket must be fastened **VERY TIGHTLY** to the tank (45+/-10 inch/lbs. of torque on the mounting screw Item 9). Failure to **TIGHTEN** heater element jacket may cause rapid failure of the fuse assembly.

HOT TANK PARTS LIST

ITEM NO.	PART. NO.	DESCRIPTION
1	22111C	Heater Clamping Bracket
2	22112C	Heater Clamping Bracket (thrd)
3	22113C	Retaining Bracket
4	30980C	Heater Element & Jacket 115V
5	31386C	Tank & Tube Assy
6	31428C	Hot Control Assy
7	50787C	Washer-Spacer
8	70606C	Drain Plug
9	70607C	Screw 1/4-20 x 3.00" HSHC
10	70640C	Screw #8-18 x 5/16" HHTC
11	70659C	Belleville Washer
12	70683C	1/4 Union
13	70793C	1/4 Elbow
14	31397C	Hot Tank Assy 115V (Serv)



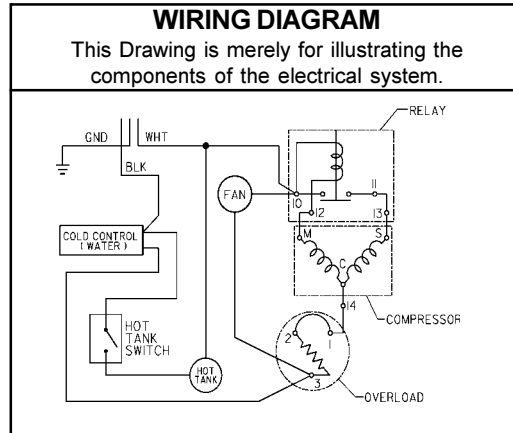
**FIG. 3
ITEM 14**



**FIG. 4
ITEM 33**

ITEMIZED PARTS LIST

ITEM NO.	PART NO.	DESCRIPTION
1	45675C	Bubbler Body
2	40048C	Button CP
3	40089C	Nut - Cover CP
4	10031C	Nut - Retaining
5	40322C	Orifice Assy
6	60291C	Screen SS
7	61313C	Regulator
8	100322740560	Gasket - Black
9	101486340560	Gasket
10	601506551550	Drain Elbow Assy
11	401505742830	Basin
12	70683C	Union - 1/4
13	192682851550	Condenser
14	35786C	Compressor Serv Pack (115V)
15	194243901550	Cover - Elect Sheild
16	35766C	Cover - Relay (115V)
17	31038C	OL/Relay (115V)
18	35839C	Cold Control
19	66200C	Drier - R134A
20	66504C	Evap/Chiller Assy
21	101486931560	Toe Plate
22	66521C	Heat Exchanger
23	401458348410	Panel - Side (LH) PV
24	401458448410	Panel - Side (RH) PV
25	401486648410	Panel - Front PV
26	401455643730	Shelf - "S" Series
27	401474943730	Base - "S" Series
28	401484743730	Service Plate "S" Series
29	55832C	Flow Regulator Assy
30	192668251550	Wiring Assy SD-CB
31	15009C	Assy - Nipple
32	55996C	Strainer
33	40579C	Hot Valve Assy
34	40596C	Shroud - Hot Valve
35	40597C	Gooseneck - Hot
36	51543C	Handle - Red
37	33659000	Gasket - Body
38	70921C	Nut - Mounting
39	92712C	Kit - Hot valve
40	21591C	Hot Tank Switch Brkt
41	30010C	Hot Tank Switch
42	22588C	Bracket - Hot tank Mtg.



*INCLUDES RELAY & OVERLOAD. IF UNDER WARRANTY, REPLACE WITH SAME COMPRESSOR USED IN ORIGINAL ASSEMBLY.

NOTE: All correspondence pertaining to any of the above water coolers or orders for repair parts MUST include Model No. and Serial No. of cooler, name and part number of replacement part.

Stream Height Adjustment

- 1) Remove cover nut.
- 2) Lift off push button cap.
- 3) Turn exposed screw to change stream height. Clockwise adjustment will raise stream height and counter-clockwise adjustment will lower stream height.

To Replace Cartridge:

- a) Shut off water cooler.
- b) Remove cover nut and push button.
- c) Use spanner wrench to remove retaining nut.
- d) Lift out cartridge and bottom gasket. Insert replacement and gasket.
- e) To adjust stream height see note 3 above.

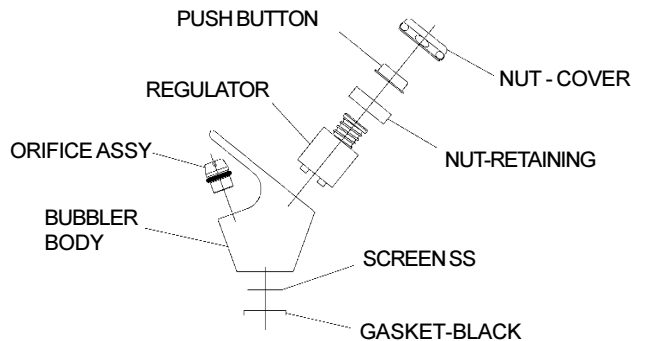


FIG. 5

Halsey Taylor
 2222 CAMDEN COURT
 OAK BROOK, IL 60523
 630.574.3500

PRINTED IN U.S.A.
 IMPRESO EN LOS E.E.U.U.
 IMPRIMÉ AUX E.-U.

FOR PARTS, CONTACT YOUR LOCAL DISTRIBUTOR OR CALL 1.800.323.0620
 PARA PIEZAS, CONTACTE A SU DISTRIBUIDOR LOCAL O LLAME AL 1.800.323.0620
 POUR OBTENIR DES PIÈCES, CONTACTEZ VOTRE DISTRIBUTEUR LOCAL OU COMPOSEZ LE 1.800.323.0620