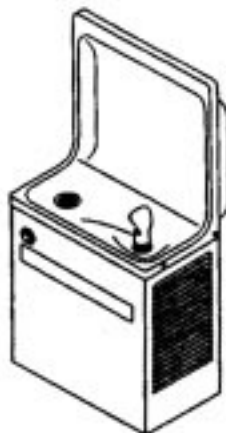


Halsey Taylor Owners Manual

RWM 8A-3-Q RWM13A-3-Q

(USES HFC 134A REFRIGERANT)



Installer

The RWM cooler is among the easiest to install Semi-Recessed cooler on the market today. To assure you install this model easily and correctly, PLEASE READ THESE SIMPLE INSTRUCTIONS BEFORE STARTING THE INSTALLATION. CHECK YOUR INSTALLATION FOR COMPLIANCE WITH PLUMBING, ELECTRICAL AND OTHER APPLICABLE CODES. After installation, leave these instructions inside the cooler for future reference.

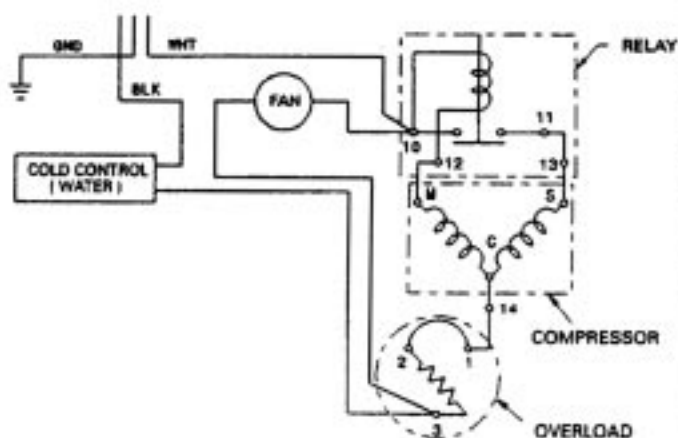
IMPORTANT

ALL SERVICE TO BE PERFORMED BY AN AUTHORIZED SERVICE PERSON

1. Insure proper ventilation by maintaining 4" (min.) clearance from cabinet louvers to wall on each side of cooler.
2. Water supply 3/8" IPS. Waste 1-1/4" IPS. Contractor to supply waste trap and service stop valve in accordance with local codes.
3. Connecting lines should be thoroughly flushed to remove all foreign matter before being connected to cooler. This cooler is manufactured in such a manner that it does not in any way cause taste, odor, color or sediment problems.
4. Electrical: Insure power supply is identical in voltage, cycle and phase to that specified on the cooler data plate. NEVER wire compressor directly to the power supply.
5. For TROUBLE SHOOTING AND MAINTENANCE GUIDE, see page 4.

WIRING DIAGRAM

This drawing is merely for illustrating the components of the electrical system.



TRAP INSTALLATION

- 1) Install 3/8" IPS, female x 3/8" compression straight service stop to the building water inlet stub.

INSTALLATION OF COOLER

- 2) Hang the cooler on the hanger brackets. Be certain the hanger brackets are engaged properly in the frame and the basin.
- 3) Remove the access panel on the underside of the cooler and set it aside.
- 4) Connect the water line between the service stop valve and cooler (see Fig.2).
- 5) **NOTE:** If required, the water inlet line to cooler may be cut to a desired length. However, if water line is cut, all burrs must be removed from outside of tube before inserting into the Y-strainer.
- 6) Remove the slip nut and gasket from the trap and install them on the cooler waste line making sure that the end of the waste line fits into the trap. Assemble the slip nut and gasket to the trap and tighten securely.

START UP

- 6) Turn on the building water supply and check all connections for leaks.
- 7) Depress push button until all air is bled from cooler water system. A steady stream flow assures all air removed.
- 8) Install wrapper (Item 35) onto unit by first cutting and discarding the nylon tie holding the regulator holder (Item 34) in place. Install regulator assembly in the wrapper by removing Items 29, 30, & 33 (see Fig. 4). Place wrapper in position and push the regulator holder through the hole and reattach Items 29, 30, & 33. Attach wrapper to frame and basin.
- 9) Stream height is factory set at 35 PSI. If supply pressure varies greatly from this, readjust stream height to approximately 1-1/2" above the bubbler guard by turning adjustment screw on regulator (Item 32), accessible by removing button & cover (Items 29 & 30).
- 10) Recheck all water and drain connections with water flowing through system.
- 11) Plug cooler power cord into building electrical receptacle.
- 12) Replace the access panel and secure by re-tightening all screws.

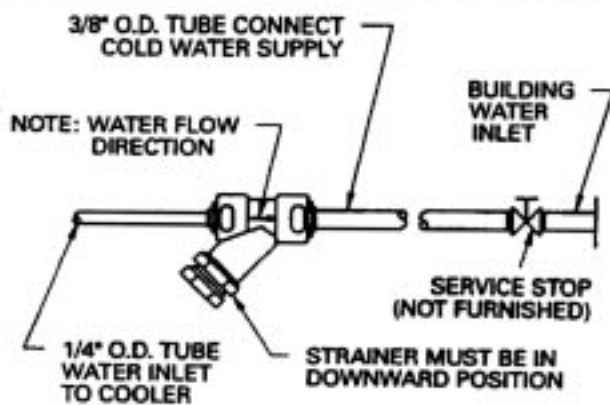


FIG. 2

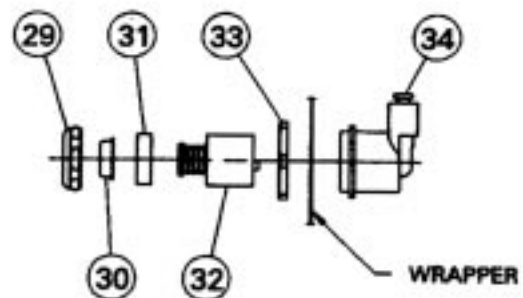
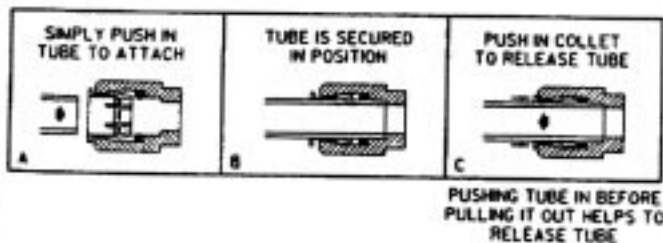


FIG. 4

OPERATION OF QUICK CONNECT FITTINGS



CORRECT STREAM HEIGHT

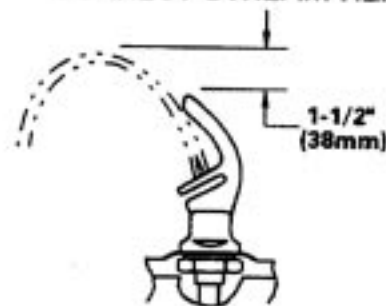


FIG. 5

ROUGHING-IN DRAWING FOR RWM8/13A-Q

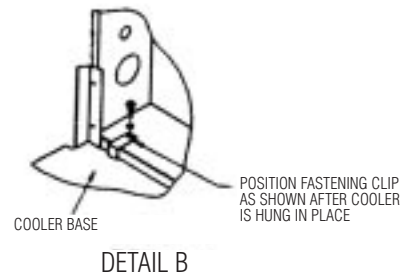
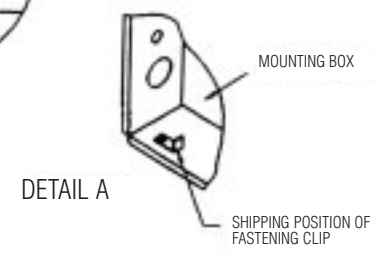
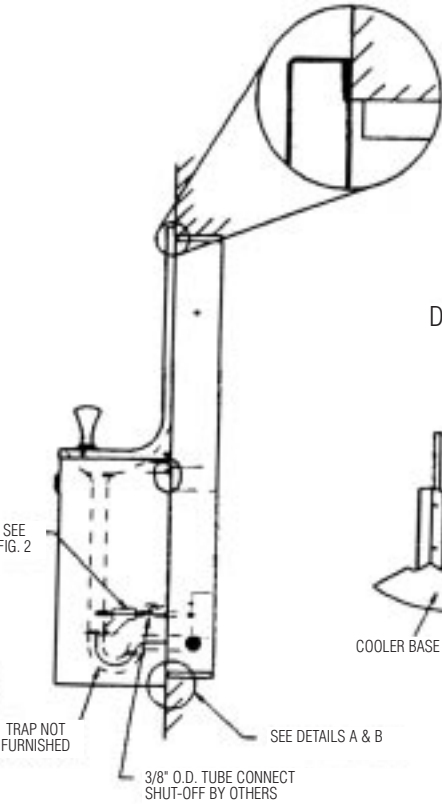
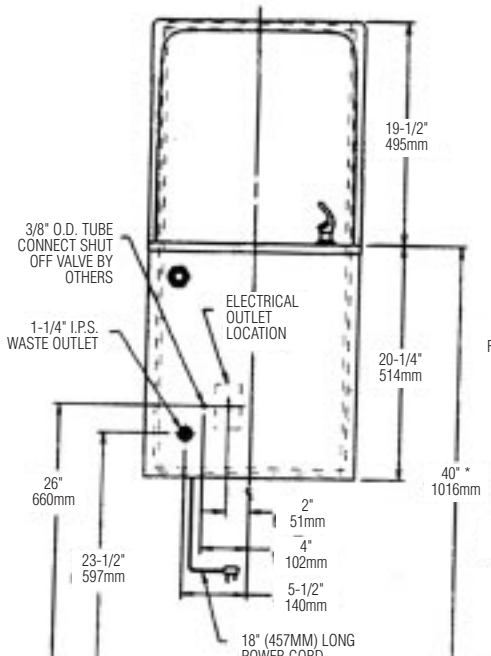
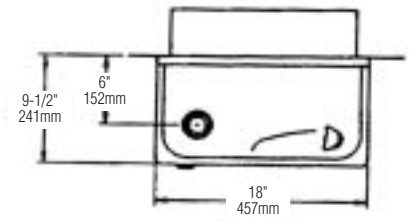
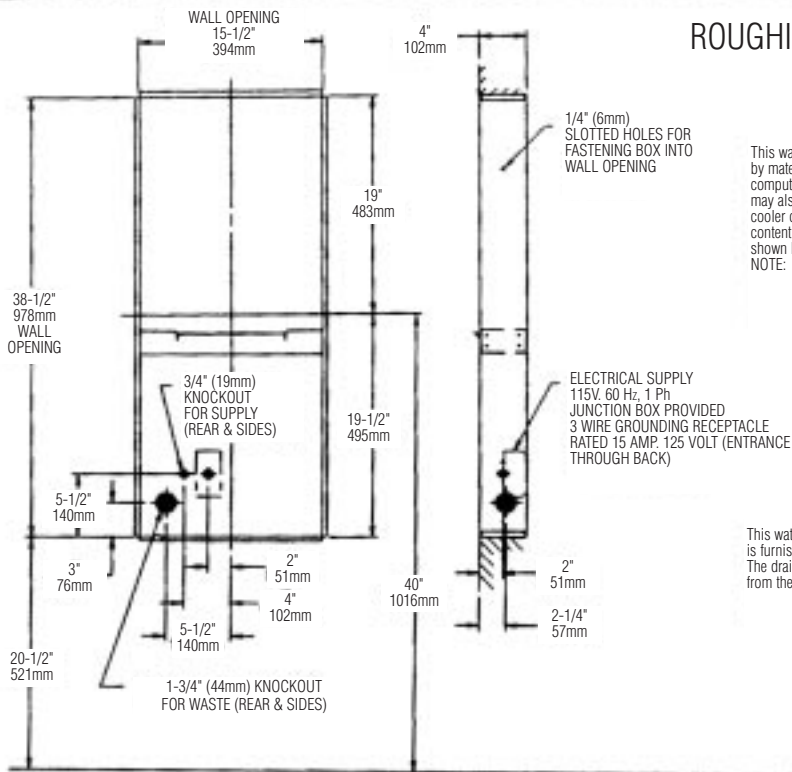
**INSTALLER PLEASE NOTE:
IMPORTANT!**

This water cooler has been designed and built to provide water to the user which has not been altered by materials in the cooler waterways. The grounding of electrical equipment such as telephones, computers, etc. to water lines is a common procedure. This grounding may be in the building but may also occur away from the building. This grounding can cause electrical feedback into a water cooler creating an electrolysis which creates a metallic taste or causes an increase in the metal content of the water. This condition is avoidable by installing the cooler using the proper materials shown below.

NOTE: Insure proper ventilation by maintaining 4" clearance from cabinet louvers to wall on each side of cooler

NOTICE

This water cooler must be connected to the water supply using a dielectric coupling – the cooler is furnished with a non-metallic "Y" strainer which meets this requirement. The drain trap which is provided by the installer should also be plastic to completely isolate the cooler from the building plumbing system.



* RECOMMENDED HEIGHT FOR ADULTS
LOWER TO 33" (838MM) FOR CHILDREN

FIG. 1

ITEM NO.	PART NO.	DESCRIPTION
1	31504-C	Power Cord
2	20617-C	Fan Bracket
3	30699-C	Fan Blade
4	70018-C	Hex Nut - Fan Blade
5	31490-C	Fan Motor
6	70009-C	Screw (Fan Motor)
7	50186-C	Shroud - Fan
8	51544-C	Bubbler Assy
	51545-C	Bubbler Assy (Golden Bronzetone)
9	61515-C	Condenser
10	66202-C	Drier
11	50144-C	Grommet - Compressor Mtg.
12	70184-C	Hair Pin - Cotter
13	70150-C	Washer
14*	35767-C	Compressor Serv. Pak (Includes Items 15-17)
15	19-42439-01-550	Cover - Electrical Shield (Overload)
16	31025-C	Overload /Relay Assembly
17	35786-C	Cover - Terminal
18	66223-C	Heat Exchanger
19	40041-C	Tailpipe Assy (8 Gal)
	40429-C	Precooler Assy (13 Gal)
20	50074-C	Tailpipe Gasket
21	27230-C	Basin (Stainless Steel)
	27254-C	Basin (Golden Bronzetone)
22	70206-C	Screw - Basin Mtg.
	70208-C	Screw - Basin Mtg. (Golden Bronzetone)
23	31513-C	Cold Control
24	62220-C	Evaporator Assembly
25	70788-C	Y - Strainer (Ref. Fig. 2 on Page 3)
26	70772-C	Drain Plug
27	70767-C	Evaporator Retaining Clip
28	26699-C	Bracket - Tailpipe
29	40089-C	Cover
	40119-C	Cover (Golden Bronzetone)
30	40048-C	Button
	40065-C	Button (Golden Bronzetone)
31	10031-C	Retaining Nut
32	61313-C	Regulator
33	40169-C	Hex Nut
	40170-C	Hex Nut (Golden Bronzetone)
34	50985-C	Regulator Holder
35	See Color Table	Wrapper
36	40038-C	Strainer - Beehive
	40111-C	Strainer - Beehive (Golden Bronzetone)
37	40619-C	Ferrule - Tailpipe
	40620-C	Ferrule - Tailpipe (Golden Bronzetone)
38	50105-C	Tailpipe Gasket

* REPLACE WITH SAME COMPRESSOR USED IN ORIGINAL ASSEMBLY.
NOTE: All correspondence pertaining to HALSEY TAYLOR water coolers or orders for repair parts MUST include Model No. and Serial No. of cooler, name and part number of replacement part.

COLOR TABLE	
PANEL COLOR	Item No. 35 Part No.
Stainless Steel	26948-C
Platinum Vinyl	26943-C
Golden Bronzetone	26944-C



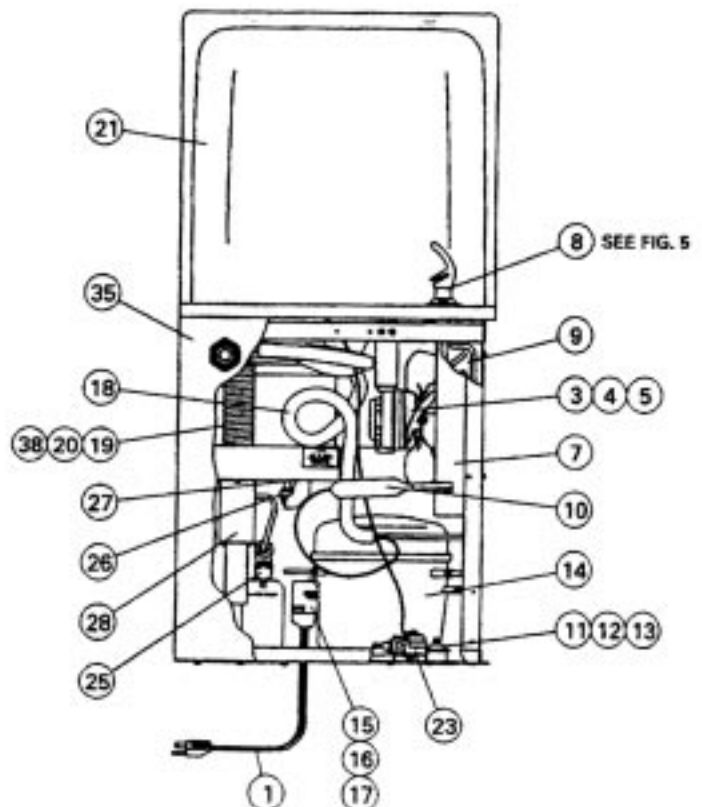
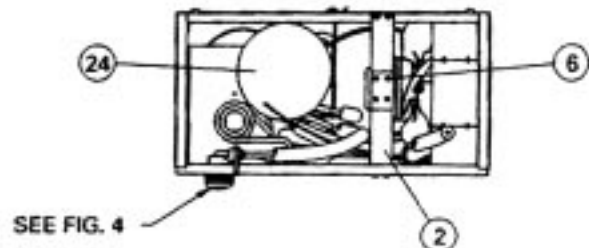
Halsey Taylor

P. O. BOX 9001
OAK BROOK, IL 60521
(708) 574-3500

PRINTED IN U. S. A.

TROUBLE SHOOTING & MAINTENANCE

- Bubbler:** If mineral deposits build up in the orifice, they can be removed by using a round file or small diameter wire. **CAUTION:** Care must be taken not to damage the orifice.
- Stream Regulator:** To adjust stream height see Instruction No. 12 under "START UP" Section on Page 3.
- Temperature Control:** Factory set for 50° F. water ($\pm 5^\circ$) under normal conditions. For colder water, adjust screw on Item No. 23 (see below). **CAUTION:** Do not force screw against stops. Turn clockwise for colder water, counterclockwise for warmer.
- Ventilation:** Condenser fins and louvers should be periodically cleaned with a brush, air hose or vacuum cleaner.
- Lubrication:** Motors are lifetime lubricated.



FOR PARTS, CONTACT YOUR LOCAL DISTRIBUTOR OR CALL 1-800-323-0620