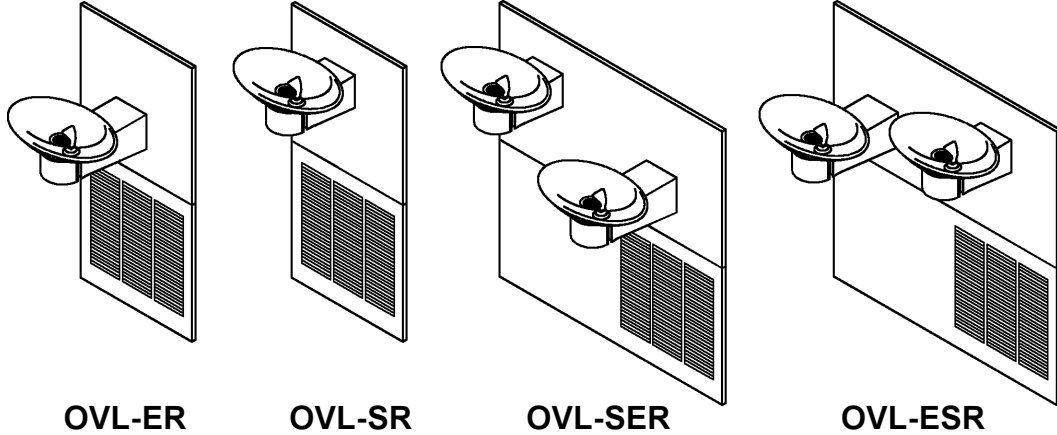


# Halsey Taylor Owners Manual

## Refrigerated Fountains



OVL-ER

OVL-SR

OVL-SER

OVL-ESR

### Installer

To assure you install this model easily and correctly, PLEASE READ THESE SIMPLE INSTRUCTIONS BEFORE STARTING THE INSTALLATION. CHECK YOUR INSTALLATION FOR COMPLIANCE WITH PLUMBING, ELECTRICAL AND OTHER APPLICABLE CODES. After installation, leave these instructions inside the fountain for future reference.

### IMPORTANT

ALL SERVICE TO BE PERFORMED BY AN AUTHORIZED SERVICE PERSON

### IMPORTANT! INSTALLER PLEASE NOTE.

THE GROUNDING OF ELECTRICAL EQUIPMENT SUCH AS TELEPHONE, COMPUTERS, ETC. TO WATER LINES IS A COMMON PROCEDURE. THIS GROUNDING MAY BE IN THE BUILDING OR MAY OCCUR AWAY FROM THE BUILDING. THIS GROUNDING CAN CAUSE ELECTRICAL FEEDBACK INTO A FOUNTAIN, CREATING AN ELECTROLYSIS WHICH CAUSES A METALLIC TASTE OR AN INCREASE IN THE METAL CONTENT OF THE WATER. THIS CONDITION IS AVOIDABLE BY USING THE PROPER MATERIALS AS INDICATED. ANY DRAIN FITTINGS PROVIDED BY THE INSTALLER SHOULD BE MADE OF PLASTIC TO ELECTRICALLY ISOLATE THE FOUNTAIN FROM THE BUILDING PLUMBING SYSTEM.

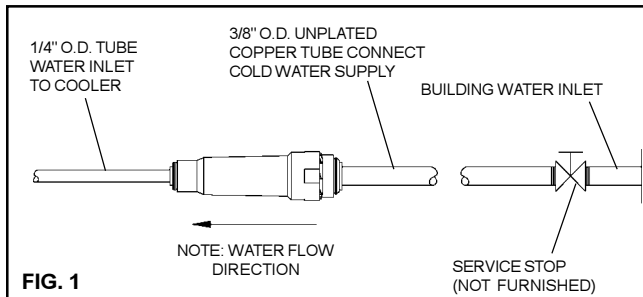


FIG. 1

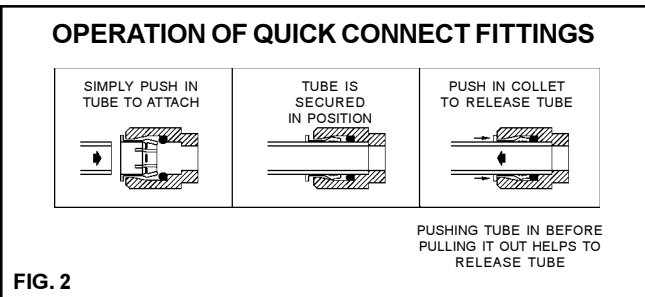


FIG. 2

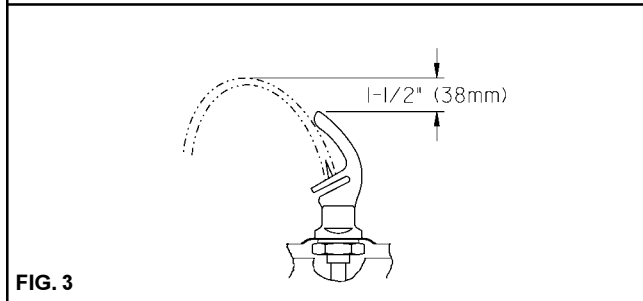


FIG. 3

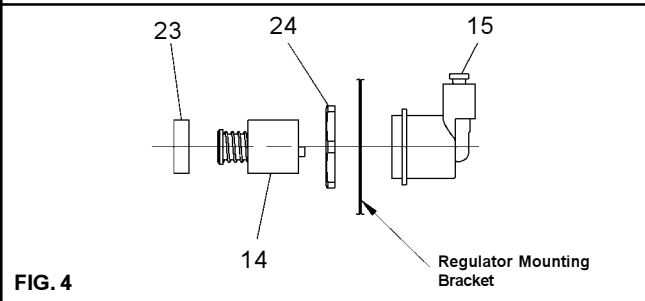
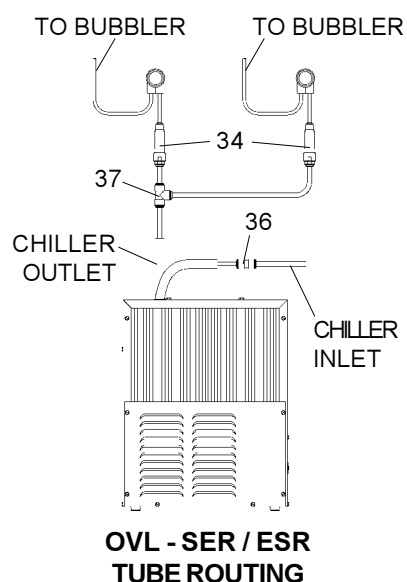
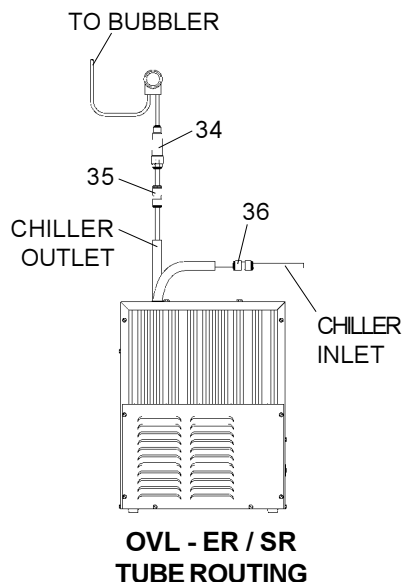


FIG. 4

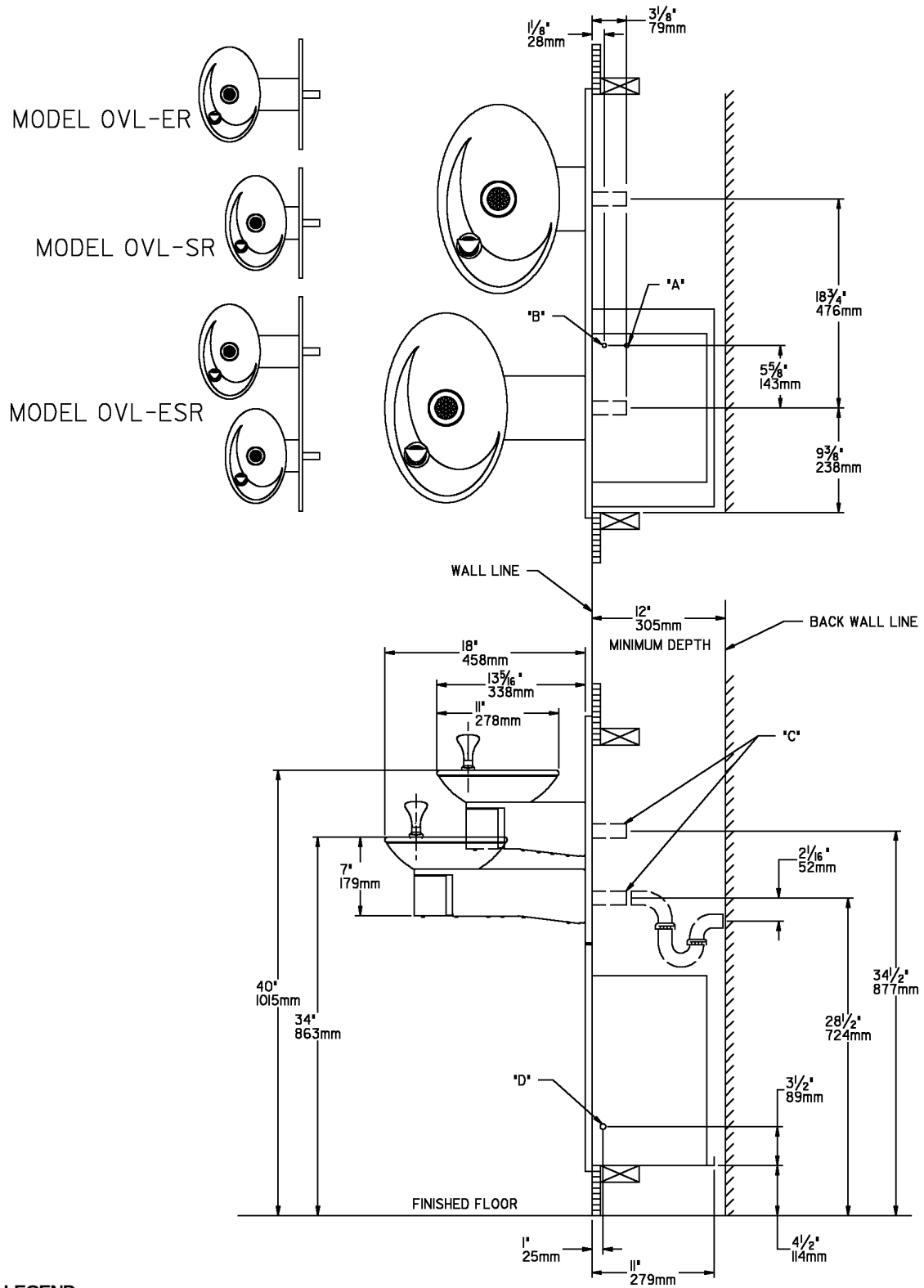
## OVL - EBP/SBP/SEBP/ESBP COOLER INSTALLATION

1. Hang the top panel on the mounting frame hanger. Holes in the panel should align with the holes on the mounting frame.
  2. Remove access cover plate on underside of fountain. Install the fountain to the panel by using the 5/16" machine screws. The 5/16" machine screws go through the fountain, panel, and thread into the frame or front of the panel. Cut waste tube on the fountain as required.
  3. To remove waste elbow, remove (4) screws (item 18) and drop bottom plate (item 20) and push bar (item 2) down. Waste elbow slip nut (item 13) is now accessible.
- 3.5 Install trap(s) and connect drain(s) to building drain.**
4. Place chiller on mounting frame shelf. Attach inlet line and supply stop (not furnished) to chiller. Inlet is marked on chiller.
  5. Run 3/8" (10 mm) unplated copper tubing from chiller outlet to fountain. Remove burr from outside of water line. Insert water line to positive stop approximately 3/4" (19 mm) on inlet side of strainer. Connect tubing to chiller outlet. Insulate tubing with insulation provided. See chiller installations instructions for electrical hook up and chiller installation. **DO NOT SOLDER TUBES INSERTED INTO THE STRAINER AS DAMAGE TO THE O-RINGS MAY RESULT.**
  6. Turn on water supply and check for leaks. Adjust fountain stream by adjusting regulator screw on (item 14) until a stream height of 1-1/2" (38mm) above the projector is obtained. Replace fountain access cover plate. Run chiller and check for correct functions ( see chiller installation instructions). If needed, adjust push arm/regulator clearance by turning phillips head screw on regulator bracket ass'y (item 26, fig.7). Turning screw CCW should correct water coming out of projector continuously.
  7. Start (2) 10-24 x 5/8" screws into mounting frame, bottom lip for bottom access panel. The top edge of the bottom access panel has a "tongue" designed to slip under lower edge of the top panel. There are open slots on bottom for the (2) 10-24 screws. Install panel and tighten screws down.

NOTE:  
SEE PAGE 4 FOR PART NUMBERS



MODEL OVL-SER SHOWN



LEGEND:

- A = 3/8" O.D. UNPLATED COPPER TUBE CONNECT (CHILLER WATER OUTLET)
- B = 3/8" O.D. UNPLATED COPPER TUBE CONNECT (CHILLER WATER INLET) SHUT OFF VALVE BY OTHERS
- C = 1-1/4" O.D. WASTE TUBE (ELBOW AND TRAP NOT PROVIDED)
- D = ELECTRICAL INLET

FIG. 5

PARTS LIST		
ITEM NO.	PART NO.	DESCRIPTION
1	26990C	Bottom Cover (OVL-S)
	26988C	Bottom Cover (OVL-E)
2	55836C	Push Arm Actuator
	55991C	Push Arm Actuator - AG
3	51546C	Bubbler
	45396C	Bubbler - AG
4	100322740560	Bubbler Gasket
5	160270508640	Strainer Plate
	45400C	Strainer Plate - AG
6	101570540560	Drain Gasket
7	51575C	Packing Ring
8	110346208550	Drain Nut
9	101637451550	Friction Ring
10	161637308640	Drain Plug
	45398C	Drain Plug - AG
11	45683C	Waste Elbow (OVL-E)
	45682C	Waste Elbow (OVL-S)
12	100023340560	Waste Tube Gasket
13	161570808550	Slip Nut
14	61314C	Regulator
15	50986C	Regulator Holder
16	27006C	Basin
	27342C	Basin - AG
17	27000C	Basin Liner
	27344C	Basin Liner - AG
18	70861C	Screw #10-24 x 2
19	55840C	Top Plate - Actuator
20	55839C	Bottom Plate - Actuator
21	27002C	Arm w/Weldnuts (OVL-E)
	27338C	Carrier Arm - AG (OVL-E)
	27004C	Arm w/Weldnuts (OVL-S)
	27340C	Carrier Arm - AG (OVL-S)
22	26992C	Regulator Mounting Bracket
23	15005C	Nut - Retaining
24	40045C	Nut Hex - UNPLTD
25	27008C	Reaction Bracket
26	70856C	Screw #10-24 x .38 PHMS
27	70854C	Rod - Pivot
28	50198C	Bushing Snap
29	51468C	Bumper - Reg. Valve Assy
30	22646C	Reg. Arm Assy
31	22635C	Arm - Reg. Adjust
32	22797C	Back Panel (OVL-EBP)
	27885C	Back Panel (OVL-EBP) (AG)
	22799C	Back Panel (OVL-SBP)
	27887C	Back Panel (OVL-SBP) (AG)
	26958C	Back Panel (OVL-SEBP)
	27889C	Back Panel (OVL-SEBP) (AG)
	22795C	Back Panel (OVL-ESBP)
	27891C	Back Panel (OVL-ESBP) (AG)
33	26833C	Bottom Panel (OVL-ER/SR)
	27893C	Bottom Panel (OVL-ER/SR) (AG)
	27026C	Bottom Panel (OVL-SER/ESR)
	27895C	Bottom Panel (OVL-SER/ESR) (AG)
34	55996C	Strainer
35	70870C	Union - 3/8"
36	70745C	Union - 3/8" x 1/4"
37	70852C	Tee - 1/4"
NS	27089C	Back Panel Hanger Bracket (OVL-EBP/SBP)
NS	27090C	Back Panel Hanger Bracket (OVL-SEBP/ESBP)
NS	15008C	Bubbler Nipple Assy
NS	56092C	Tubing - Poly 48" (Cut To Length)

TROUBLE SHOOTING AND MAINTENANCE

**Orifice Assy:** Mineral deposits on orifice can cause water flow to spurt or not regulate. Mineral deposits may be removed from the orifice with a small round file or small diameter wire.

CAUTION: DO NOT file or cut orifice material.

**Stream Regulator:** If orifice is clean, regulate flow as in "STREAM HEIGHT ADJUSTMENT" instructions on pg 2. If replacement is necessary, see parts list for correct regulator part number.

**Actuation of Quick Connect Water Fittings:** Fountain is provided with lead-free connectors which utilize an o-ring water seal. To remove tubing from the fitting, relieve water pressure, push in on the gray collar while pulling on the tubing.(see Fig.2) To insert tubing, push tube straight into fitting until it reaches a positive stop, approximately 3/4".

CAUTION: Cleaning of Aztec Gold Models requires special care. Outer surfaces must be cleaned with a mild detergent or mixture of vinegar and water only, rinsed and wiped dry. Abrasive and acidic cleaners may eventually damage the Aztec Gold finish.

REGULATOR MOUNTING MECHANISM

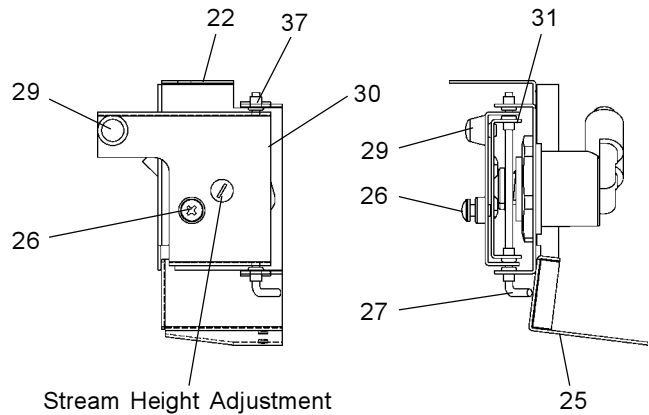


FIG. 7

PUSH BAR MECHANISM

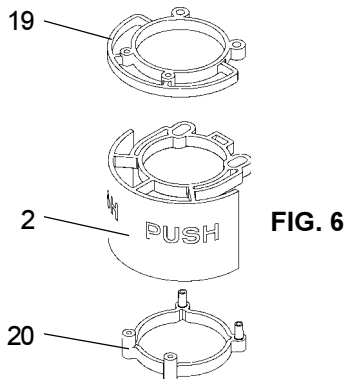


FIG. 6

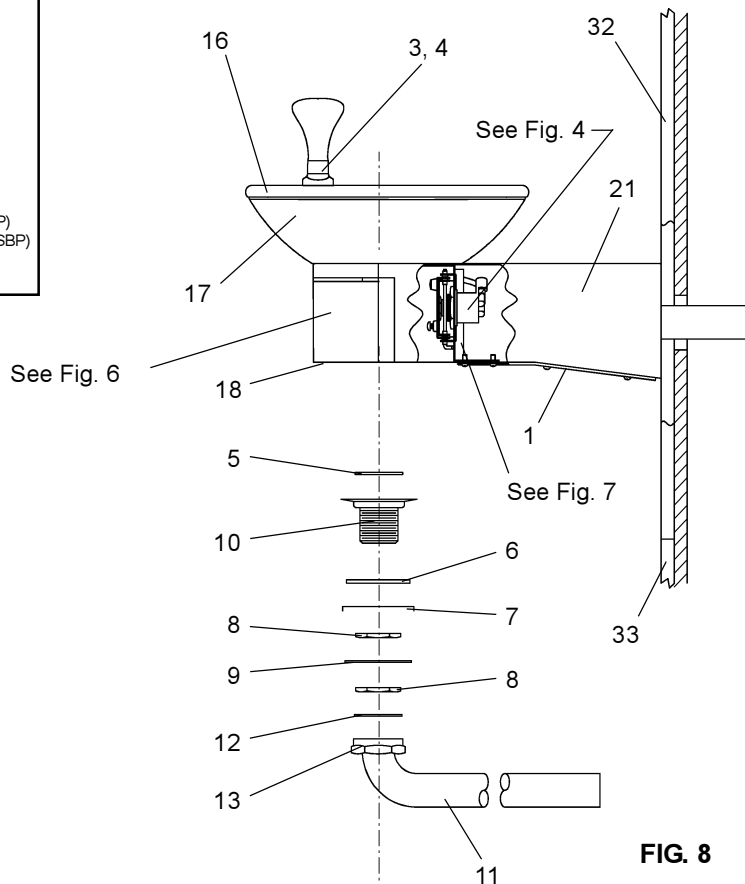


FIG. 8

**Halsey Taylor**  
 2222 CAMDEN COURT  
 OAK BROOK, IL 60523  
 630.574.3500