

# HALSEY TAYLOR OWNERS MANUAL

USES HFC-134A REFRIGERANT

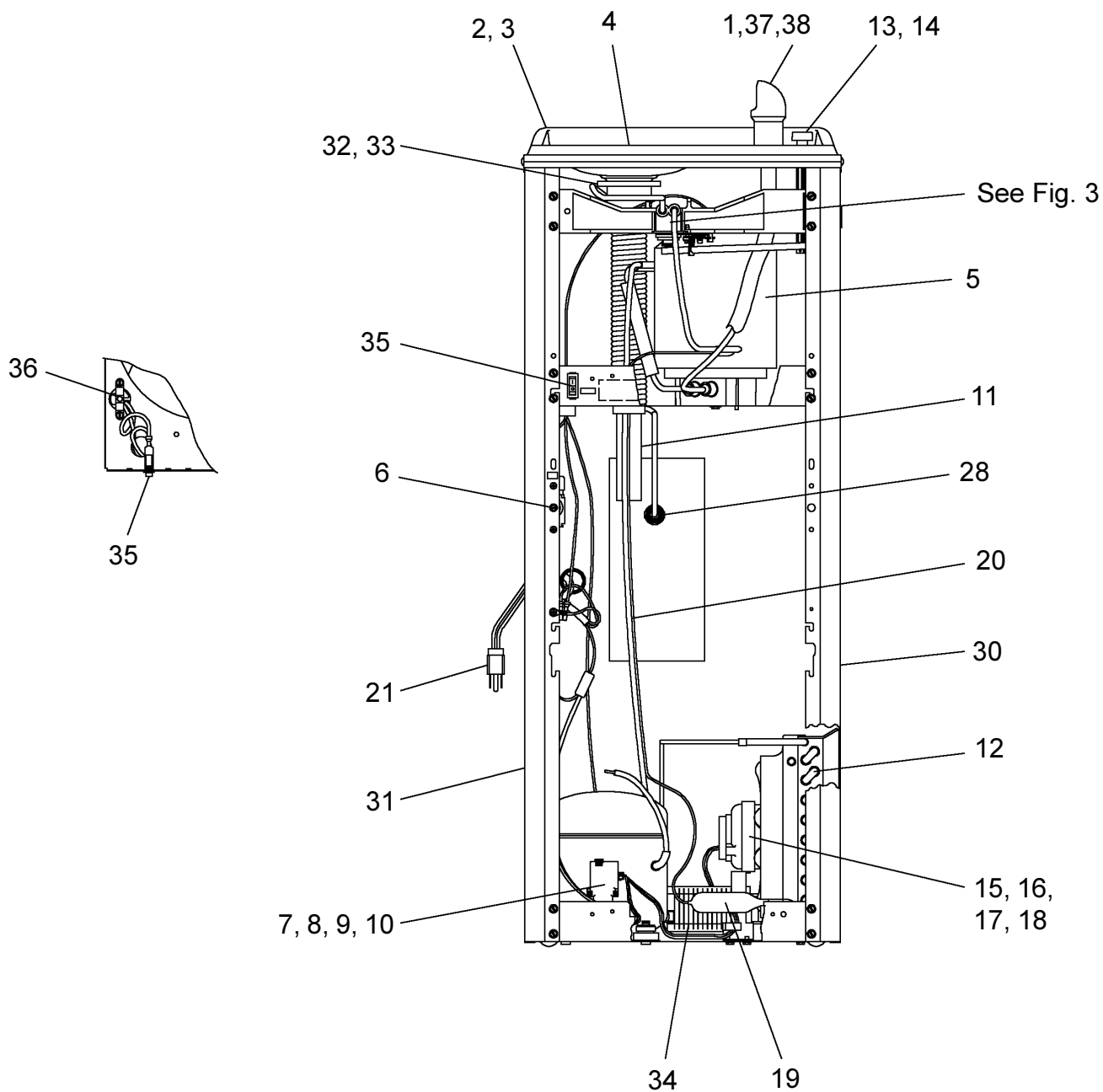


FIG. 1

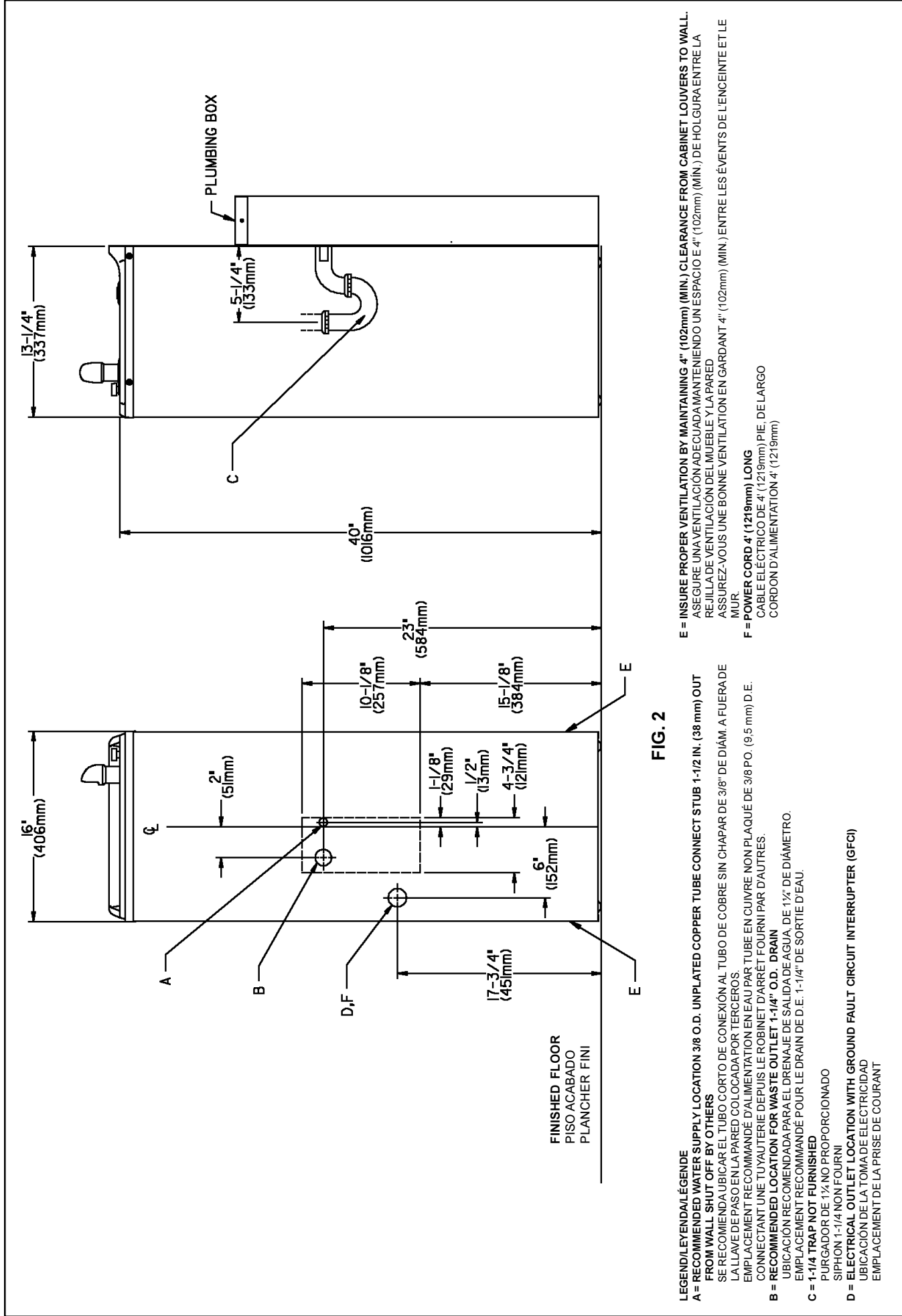


FIG. 2

**LEGEND/LEYENDA/LÉGENDE**  
**A = RECOMMENDED WATER SUPPLY LOCATION 3/8 O.D. UNPLATED COPPER TUBE CONNECT STUB 1-1/2 IN. (38 mm) OUT FROM WALL SHUT OFF BY OTHERS**  
 SE RECOMIENDA UBICAR EL TUBO CORTO DE CONEXIÓN AL TUBO DE COBRE SIN CHAPAR DE 3/8" DE DIÁM. A FUERA DE LA LLAVE DE PASO EN LA PARED COLOCADA POR TERCEROS.  
**B = RECOMMENDED LOCATION FOR WASTE OUTLET 1-1/4" O.D. DRAIN**  
 EMPLACEMENT RECOMMANDÉ D'ALIMENTATION EN EAU PAR TUBE EN CUIVRE NON PLAQUÉ DE 3/8 PO. (9.5 mm) D.E. CONNECTANT UNE TUYAUTERIE DEPUIS LE ROBINET D'ARRÊT FOURNI PAR D'AUTRES.  
**C = 1-1/4 TRAP NOT FURNISHED**  
 UBICACIÓN RECOMENDADA PARA EL DRENAJE DE SALIDA DE AGUA, DE 1 1/4" DE DIÁMETRO.  
**D = ELECTRICAL OUTLET LOCATION WITH GROUND FAULT CIRCUIT INTERRUPTER (GFCI)**  
 EMPLACEMENT RECOMMANDÉ POUR LE DRAIN DE D.E. 1-1/4" DE SORTIE D'EAU.  
**E = INSURE PROPER VENTILATION BY MAINTAINING 4" (102mm) (MIN.) CLEARANCE FROM CABINET LOUVERS TO WALL.**  
 ASIGURE UNA VENTILACIÓN ADECUADA MANTENIENDO UN ESPACIO E 4" (102mm) (MIN.) DE HOLLGURA ENTRE LA REJILLA DE VENTILACIÓN DEL MUEBLE Y LA PARED.  
**F = POWER CORD 4' (1219mm) LONG**  
 CORDON D'ALIMENTATION 4' (1219mm) MUR.  
 CABLE ELÉCTRICO DE 4' (1219mm) PIE DE LARGO

### PUSH BUTTON VALVE ADJUSTMENT

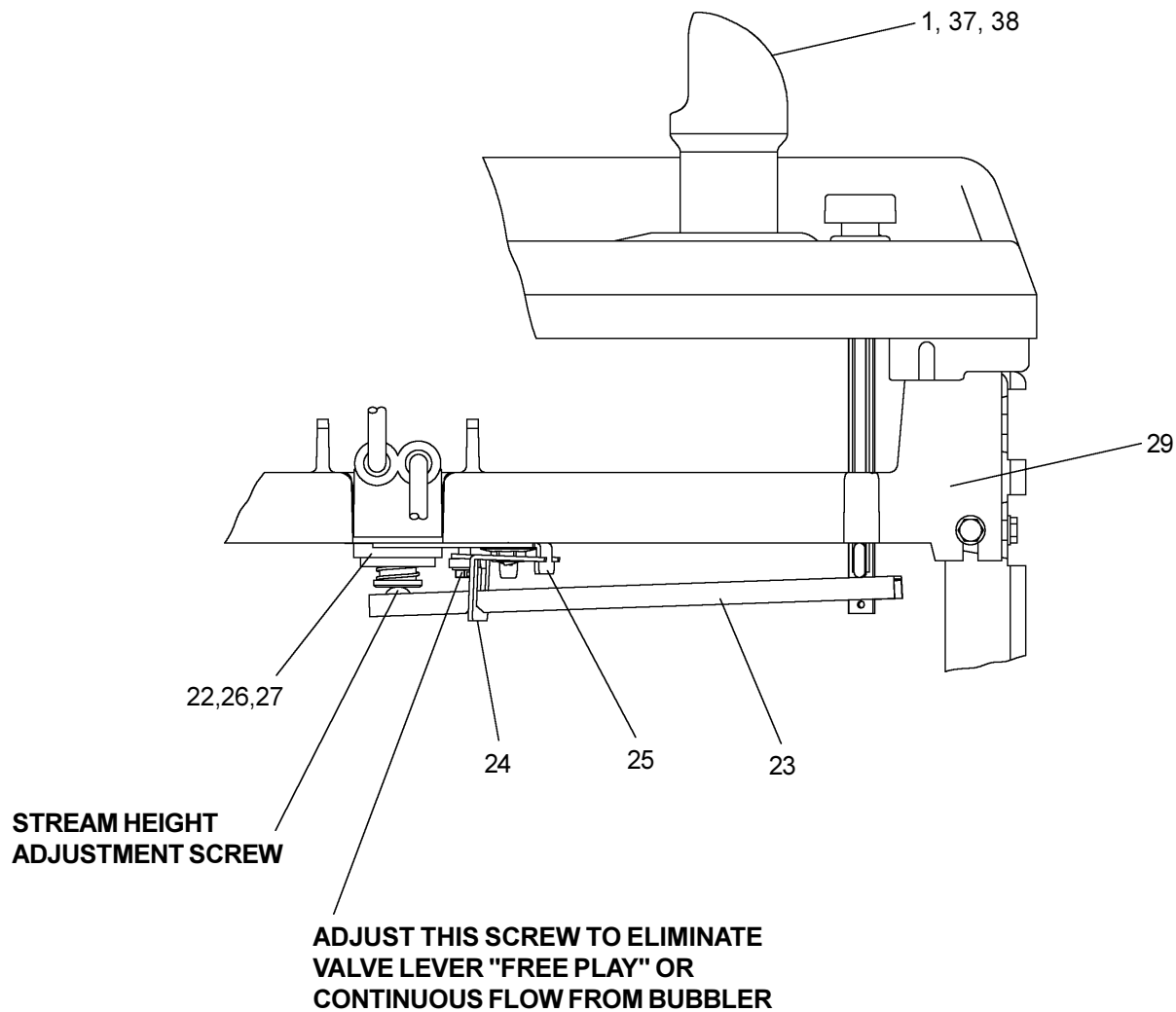


FIG. 3

ITEMIZED PARTS LIST		
ITEM NO.	PART NO.	DESCRIPTION
1	45392C	Bubbler
2	102639931640	Drain Plug
3	160270508640	Strainer Plate
4	171403742590	Basin
5	66506C	Evaporator
6	31513C	Cold Control
7*	35762C	Compressor Serv. Pak
8	31027C	Overload/Relay Assy
9	194243901550	Electrical Shield
10	35766C	Relay Cover
11	45678C	Precooler
12	66252C	Condenser
13	101453431640	Cap Push Button
14	101507531550	Push Button Stem
15	31490C	Fan Motor
16	104209543730	Fan Blade
17	70018C	Fan Blade Nut
18	402672043730	Fan Motor Bracket
19	66202C	Drier
20	66229C	Heat Exchanger
21	35901C	Power Cord
22	15005C	Regulator Retaining Nut
23	26860C	Regulator Lever
24	26861C	Pivot Bracket
25	26862C	Regulator Retaining Bracket
26	50986C	Regulator Holder
27	61314C	Regulator
28	55996C	Strainer
29	55880C	Regulator Mounting Bracket
30	401536242830	Side Panel - Right
31	401536342830	Side Panel - Left
32	55885C	Nut - 1-1/4" Slip Nut
33	55913C	Adaptor - Drain
34	35906C	Heater Strip
35	35907C	Switch-Heater
36	35910C	Heater Thermostat Assy
37	75564C	Washer - Locking
38	15008C	Bubbler Nipple Assy
NS	401507442830	Front Panel
NS	27113C	Box - Mounting
NS	27112C	Cover - Plumbing

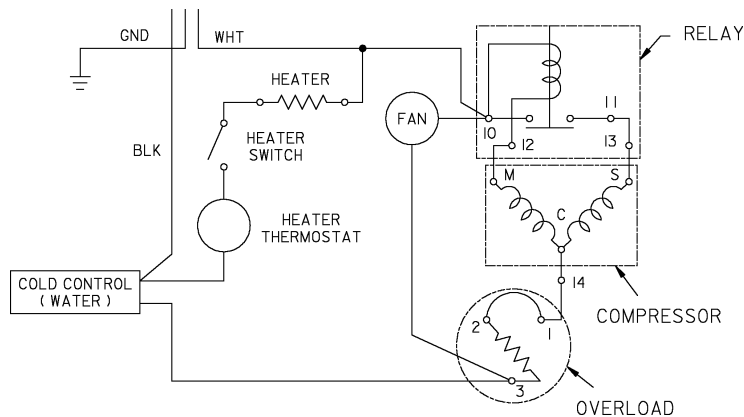
**WARNING!**

This unit is frost resistant down to 0° F with no wind. Prevailing winds can reduce the ability of the heater element to prevent light freezing. If the ambient air temperature will drop below 0° F, the cooler needs to be drained of all water by blowing out all water lines, evaporator (item 5), and the drain trap. A heater strip is used to heat the unit and will begin to cycle at 40° +/- 5° F. A check at this temperature will ensure the heater is working and the unit is resistant to light freezing.

**ALSO, MAKE SURE THERE ARE NO PLASTIC OR FLAMMABLE COMPONENTS DIRECTLY ABOVE THE HEATER STRIP.**

**\*INCLUDES RELAY & OVERLOAD. IF UNDER WARRANTY, REPLACE WITH SAME COMPRESSOR USED IN ORIGINAL ASSEMBLY.**

NOTE: All correspondence pertaining to any of the above water coolers or orders for repair parts MUST include Model No. and Serial No. of cooler, name and part number of replacement part.



Wiring Diagram

**Halsey Taylor**  
 2222 CAMDEN COURT  
 OAKBROOK, IL 60523  
 630.574.3500