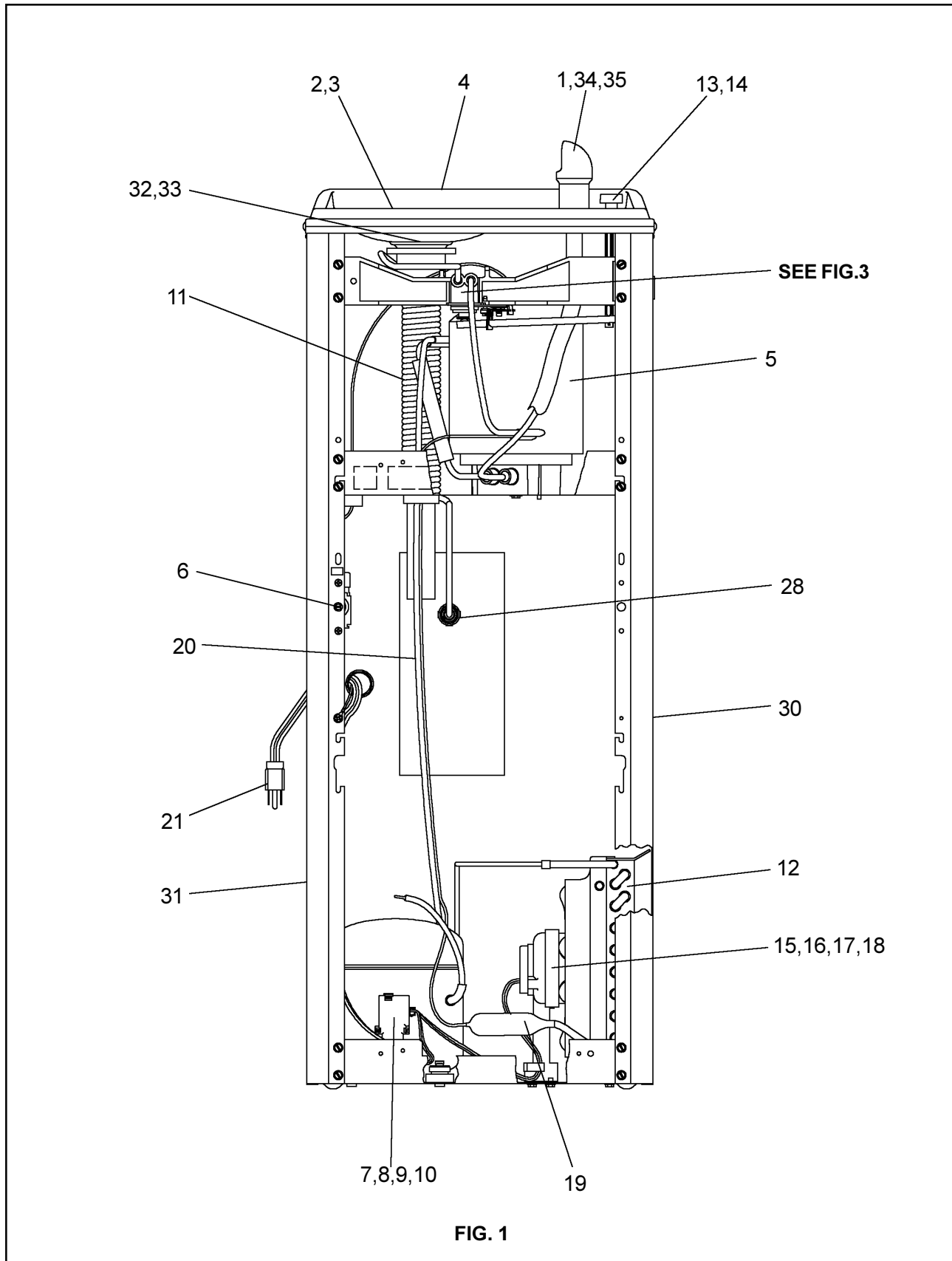


# HALSEY TAYLOR OWNERS MANUAL

USES HFC-134A REFRIGERANT



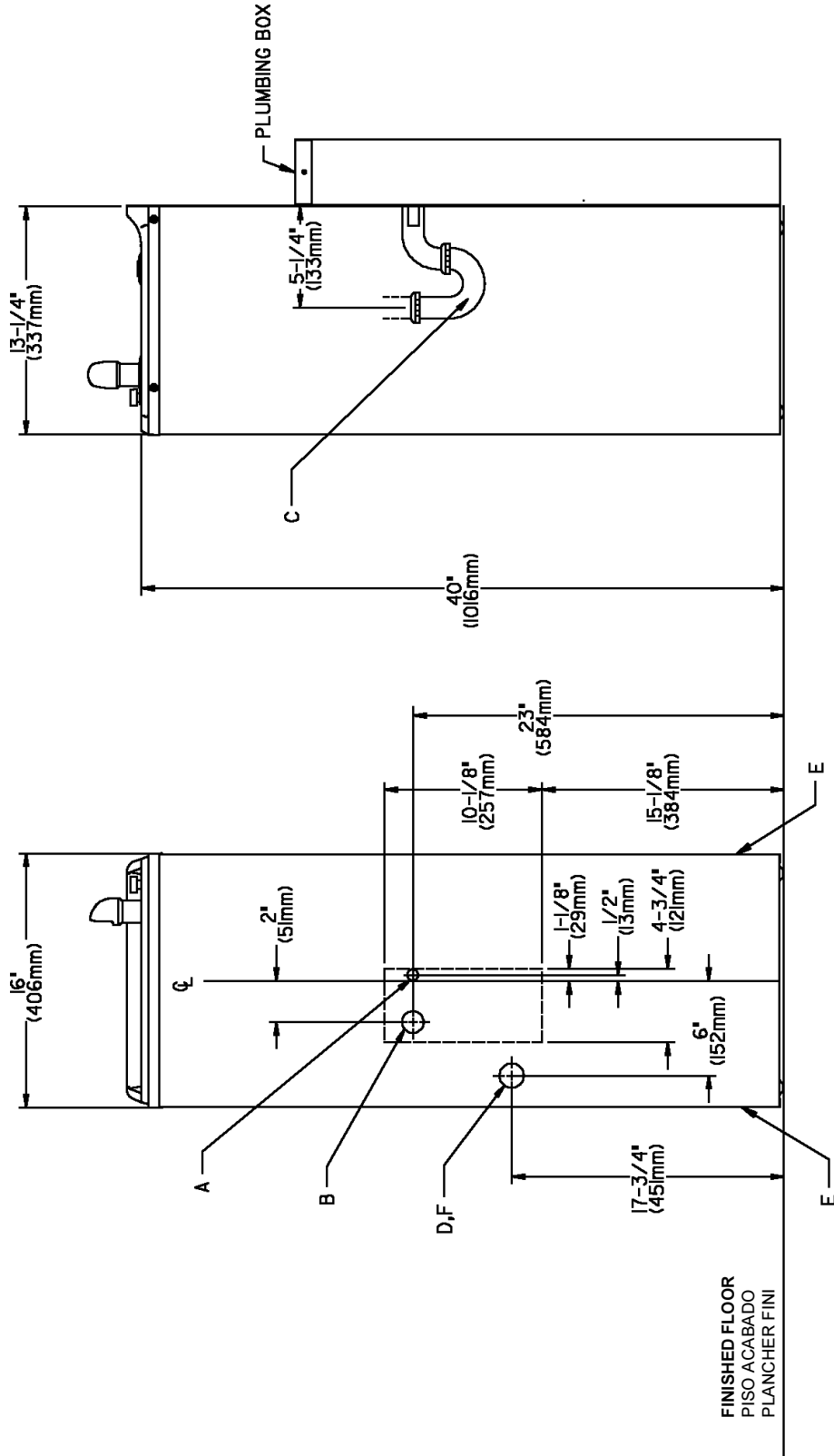


FIG. 2

E = INSURE PROPER VENTILATION BY MAINTAINING 4" (102mm) (MIN.) CLEARANCE FROM CABINET LOUVERS TO WALL.  
 ASEGURE UNA VENTILACION ADECUADA MANTENIENDO UN ESPACIO E 4" (102mm) (MIN.) DE HOLGURA ENTRE LA  
 REJILLA DE VENTILACION DEL MUEBLE Y LA PARED  
 ASSUREZ-VOUS UNE BONNE VENTILATION EN GARDANT 4" (102mm) (MIN.) ENTRE LES ÉVÉNENTS DE L'ENCEINTE ET LE  
 MUR  
 F = POWER CORD 4' (1219mm) LONG  
 CABLE ELECTRICO DE 4' (1219mm) PIE-DE-LARGO  
 CORDON D'ALIMENTATION 4' (1219mm)

LEGEND/LEYENDA/LEGENDE  
 A = RECOMMENDED WATER SUPPLY LOCATION 3/8 O.D. UNPLATED COPPER TUBE CONNECT STUB 1-1/2 IN. (38 mm) OUT  
 FROM WALL SHUT OFF BY OTHERS  
 SE RECOMIENDA UBICAR EL TUBO CORTO DE CONEXIONAL TUBO DE COBRE SIN CHAPAR DE 3/8" DE DIAM. A FUERA DE  
 LA LLAVE DE PASO EN LA PARED COLOCADO POR TERCEROS  
 EMPLACEMENT RECOMMANDÉ D'ALIMENTATION EN EAU PAR TUBE EN CUIVRE NON PLAQUÉ DE 3/8 PO. (9.5 mm) D.E.  
 CONNECTANT UNE TUYAUTERIE DEPUIS LE ROBINET D'ARRÊT FOURNI PAR D'AUTRES.  
 B = RECOMMENDED LOCATION FOR WASTE OUTLET 1-1/4" O.D. DRAIN  
 UBICACIÓN RECOMENDADA PARA EL DRENAJE DE SALIDA DE AGUA, DE 1 1/4" DE DIÁMETRO.  
 EMPLACEMENT RECOMMANDÉ POUR LE DRAIN DE D.E. 1-1/4" DE SORTIE D'EAU.  
 C = 1-1/4" TRAP NOT FURNISHED  
 PURGADOR DE 1 1/4" NO PROPORCIONADO  
 SIPHON 1-1/4" NON FOURNI  
 D = ELECTRICAL OUTLET LOCATION WITH GROUND FAULT CIRCUIT INTERRUPTER (GFCI)  
 UBICACIÓN DE LA TOMA DE ELECTRICIDAD  
 EMPLACEMENT DE LA PRISE DE COURANT

### PUSH BUTTON VALVE ADJUSTMENT

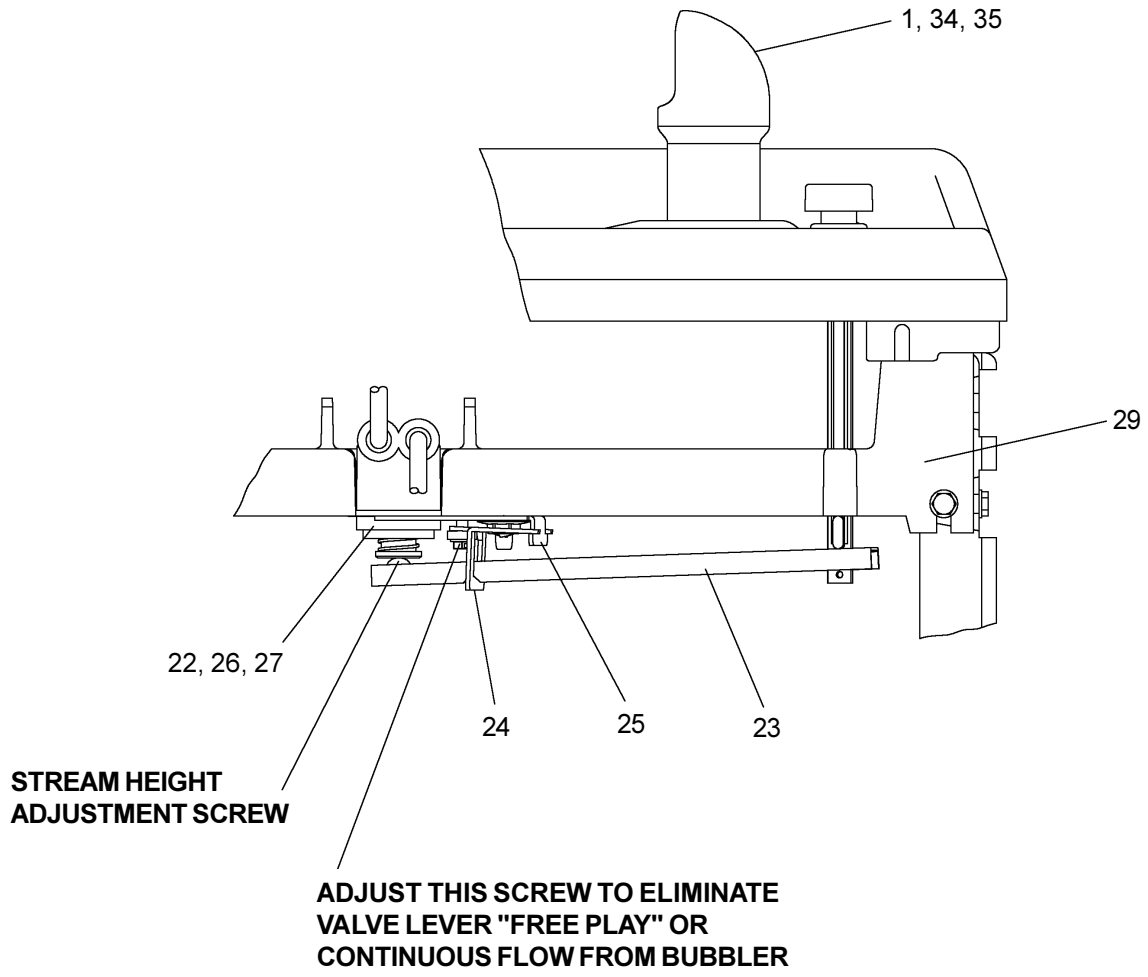


FIG. 3

## ITEMIZED PARTS LIST

ITEM NO.	PART NO.	DESCRIPTION
1	45392C	Bubbler
2	102639931640	Drain Plug
3	160270508640	Strainer Plate
4	171403742590	Basin
5	66506C	Evaporator
6	31513C	Cold Control
7*	35762C	Compressor Serv. Pak
8	31027C	Overload/Relay Assy
9	194243901550	Electrical Shield
10	35766C	Relay Cover
11	45678C	Precooler
12	66252C	Condenser
13	101453431640	Cap Push Button
14	101507531550	Push Button Stem
15	31490C	Fan Motor
16	104209543730	Fan Blade
17	70018C	Fan Blade Nut
18	402672043730	Fan Motor Bracket
19	66202C	Drier
20	66229C	Heat Exchanger
21	35873C	Power Cord
22	15005C	Regulator Retaining Nut
23	26860C	Regulator Lever
24	26861C	Pivot Bracket
25	26862C	Regulator Retaining Bracket
26	50986C	Regulator Holder
27	61314C	Regulator
28	55996C	Strainer
29	55880C	Regulator Mounting Bracket
30	401536242830	Side Panel - Right
31	401536342830	Side Panel - Left
32	55885C	Nut - 1-1/4" Slip Nut
33	55913C	Adaptor - Drain
34	75564C	Washer - Locking
35	15008C	Bubbler Nipple Assy
NS	401507442830	Front Panel
NS	27113C	Box - Mounting
NS	27112C	Cover - Plumbing

\*INCLUDES RELAY & OVERLOAD. IF UNDER WARRANTY, REPLACE WITH SAME COMPRESSOR USED IN ORIGINAL ASSEMBLY.

NOTE: All correspondence pertaining to any of the above water coolers or orders for repair parts MUST include Model No. and Serial No. of cooler, name and part number of replacement part.

*Halsey Taylor*

2222 CAMDEN COURT  
OAK BROOK, IL 60523  
630.574.3500

PRINTED IN U.S.A.

FOR PARTS, CONTACT YOUR LOCAL DISTRIBUTOR OR CALL 1.800.323.0620