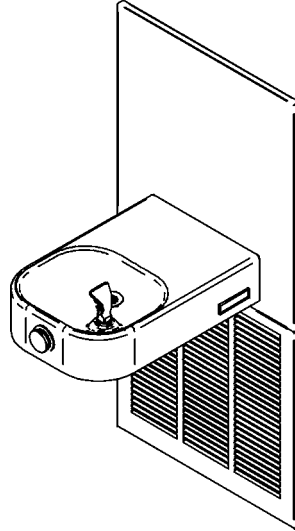


Halsey Taylor Owners Manual

Refrigerated Fountain with Back Panel



HCRF - ER

Installer

To assure you install this model easily and correctly, PLEASE READ THESE SIMPLE INSTRUCTIONS BEFORE STARTING THE INSTALLATION. CHECK YOUR INSTALLATION FOR COMPLIANCE WITH PLUMBING, ELECTRICAL AND OTHER APPLICABLE CODES. After installation, leave these instructions inside the fountain for future reference.

IMPORTANT

ALL SERVICE TO BE PERFORMED BY AN AUTHORIZED SERVICE PERSON

IMPORTANT! INSTALLER PLEASE NOTE.

THE GROUNDING OF ELECTRICAL EQUIPMENT SUCH AS TELEPHONE, COMPUTERS, ETC. TO WATER LINES IS A COMMON PROCEDURE. THIS GROUNDING MAY BE IN THE BUILDING OR MAY OCCUR AWAY FROM THE BUILDING. THIS GROUNDING CAN CAUSE ELECTRICAL FEEDBACK INTO A FOUNTAIN, CREATING AN ELECTROLYSIS WHICH CAUSES A METALLIC TASTE OR AN INCREASE IN THE METAL CONTENT OF THE WATER. THIS CONDITION IS AVOIDABLE BY USING THE PROPER MATERIALS AS INDICATED. ANY DRAIN FITTINGS PROVIDED BY THE INSTALLER SHOULD BE MADE OF PLASTIC TO ELECTRICALLY ISOLATE THE FOUNTAIN FROM THE BUILDING PLUMBING SYSTEM.

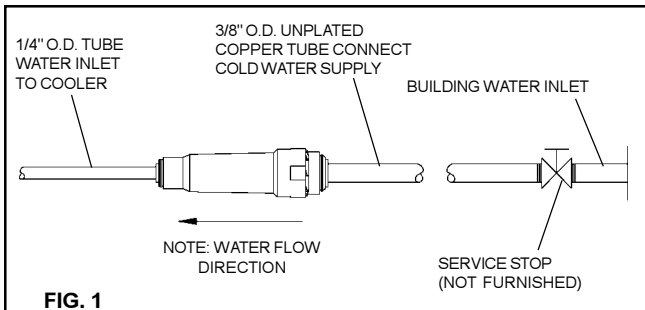


FIG. 1

OPERATION OF QUICK CONNECT FITTINGS

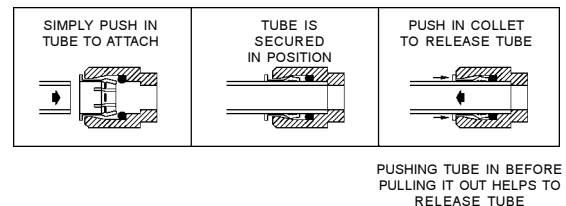
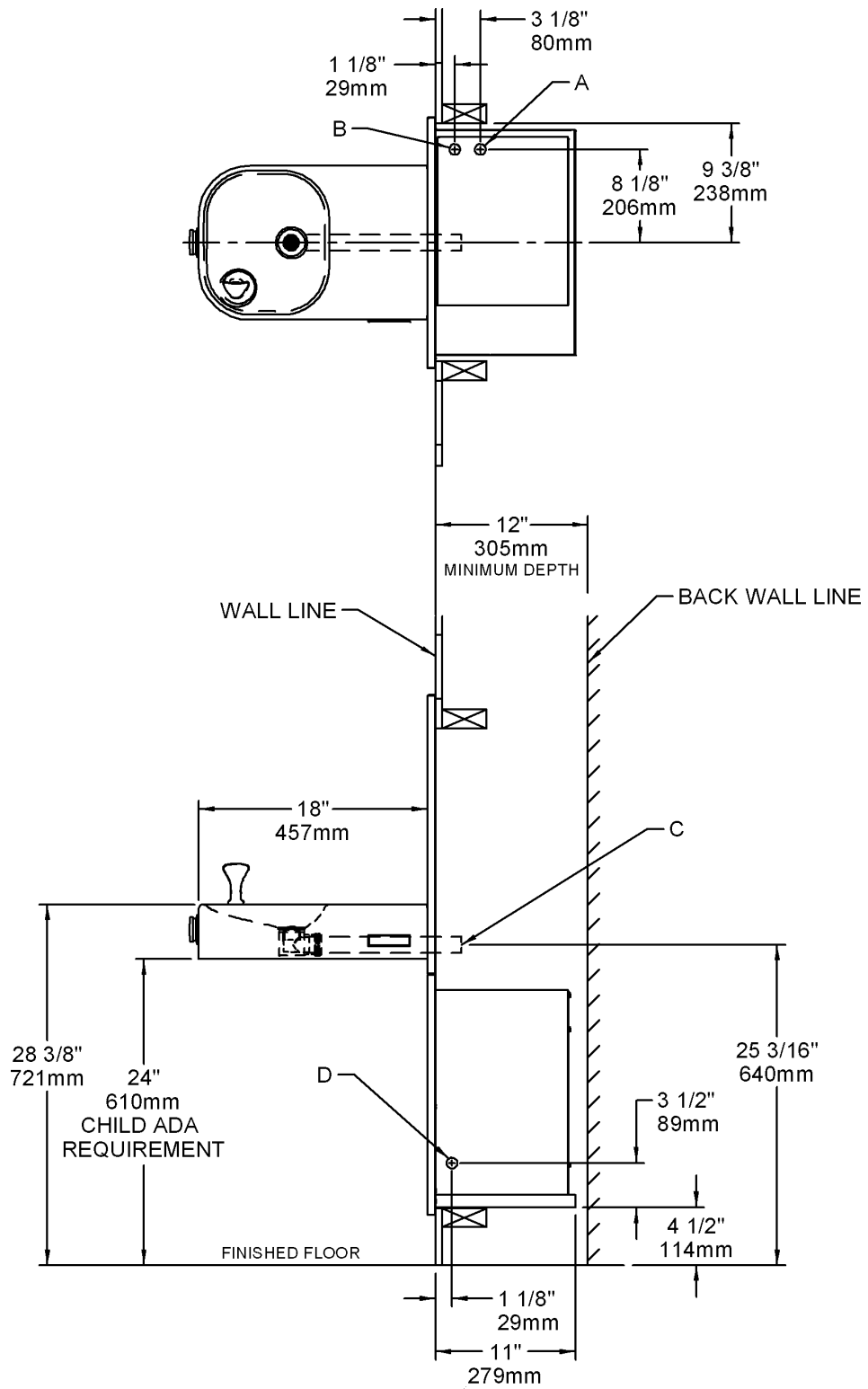


FIG. 2

HCRF-ER ROUGH-IN



- LEGEND:**
A = 3/8" O.D. TUBE WATER OUTLET
B = 3/8" O.D. TUBE WATER INLET
C = 1-1/4" O.D. WASTE TUBE (INCLUDED)
D = ELECTRICAL INLET

FIG. 3

HCRF - ER COOLER INSTALLATION

1. **Install remote chiller.** Remove front panel of chiller. Remove and discard cardboard inner pack from between compressor and side panel. Slide chiller onto the shelf and position it to the left within the guides on the shelf.
NOTE: Building construction must allow for adequate air flow on both sides, top, and back of chiller. A minimum of 4" (102mm) on both sides and top are required. See chiller instructions for additional instructions.
2. **Make water supply connections.** Attach an updated copper water inlet line and service stop (not provided) to the chiller. Inlet port is marked on the chiller (3/8" O.D. copper tube). Bend the copper tube (provided) at an appropriate length from chiller to opening in frame. Install a 3/8" O.D. tube union fitting (provided) on the marked chiller outlet port. Turn on the water supply and flush the line thoroughly.
3. **Hang the upper panel on the mounting frame hanger.** Align holes in the panel with the holes in the mounting frame. Be sure that panel is engaged with hanger at top of frame before releasing it.
4. **Install the fountain.** Remove access cover plate on underside of fountain and save the screws. Mount the fountain to the upper panel and the wall frame with (4) 5/16" x 3/4" (19mm) long bolts and nuts (provided). Tighten securely.
5. **Insert waste tube (provided) into drain on fountain.** Attach waste tube (1 1/4" O.D.) to 1 1/4" O.D. slip trap (provided by others).
6. **Make connections between remote chiller outlet tube and fountain strainer.** Insert the water inlet line into inlet side of strainer by pushing it in until it reaches a positive stop, approximately 3/4" (19mm). Turn on the water supply and check for leaks. **DO NOT SOLDER TUBES INSERTED INTO THE STRAINER AS DAMAGE TO THE O-RINGS MAY RESULT.**
7. **These products are designed** to operate on 20-105 PSIG supply line pressure. If inlet pressure is above 105 PSIG, a pressure regulator must be installed in the supply line. Any damage caused by reason of connecting these products to supply line pressures lower than 20 PSIG or higher than 105 PSIG is not covered by warranty.
8. **Make electrical connections to the chiller.** See chiller instructions.
9. **Check stream height from bubbler.** Stream height is factory set at 45-50 PSI. If supply pressure varies greatly from this, remove items 3 & 4 and adjust the screw on regulator (Item 8). Clockwise adjustment will raise stream height and counter-clockwise will lower stream height. For best adjustment stream height should be approximately 1 1/2" (38mm) above the bubbler guard. (See Figure 6)
10. **Mount lower panel.** Loosen the (2) #10-24 x 5/8" (16mm) screws at frame bottom lip. Slide upper tongue of lower panel under lower edge of already installed upper panel. Tighten previously loosened screws securely.
11. **Replace bottom access panel** to fountain basin using screws provided. Tighten securely.

TROUBLE SHOOTING AND MAINTENANCE

1. **Orifice Assy:** Mineral deposits on orifice can cause water flow to spurt or not regulate. Mineral deposits may be removed from orifice with a small round file not over 1/8" diameter or a small diameter wire.
CAUTION: Do not file or cut orifice materials.
2. **Stream Regulator:** If orifice is clean, regulate flow as in "START UP" instructions. If replacement is necessary, see parts list for correct regulator part number.
3. **Actuation of Quick Connect Water Fittings:** Cooler is provided with lead-free connectors which utilize an o-ring water seal. To remove tubing from the fitting, relieve water pressure, push in on the gray collar while pulling on the tubing (See Fig. 2) To insert tubing, push tube straight into the fitting until it reaches a positive stop, approximately 3/4".

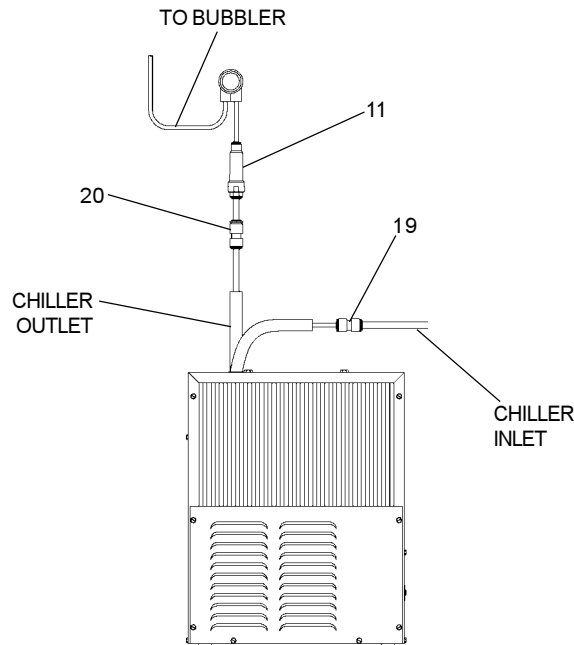
HCRF - ER
TUBE ROUTING

FIG. 4

HCRFERQ - A

PARTS LIST		
ITEM NO.	PART NO.	DESCRIPTION
1	45716C	Drain
2	15005C	Retaining Nut
3	45662C	Push Button
4	45737C	Push Button Sleeve
5	50986C	Regulator Holder
6	51544C	Bubbler Assy
7	15008C	Bubbler - Nipple
8	61313C	Regulator
9	70022C	Setscrew - #6-32 x .31"
10	110711942550	Screw - #8-32 x .38" TH
11	55996C	Strainer
12	55001130	Fountain Arm
13	55000665	Bottom Cover Plate
14	28280C	Back Panel
15	40045C	Hex Nut
16	70055C	Speed Nut
17	28291C	Regulator Mounting Bracket
18	28281C	Lower Panel
19	70745C	Union - 3/8 x 1/4
20	70870C	Union - 3/8 x 3/8
21	56092C	Poly Tubing (Cut To Length)
22	62095C	Tube - Water In
23	45717C	Drain Tube
24	45728C	Drain Ferrule
25	75588C	Nut - Slip Joint
26	75589C	Washer - Seal
27	50074C	Gasket - Tail Pipe
28	100322740560	Gasket
29	45736C	Nut-Regulator Mounting
NS	111577243890	Screw - Mach 5/16-18 x 3/4
NS	111577343890	Nut - Hex 5/16-18

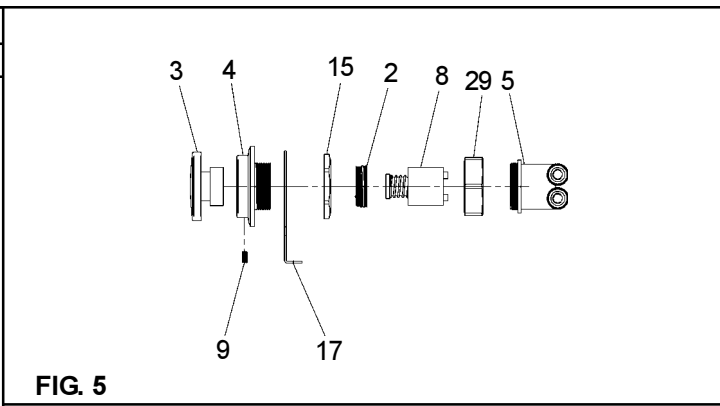


FIG. 5

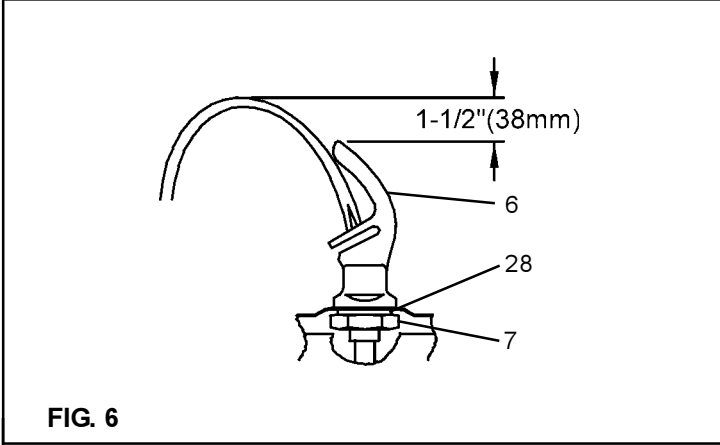


FIG. 6

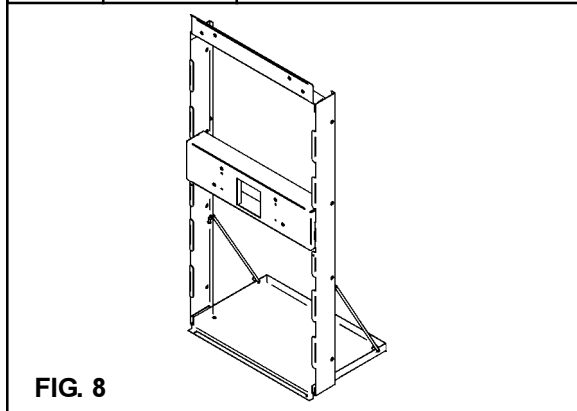


FIG. 8

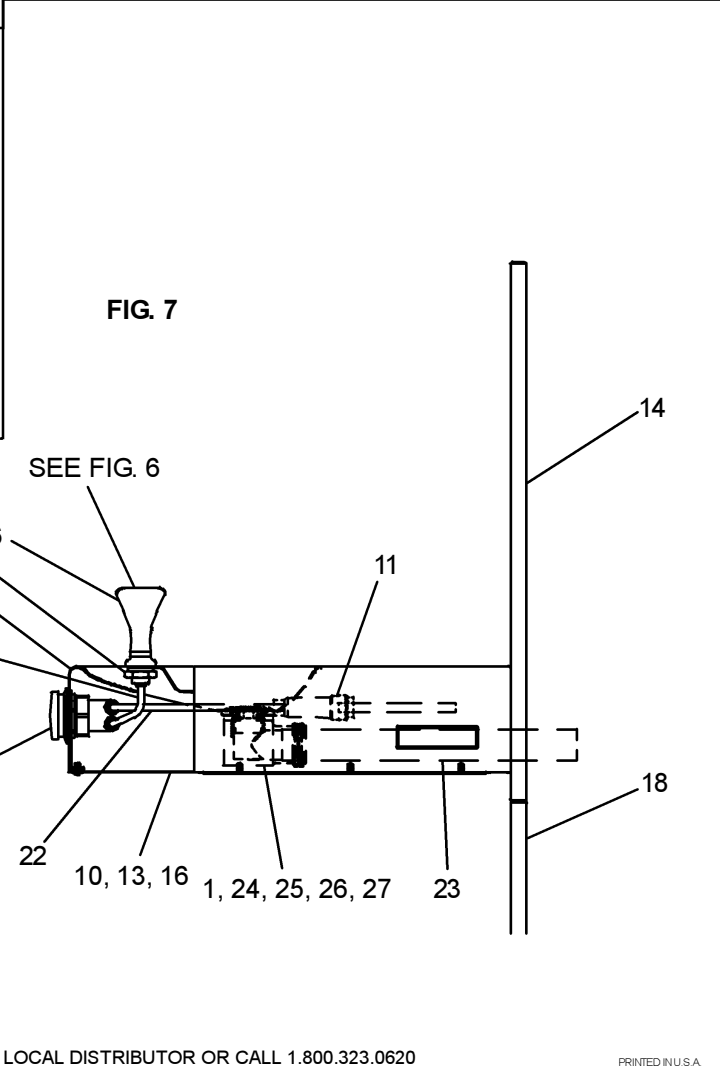


FIG. 7

Halsey Taylor
 2222 CAMDEN COURT
 OAK BROOK, IL 60523
 630.574.3500

FOR PARTS, CONTACT YOUR LOCAL DISTRIBUTOR OR CALL 1.800.323.0620

PRINTED IN U.S.A.