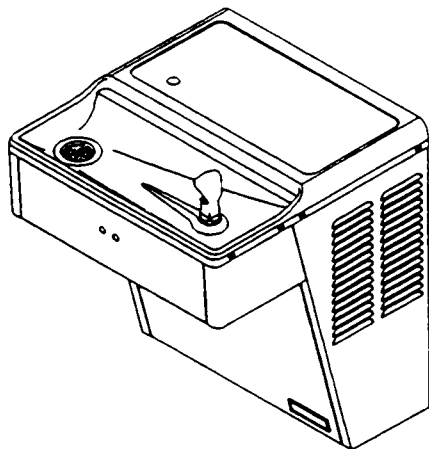


# Halsey Taylor Owners Manual

Models: HAC-EE-Q

USES HFC-134A REFRIGERANT



## Installer

The HAC series coolers are among the easiest to install Barrier-Free Models on the market today. To assure you install this model easily and correctly, PLEASE READ THESE SIMPLE INSTRUCTIONS BEFORE STARTING THE INSTALLATION. CHECK YOUR INSTALLATION FOR COMPLIANCE WITH PLUMBING, ELECTRICAL AND OTHER APPLICABLE CODES. After installation, leave these instructions inside the cooler for future reference.

## IMPORTANT

ALL SERVICE TO BE PERFORMED BY AN AUTHORIZED SERVICE PERSON

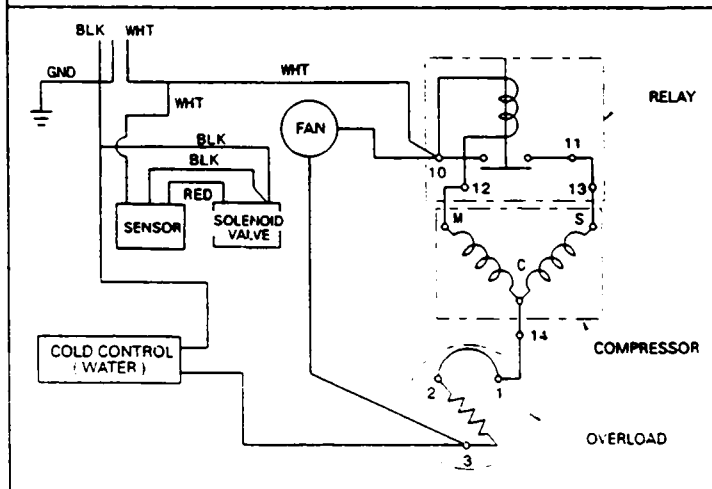
1. Insure proper ventilation by maintaining 6" (min.) clearance from cabinet louvers to wall on each side of cooler.
2. Water supply 3/8" IPS. Waste 1-1/4" IPS. Contractor to supply waste trap and service stop valve in accordance with local codes.
3. Connecting lines should be thoroughly flushed to remove all foreign matter before being connected to cooler. This cooler is manufactured in such a manner that it does not in any way cause taste, odor, color or sediment problems. If a taste, odor or sediment problem is prevalent, try installing our water filter module, Part No. 73-15242-51-550, on the supply line.
4. Electrical: Insure power supply is identical in voltage, cycle and phase to that specified on the cooler data plate. NEVER wire compressor directly to the power supply.
5. See TROUBLE SHOOTING AND MAINTENANCE GUIDE see page 4 for care of Golden Bronzitone Models.
6. Halsey Taylor has glass fillers and glass filler plumbing kits specifically designed for use in your water cooler. Check local listings for a Halsey Taylor dealer near you.

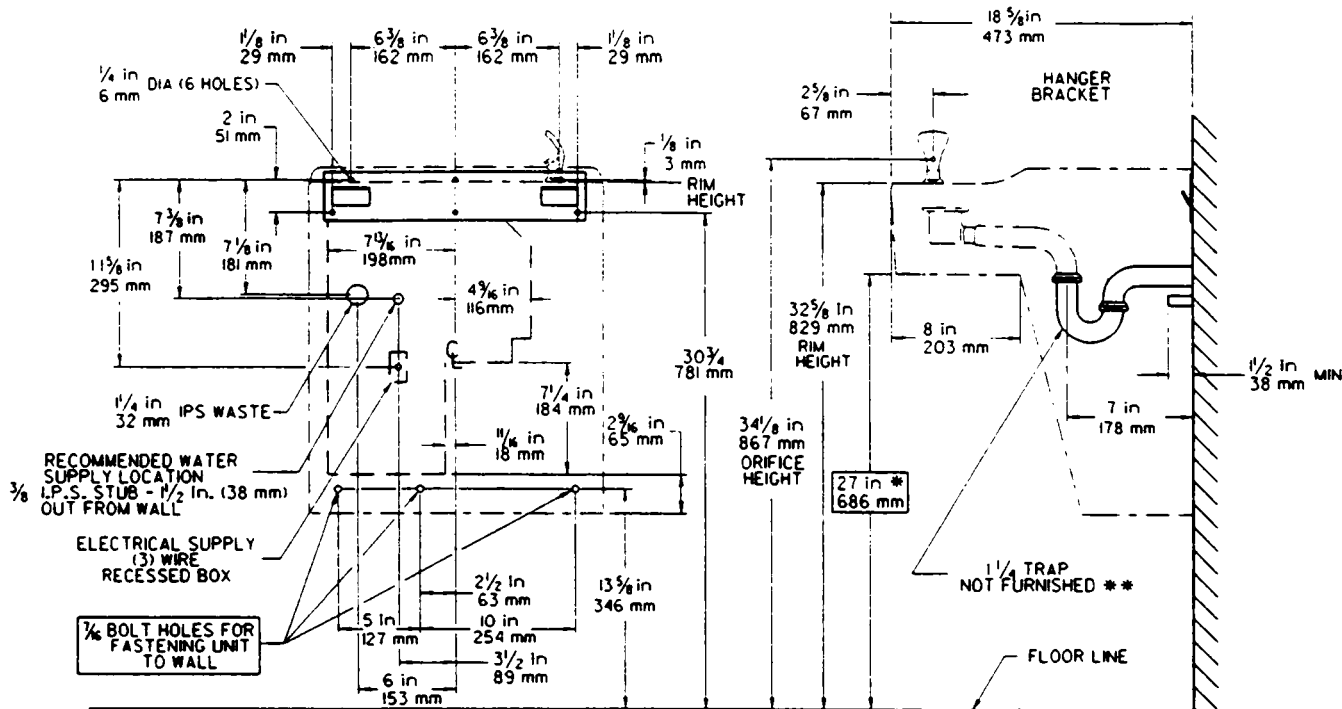
**WARNING:** Warranty is voided if:

- The plumbing kit or glass filler is not specified for use by Halsey Taylor for this particular model.
- Installation is not made in accordance with current Halsey Taylor instructions.

## WIRING DIAGRAM

This drawing is merely for illustrating the components of the electrical system.





\* ADA REQUIREMENT

\*\* When replacing a Model "BFC" with a new unit Model "HAC", installer must cut 1-1/2 inches from length of cooler waste line before connecting to trap (see installation instruction No. 8).

FIG. 1

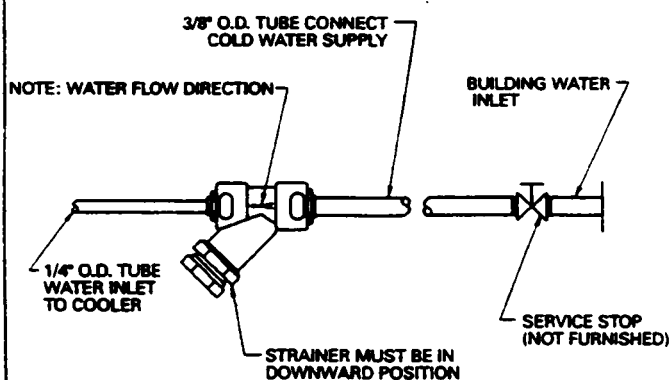


FIG. 2

## HANGER BRACKET & TRAP INSTALLATION

- 1). Remove hanger bracket fastened to back of cooler by removing one (1) screw.
- 2). Mount the hanger bracket and trap as shown in Figure 1. **NOTE:** Hanger Bracket **MUST** be supported securely. Add fixture support carrier if wall will not provide adequate support.

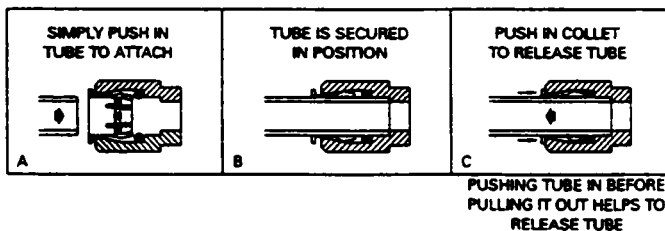
### IMPORTANT:

- 7 in. dimension from wall to centerline of trap must be maintained for proper fit.
  - Anchor hanger securely to wall using all six (6) 1/4 in. dia. mounting holes.
- 3). Install 3/8" IPS. female x 3/8" compression straight service stop to the building water inlet stub.

## INSTALLATION OF COOLER

- 4). Hang the cooler on the hanger bracket. Be certain the hanger bracket is engaged properly in the slots on the cooler back.
- 5). Loosen the two (2) screws holding the lower front panel at the bottom of cooler base and two (2) screws at the top. Remove the front panel and set aside.
- 6). Connect the water line between the service stop valve and cooler. (see Fig. 2).
- 7). **NOTE:** If required, the water inlet line to cooler may be cut to a desired length. However, if water line is cut, all burrs must be removed from outside of tube before inserting into the Y-strainer.
- 8). Remove the slip nut and gasket from the trap and install them on the cooler waste line making sure that the end of the waste line fits into the trap. Assemble the slip nut and gasket to the trap and tighten securely.

## OPERATION OF QUICK CONNECT FITTINGS



## CORRECT STREAM HEIGHT

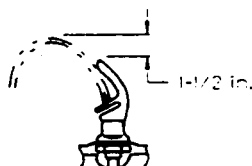


FIG. 4

# ELECTRIC EYE MECHANISM

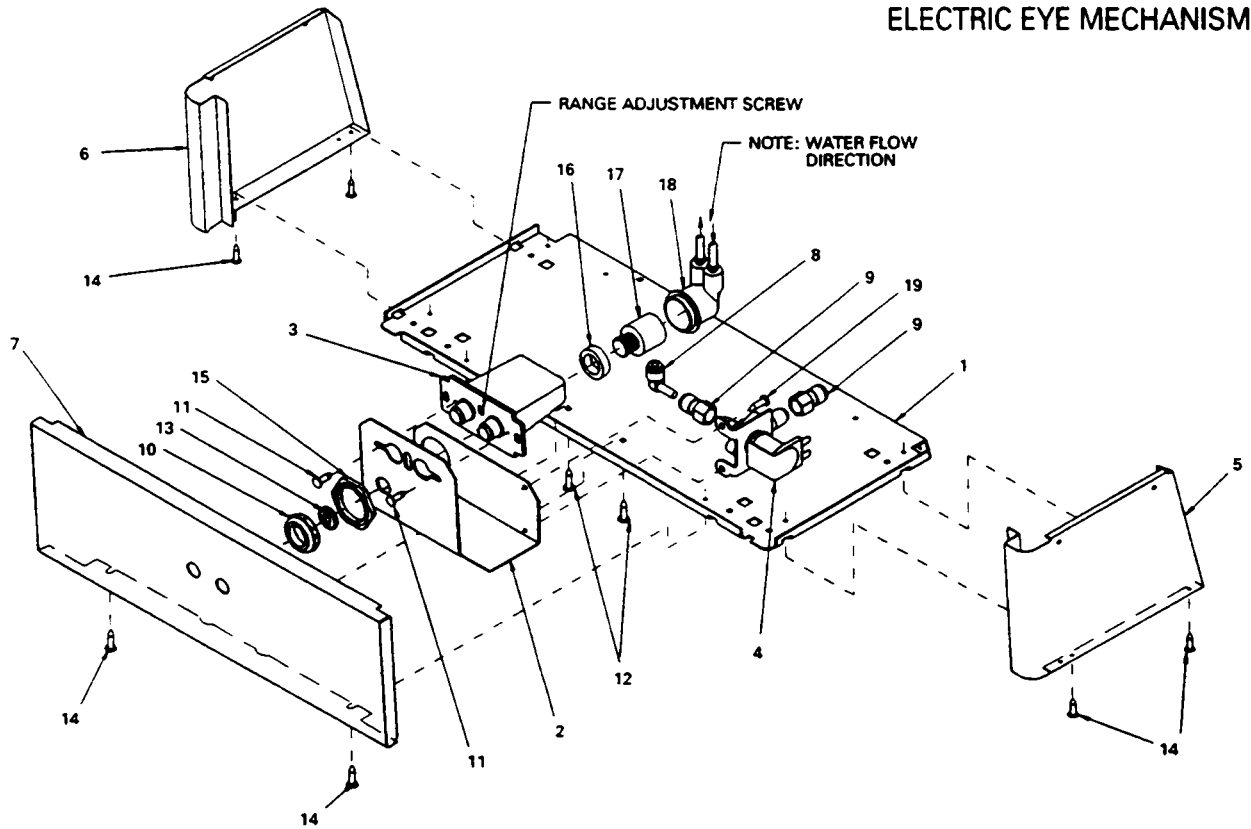


FIG. 5

## START UP

- 9). Turn on the building water supply and check all connections for leaks.
- 10). Depress front push bar until all air is bled from cooler water system. A steady stream flow assures all air removed.
- 11). Stream height is factory set at 45 - 50 PSI. If supply pressure varies greatly from this, readjust stream height to approximately 1-1/2" above the bubbler guard by turning adjustment screw, accessible by removing front push panel, Item No. 7 (see Fig. 5).
- 12). Recheck all water and drain connections with water flowing through system.
- 13). Plug cooler power cord into building electrical receptacle.
- 14). Replace the front panel and secure by re-tightening four (4) screws.

**Sensor Control:** If sensor fails to operate valve mechanism or operates erratically, check the following.

- a. Ensure there are no obstructions within a 40-inch radius from front of cooler.
- b. Check wire connections at the solenoid valve and sensor. **CAUTION:** Make sure unit is unplugged before checking any wiring.
- c. Ensure proper operation of solenoid valve. If there is an audible clicking sound yet no water flows, look for an obstruction in the valve itself or elsewhere in the water supply line.

**Sensor Range Adjustment:** The electronic sensor used in this cooler is factory pre-set for a "visual" range of 36 inches. If actual range varies greatly from this, or a different setting is desired, follow the range adjustment procedure below:

- a. Remove front panel of cooler.
- b. Using a small tip screwdriver, rotate range adjustment screw clockwise to increase range and counter-clockwise to decrease range. (see Fig. 5). **CAUTION:** Complete range of sensor (24-48 inches) is only one turn of the adjusting screw.
- c. Replace the front panel.

ITEM NO.	PART NO.	DESCRIPTION
1	22897-C	Panel - Bottom Dispenser
2	26729-C	Bracket - Valve Mounting
3	31516-C	Sensor - Clear (115V)
	35783-C	Sensor - Clear (230V)
4	31272-C	Solenoid Valve (115V)
	35784-C	Solenoid Valve (230V)
5	See Color Table	Panel - Right Side
6	See Color Table	Panel - Left Side
7	See Color Table	Panel - Front
8	70817-C	Elbow 1/4 Stem x 1/4 O.D.
9	75507-C	Fitting 1/4 NPTF x 1/4 O.D.
10	40116-C	Nut - Cover Unplated
11	70644-C	Screw #6-32 x 1/2" Lg. PHMS
12	75497-C	Screw #10 x 1/2" Lg. PHSM
13	70254-C	Clip
14	70864-C	Screw #8 x 5/8" Lg. Torx/Slot
15	40045-C	Hex Nut
16	10031-C	Retaining Nut
17	61314-C	Regulator
18	50985-C	Holder - Regulator
19	70002-C	Screw #10 x 1/2" Lg. HHSM

## COLOR TABLE

PANEL COLOR	Item No. 5 Part No.	Item No. 6 Part No.	Item No. 7 Part No.
Almond Vinyl	23016-C	23009-C	26848-C
Golden Bronzestone	22818-C	22810-C	22802-C
Platinum Vinyl	22820-C	22812-C	22804-C
Stainless Steel	22822-C	22814-C	22806-C
Slate Vinyl	22824-C	22816-C	23139-C

ITEM NO.	PART NO.	DESCRIPTION
20	31483-C	Power Cord
21	30699-C	Fan Blade (Use w/ Items 40 & 40a)
	30664-C	Fan Blade (Use w/ Item 40b)
22	70018-C	Hex Nut - Fan Blade
23	31490-C	Fan Motor (Use w/ Items 40 & 40a)
	31491-C	Fan Motor (Use w/ Item 40b)
24	70009-C	Screw - (Fan Motor)
25	22899-C	Shroud - Fan
26	38417001	Screw - #8-18 x 3/8" Lg. (Fan Shroud)
27	75524-C	Clip (Front and Rear Panels)
28	19-42439-01-550	Cover-Electric Shield
29	10079-C	Nipple - Bubbler
30	51544-C	Bubbler - Chrome
	51545-C	Bubbler - Golden Bronzestone
31	10-03227-40-560	Gasket - Bubbler (upper and lower)
32	62152-C	Condenser
33	66202-C	Drier
34	See Color Table	Panel - Right Rear
35	See Color Table	Panel - Left Rear
36	See Color Table	Panel - Front Lower
37	10-15161-43-550	Stud - Compressor Mtg.
38	10-08067-40-570	Grommet - Compressor Mtg.
39	19037000	Clip - Compressor Mtg.
40 *	35767-C	Compressor Serv. Pak FF7.5HBK
40a *	35761-C	Compressor Serv. Pak FF6HBK
40b *	35807-C	Compressor Serv. Pak AE3425Y
41	31025-C	Overload /Relay 1.350.358 (use w/ Item 40)
	31026-C	Overload /Relay 1.350.356 (use w/ Item 40a)
	35801-C	Relay 9660-042-166 (use w/ Item 40b)
	35795-C	Overload MRP26ALL (use w/ Item 40b)
42	35766-C	Cover - Terminal (use w/ Items 40 & 40a)
	30181-C	Cover - Terminal (use w/ Item 40b)
	30180-C	Overload Spring (use w/ Item 40b)
	30182-C	Bale Strap (use w/ Item 40b)
43	66214-C	Heat Exchanger (use w/ Item 40 & 40b)
	66215-C	Heat Exchanger (use w/ Item 40a)
44	40590-C	Waste Line Assembly
45	10-01471-40-560	Gasket - Drain
46	10-26399-31-640	Drain Plug - Chrome
	10-26399-31-450	Drain Plug - Golden Bronzestone
47	16-02705-08-640	Strainer Plate - Chrome
	41-02705-08-450	Strainer Plate - Golden Bronzestone
48	22893-C	Basin - Stainless Steel
	22894-C	Basin - Golden Bronzestone
49	11-26275-43-890	Screw - Basin Mtg. (Stainless Steel)
	41-26275-43-450	Screw - Basin Mtg. (Golden Bronzestone)
50	10-06876-08-640	Plug Button - Chrome
	41-06876-08-450	Plug Button - Golden Bronzestone
51	31513-C	Cold Control
52	62220-C	Evaporator Assembly
53	70002-C	Screw - #10 x 1/2" Lg. HHSM
54	70767-C	Clip - Evaporator Retaining
55	70772-C	Plug - Drain
REF 900M	40-06609-43-730	Hanger Bracket
NOT SHOWN	70788-C	Y - Strainer (SEE FIG. 3 ON PAGE 2)

\*REPLACE WITH SAME COMPRESSOR USED IN ORIGINAL ASSEMBLY.

NOTE: All correspondence pertaining to Halsey Taylor water coolers or orders for repair parts MUST include Model No. and Serial No. of cooler, name and part number of replacement part.

COLOR TABLE			
PANEL COLOR	Item No. 34 Part No.	Item No. 35 Part No.	Item No. 36 Part No.
Almond Vinyl	22968-C	22961-C	22954-C
Golden Bronzestone	22858-C	22850-C	22842-C
Platinum Vinyl	22860-C	22852-C	22844-C
Stainless Steel	22862-C	22854-C	22955-C
Slate Vinyl	22864-C	22856-C	22848-C

# Halsey Taylor

P. O. BOX 9001  
OAK BROOK, IL 60521  
(708) 574 - 3500

FOR PARTS, CONTACT YOUR LOCAL DISTRIBUTOR OR CALL 1-800-323-0620

PAGE 4

## TROUBLE SHOOTING & MAINTENANCE

- Projector:** If mineral deposits build up in the orifices, they can be removed by using a round file or small diameter wire.  
**CAUTION:** Care must be taken not to damage the orifices.
- Stream Regulator:** To adjust stream height see Instruction No. under "START UP" Section on Page 3.
- Temperature Control:** Factory set for 50°F water ( $\pm 5^\circ$ ) under normal conditions. For colder water, adjust screw on Item No. 51 (see below), accessible by removing front panel (Item No. 36).  
**CAUTION:** Do not force screw against stops. Turn clockwise for colder water, counterclockwise for warmer.
- Ventilation:** Condenser fins (Item No. 32) should be periodically cleaned with a brush, air hose or vacuum cleaner.
- Lubrication:** Motors are lifetime lubricated.
- Actuation of Quick Connect Water Fittings:** Cooler is provided with lead-free connectors which utilize an o-ring water seal. To remove tubing from the fitting, relieve water pressure, push in on the gray collar while pulling on the tubing. (See Fig.3) To insert tubing, push tube straight into fitting until it reaches a positive stop, approx. 3/4".
- CAUTION:** Cleaning of Golden Bronzestone Models requires special care. Outer surfaces must be cleaned with a mild detergent or mixture of vinegar and water only, rinsed and wiped dry. Abrasive and acidic cleaners may eventually damage the Golden Bronzestone finish.

