

FIG. 2

LEGEND/LEYENDA/LÉGENDE
A = RECOMMENDED WATER SUPPLY LOCATION 3/8 O.D. UNPLATED COPPER TUBE CONNECT STUB 1-1/2 IN. (38 mm) OUT FROM WALL SHUT OFF BY OTHERS
 SE RECOMIENDA UBICAR EL TUBO CORTO DE CONEXIONAL TUBO DE COBRE SIN CHAPAR DE 3/8" DE DIAM. EXT. A 1-1/2" (38 mm) FUERA DE LA LLAVE DE PASO EN LA PARED COLOCADO POR TERCEROS
 EMPACEMENT RECOMMANDE D'ALIMENTATION EN EAU PAR TUBE EN CUIVRE NON PLAQUÉ DE 3/8 PO. (9.5 mm) D. E. CONNECTANT UNE TUYAUTERIE DE 1-1/2 PO. (38 mm) DEPUIS LE ROBINET D'ARRÊT FOURNI PAR D'AUTRES.

B = RECOMMENDED LOCATION FOR WASTE OUTLET 1-1/2" O.D. DRAIN
 UBICACIÓN RECOMENDADA PARA EL DRENAJE DE SALIDA DE AGUA, DE 1-1/2" DE DIÁMETRO.
 EMPACEMENT RECOMMANDE POUR LE DRAIN DE D.E. 1-1/2" DE SORTIE D'EAU.

C = 1-1/2 TRAP NOT FURNISHED**
 PURGADOR DE 1-1/2 NO PROPORCIONADO**
 SIPHON 1-1/2 NON FOURNI**

D = ELECTRICAL SUPPLY (3) WIRE RECESSED BOX
 CAJA RECESADA ALAMBRES (3) DE SUMINISTRO ELÉCTRICO
 BOITE ENCASTRÉE D'ALIMENTATION ÉLECTRIQUE (3) FILS

E = INSURE PROPER VENTILATION BY MAINTAINING 6" (152 mm) (MIN.) CLEARANCE FROM CABINET LOUVERS TO WALL.
 ASEGURE UNA VENTILACIÓN ADECUADA MANTENIENDO UN ESPACIO E 6" (152 mm) (MÍN.) DE HOLGURA ENTRE LA REJILLA DE VENTILACIÓN DEL MUEBLE Y LA PARED
 ASSUREZ-VOUS UNE BONNE VENTILATION EN GARDANT 6" (152 mm) (MIN.) ENTRE LES ÉVÉNENTS DE L'ENCEINTE ET LE MUR.

F = 7/16 BOLT HOLES FOR FASTENING UNIT TO WALL
 AGUJEROS DE LAS TUERCAS DE 7/16 PARA SUJETAR LA UNIDAD A LA PARED
 TROUS D'ÉCROUS 7/16 POUR FIXER L'APPAREIL AU MUR

*ADA REQUIREMENT
 *REQUISITO DE A.D.A.
 *EXIGENCE ADA

**When replacing a Model "BFC" with a new unit Model "HAC", install must cut 1-1/2 inches from length of cooler waste line before connecting to trap (see installation instruction No.7)
 **Cuando reemplaza un Modelo "BFC" con una unidad nueva Modelo "HAC" el instalador deberá cortar 1 1/2 pulgadas del largo del tubo de desagüe del enfriador antes de conectar el purgador (vea las instrucciones de instalación No. 7)
 **En remplaçant un modèle "BFC" avec un nouveau modèle "HAC", l'installateur doit couper 1 1/2 pouce de longueur de la canalisation résiduaire du refroidisseur avant de le raccorder au siphon (voir instruction d'installation no. 7)

PUSH BAR MECHANISM

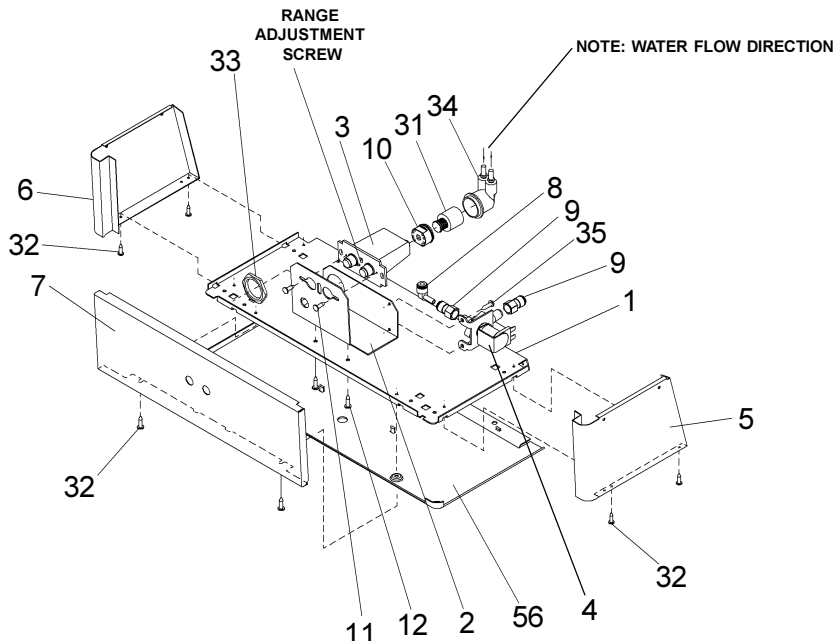


FIG. 3

Sensor Control: If sensor fails to operate valve mechanism or operates erratically, check the following.

- a. Ensure there are no obstructions within a 40-inch radius from front of cooler.
- b. Check wire connections at solenoid valve and sensor.
CAUTION: Make sure unit is unplugged before checking any wiring.
- c. Ensure proper operation of solenoid valve. If there is an audible clicking sound yet no water flows, look for an obstruction in the valve itself or elsewhere in the water supply line.

Sensor Range Adjustment: The electronic sensor used in this cooler is factory pre-set for a "visual" range of 36 inches. If actual range varies greatly from this, or a different setting is desired, follow the range adjustment procedure below:

- a. Remove front panel of cooler.
- b. Using a small tip screwdriver, rotate range adjustment screw clockwise to increase range and counter-clockwise to decrease range. (See Fig. 3).
CAUTION: Complete range of sensor (24-46 inches) is only one turn of the adjusting screw.
- c. Replace the front panel.

**IMPORTANT
ALL SERVICE TO BE PERFORMED BY AN
AUTHORIZED SERVICE PERSON**

CAUTION: Cleaning of Aztec Gold Models requires special care. Outer surfaces must be cleaned with a mild detergent or mixture of vinegar and water only, rinsed and wiped dry. Abrasive and acidic cleaners may eventually damage the Aztec Gold finish.

**HANGER BRACKETS & TRAP
INSTALLATION**

- 1) Remove hanger bracket fastened to back of cooler by removing one (1) screw.
 - 2) Mount the hanger bracket and trap as shown in Figure 2.
- NOTE:** Hanger Bracket **MUST** be supported securely. Add fixture support carrier if wall will not provide adequate support.

IMPORTANT:

- 7 in. (178mm) dimension from wall to centerline of trap must be maintained for proper fit.
 - Anchor hanger securely to wall using all six (6) 1/4 in. dia. mounting holes.
- 3) Install straight valve for 3/8" O.D. tube.

INSTALLATION OF COOLER

- 4) Hang the cooler on the hanger bracket. Be certain the hanger bracket is engaged properly in the slots on the cooler back as shown in Fig. 4.
- 5) Loosen the two (2) screws holding the lower front panel at the bottom of cooler base and two (2) screws at the top. Remove the front panel and set aside.
- 6) Connect water inlet line--See Note 4 of General Instructions.
- 7) Remove the slip nut and gasket from the trap and install them on the cooler waste line making sure that the end of the waste line fits into the trap. Assemble the slip nut and gasket to the trap and tighten securely. Plug both power cords into duplex receptacle.

START UP

Also See General Instructions

- 8) Stream height is factory set at 45-50 PSI. If supply pressure varies greatly from this, readjust stream height to approximately 1-1/2" (38mm) above the bubbler guard by turning adjustment screw, accessible by removing front panel, Item No. 7 (see Fig. 3 & 5).
- 9) Replace the front panel and secure by retightening four (4) screws.
- 10) If a taste, odor or sediment problem is prevalent, try installing our water filter module, part no 731524251550

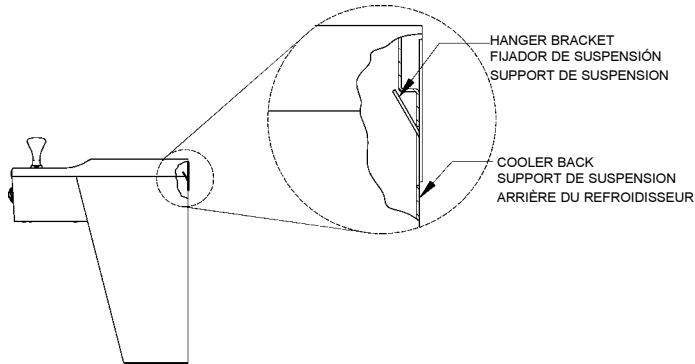
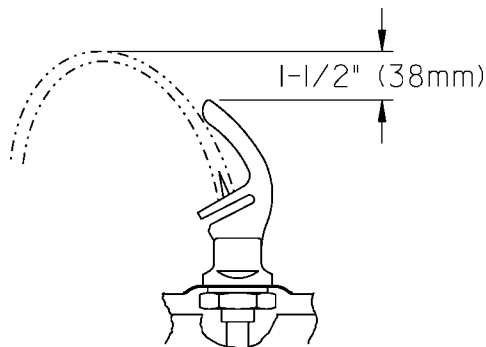


FIG. 4



CORRECT STREAM HEIGHT

FIG. 5

ITEMIZED PARTS LIST

| ITEM NO | PART NO | DESCRIPTION |
|---------|-----------------|---------------------------------------|
| 1 | 22897C | Panel - Bottom Dispenser |
| 2 | 26729C | Bracket - Valve Mounting |
| 3 | 36028C | Sensor - Clear (115V) |
| 4 | 31272C | Solenoid Valve (115V) |
| 5 | See Color Table | Panel - Right Side |
| 6 | See Color Table | Panel - Left Side |
| 7 | See Color Table | Panel - Front |
| 8 | 70817C | Elbow 1/4 Stem x 1/4 O.D. |
| 9 | 75507C | Fitting 1/4 NPTF x 1/4 O.D. |
| 10 | 56082C | Nut - Regulator |
| 11 | 70644C | Screw #6-32 x 1/2" Lg. PHMS |
| 12 | 75497C | Screw #10 x 1/2" Lg. PHSM |
| 13 | See Color Table | Panel - Right Rear (Refrig. Unit) |
| 14 | See Color Table | Panel - Front Lower |
| 15 | See Color Table | Panel - Right Rear (Left Unit) |
| 16 | See Color Table | Panel - Left Rear (Left Unit) |
| 17 | See Color Table | Panel - Left Rear (Refrig. Unit) |
| 18 | 31483C | Power Cord |
| 19 | 30664C | Fan Blade |
| 20 | 70018C | Hex Nut - Fan Blade |
| 21 | 31490C | Fan Motor |
| 22 | 70009C | Screw - (Fan Motor) |
| 23 | 22899C | Shroud - Fan |
| 24 | 38417001 | Screw - #8-18 x 3/8" Lg. (Fan Shroud) |
| 25 | 75524C | Clip (Front and Rear Panels) |
| 26 | 56159C | Nipple - Bubbler |
| 27 | 51544C | Bubbler - Chrome |
| | 45396C | Bubbler - Aztec Gold |
| | 55905C | Bubbler - Flexible (Optional) |
| 28 | 100322740560 | Gasket - Bubbler (upper and lower) |
| 29 | 62152C | Condenser |
| 30 | 66703C | Drier |
| 31 | 61314C | Regulator |
| 32 | 70864C | Screw #8 x 5/8" Lg. Torx/Slot |
| 33 | 40045C | Hex Nut |
| 34 | 50986C | Holder - Regulator |
| 35 | 70002C | Screw #10 x 1/2" Lg. HHSM |
| 36 | 101516143550 | Stud - Compressor Mtg. |
| 37 | 100806740570 | Grommet - Compressor Mtg. |
| 38 | 19037000 | Clip - Compressor Mtg. |

ITEMIZED PARTS LIST

| ITEM NO | PART NO | DESCRIPTION |
|---------|-----------------|--------------------------------------|
| 39* | 36094C | Compressor Serv. Pak EMI 70 HNR |
| 40 | 35959C | Relay |
| 41 | 35768C | Cover - Relay |
| 42 | 36158C | Overload |
| 43 | 66532C | Heat Exchanger |
| 44 | 45351C | Waste Line Assembly |
| 45 | 56121C | Fitting - Elbow 1-1/4 |
| 46 | 75588C | Nut - Slip Joint 1-1/4 |
| 47 | 100147140560 | Gasket - Drain |
| 48 | 102639931640 | Drain Plug - Chrome |
| | 45413C | Drain Plug - Aztec Gold |
| 49 | 160270508640 | Strainer Plate - Chrome |
| | 45400C | Strainer Plate - Aztec Gold |
| 50 | 28152C | Basin - Stainless Steel |
| | 27594C | Basin - Aztec Gold |
| 51 | 75634C | Screw - Basin Mtg. - Stainless Steel |
| | 75605C | Screw - Basin Mtg. - Aztec Gold |
| 52 | 75589C | Gasket |
| 53 | 31513C | Cold Control |
| 54 | 66534C | Evaporator Assembly |
| 55 | 40022C | Waste Line Assembly |
| 56 | See Color Table | Cover - Dispenser Bottom |
| 57 | 55996C | Strainer |
| 58 | 45485C | Waste Line Assembly |
| 59 | 31376C | Power Cord |
| 60 | 70682C | Fitting - Tee 1/4 |
| 61 | 56092C | Tubing - Poly (Cut To Length) |
| NS | 400660943730 | Hanger Bracket |

*REPLACE WITH SAME COMPRESSOR USED IN ORIGINAL ASSEMBLY.

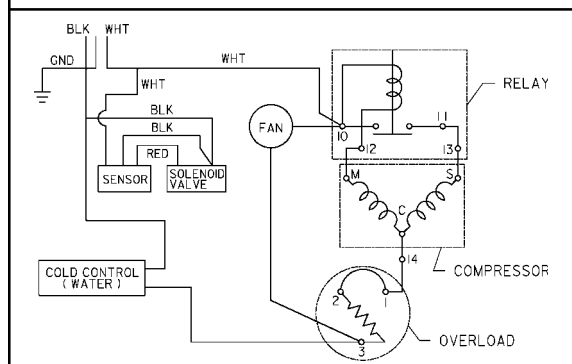
NOTE: All correspondence pertaining to any of the above water coolers or orders for repair parts MUST include Model No. and Serial No. of cooler, name and part number of replacement part.

COLOR TABLE

| PANEL COLOR | Item No. 5 Part No. | Item No. 6 Part No. | Item No. 7 Part No. | Item No. 13 Part No. | Item No. 14 Part No. | Item No. 15 Part No. | Item No. 16 Part No. | Item No. 17 Part No. | Item No. 56 Part No. |
|-----------------|---------------------|---------------------|---------------------|----------------------|----------------------|----------------------|----------------------|----------------------|----------------------|
| Platinum Vinyl | 22820C | 22812C | 23135C | 22860C | 22844C | 26806C | 22852C | 26798C | 55931C |
| Almond Vinyl | 23016C | 23009C | 23162C | 22968C | 22954C | 26772C | 22961C | 26765C | 55931C |
| Aztec Gold | 27899C | 27897C | 27907C | 27911C | 27905C | 27903C | 27909C | 27901C | 55930C |
| Stainless Steel | 22822C | 22814C | 23137C | 22862C | 22955C | 26776C | 22854C | 26800C | 55931C |

WIRING DIAGRAM

This Drawing is merely for illustrating the components of the electrical system.



Halsey Taylor

2222 CAMDEN COURT
OAK BROOK, IL 60523
630.574.3500

REPAIR SERVICE INFORMATION TOLL FREE NUMBER 1.800.260.6640

FOR PARTS, CONTACT YOUR LOCAL DISTRIBUTOR OR VISIT OUR WEBSITE WWW.HALSEYTAYLOR.COM