

FIG. 2

LEGEND/LÉGENDE  
 A = RECOMMENDED WATER SUPPLY LOCATION 3/8 O.D. UNPLATED COPPER TUBE CONNECT STUB 1-1/2 IN. (38 mm) OUT FROM WALL SHUT OFF BY OTHERS

SE RECOMIENDA UBICAR EL TUBO CORTO DE CONEXIONAL TUBO DE COBRE SIN CHAPAR DE 3/8" DE DIAM. EXT. A 1-1/2" (38 mm) FUERA DE LA LLAVE DE PASO EN LA PARED COLOCADO POR TERCEROS  
 EMPACEMENT RECOMMANDE D'ALIMENTATION EN EAU PAR TUBE EN CUIVRE NON PLAQUÉ DE 3/8 PO. (9.5 mm) D. E. CONNECTANT UNE TUYAUTERIE DE 1-1/2 PO. (38 mm) DEPUIS LE ROBINET D'ARRÊT FOURNI PAR D'AUTRES.

B = RECOMMENDED LOCATION FOR WASTE OUTLET 1-1/4" O.D. DRAIN  
 UBICACION RECOMENDADA PARA EL DRENAJE DE SALIDA DE AGUA DE 1 1/4" DE DIAMETRO.  
 EMPACEMENT RECOMMANDE POUR LE DRAIN DE D.E. 1-1/4" DE SORTIE D'EAU.

C = 1-1/4 TRAP NOT FURNISHED\*\*  
 PURGADOR DE 1 1/4 NO PROPORCIONADO\*\*

SIPHON 1-1/4 NON FOURNI\*\*

D = ELECTRICAL SUPPLY (3) WIRE RECESSED BOX  
 CAJA RECESVADO ALAMBRES (3) DE SUMINISTRO ELÉCTRICO

BOITE ENCASTRÉE D'ALIMENTATION ÉLECTRIQUE (3) FILS

E = INSURE PROPER VENTILATION BY MAINTAINING 6" (152 mm) (MIN.) CLEARANCE FROM CABINET LOUVERS TO WALL.  
 ASEGURE UNA VENTILACIÓN ADECUADA MANTENIENDO UN ESPACIO E 6" (152 mm) (MIN.) DE HOLLGURA ENTRE LA REJILLA DE VENTILACIÓN DEL MUEBLE Y LA PARED

ASSUREZ-VOUS UNE BONNE VENTILATION EN GARDANT 6" (152 mm) (MIN.) ENTRE LES ÉVÉNENTS DE L'ENCEINTE ET LE MUR.

F = 7/16 BOLT HOLES FOR FASTENING UNIT TO WALL  
 AGUJEROS DE LAS TUERCAS DE 7/16 PARA SUJETAR LA UNIDAD A LA PARED

TROUS D'ÉCROUS 7/16 POUR FIXER L'APPAREIL AU MUR

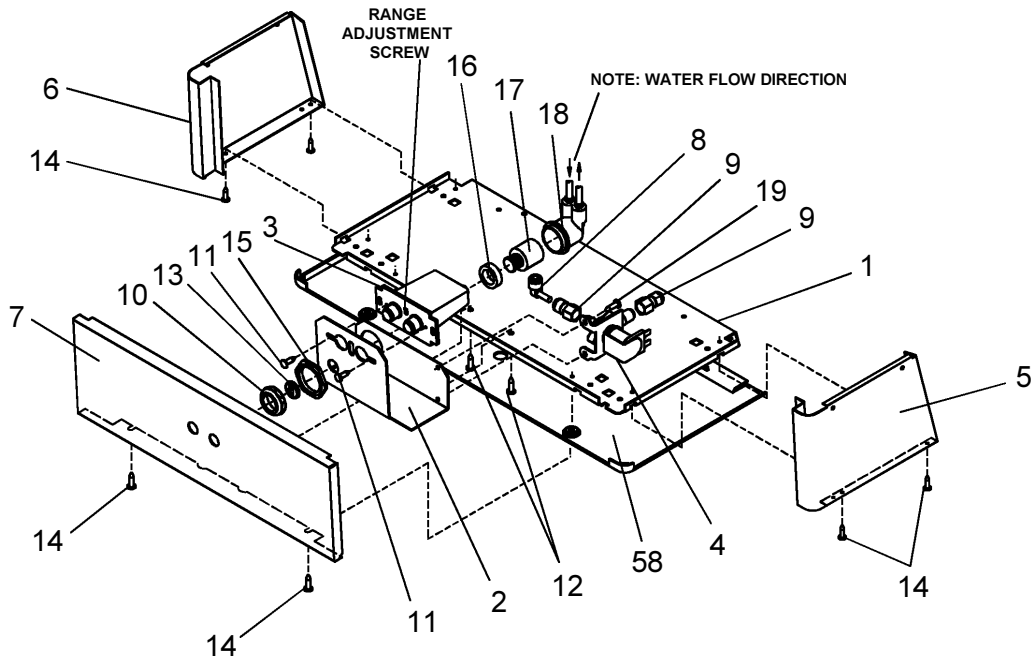
\*ADA REQUIREMENT  
 \*REQUISITO DE A.D.A.  
 \*EXIGENCE ADA

\*\*When replacing a Model "BFC" with a new unit Model "HAC", installer must cut 1-1/2 inches from length of cooler waste line before connecting to trap (see installation instruction No.7)

\*\*Cuando reemplaza un Modelo "BFC" con una unidad nueva Modelo "HAC" el instalador deberá cortar 1 1/2 pulgadas del largo del tubo de desague del enfriador antes de conectar el purgador (vea las instrucciones de instalación No. 7)

\*\*En remplacant un modèle "BFC" avec un nouveau modèle "HAC", l'installateur doit couper 1 1/2 pouce de longueur de la canalisation résiduaire du refroidisseur avant de le raccorder au siphon (voir instruction d'installation no. 7)

**PUSH BAR MECHANISM**



**FIG. 3**

**Sensor Control:** If sensor fails to operate valve mechanism or operates erratically, check the following.

- Ensure there are no obstructions within a 40-inch radius from front of cooler.
- Check wire connections at solenoid valve and sensor.  
CAUTION: Make sure unit is unplugged before checking any wiring.
- Ensure proper operation of solenoid valve. If there is an audible clicking sound yet no water flows, look for an obstruction in the valve itself or elsewhere in the water supply line.

**Sensor Range Adjustment:** The electronic sensor used in this cooler is factory pre-set for a "visual" range of 36 inches. If actual range varies greatly from this, or a different setting is desired, follow the range adjustment procedure below:

- Remove front panel of cooler.
- Using a small tip screwdriver, rotate range adjustment screw clockwise to increase range and counter-clockwise to decrease range. (See Fig. 3).  
CAUTION: Complete range of sensor (24-48 inches) is only one turn of the adjusting screw.
- Replace the front panel.

**IMPORTANT  
ALL SERVICE TO BE PERFORMED BY AN  
AUTHORIZED SERVICE PERSON**

**CAUTION:** Cleaning of Aztec Gold Models requires special care. Outer surfaces must be cleaned with a mild detergent or mixture of vinegar and water only, rinsed and wiped dry. Abrasive and acidic cleaners may eventually damage the Aztec Gold finish.

**HANGER BRACKETS & TRAP  
INSTALLATION**

- Remove hanger bracket fastened to back of cooler by removing one (1) screw.
- Mount the hanger bracket and trap as shown in Figure 2.  
**NOTE:** Hanger Bracket **MUST** be supported securely. Add fixture support carrier if wall will not provide adequate support.

**IMPORTANT:**

- 7 in. (178mm) dimension from wall to centerline of trap must be maintained for proper fit.
  - Anchor hanger securely to wall using all six (6) 1/4 in. dia. mounting holes.
- Install straight valve for 3/8" O.D. tube.

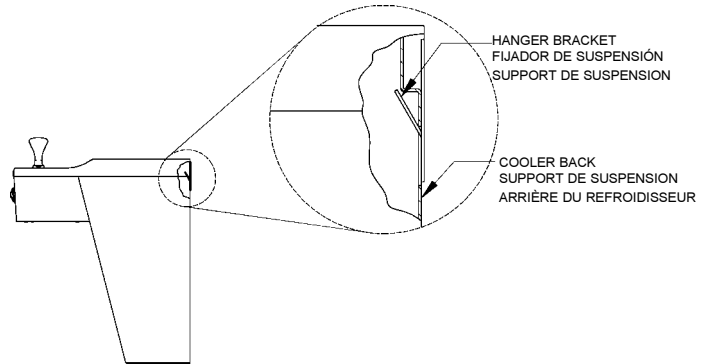
**INSTALLATION OF COOLER**

- Hang the cooler on the hanger bracket. Be certain the hanger bracket is engaged properly in the slots on the cooler back as shown in Fig. 4.
- Loosen the two (2) screws holding the lower front panel at the bottom of cooler base and two (2) screws at the top. Remove the front panel and set aside.
- Connect water inlet line--See Note 4 of General Instructions.
- Remove the slip nut and gasket from the trap and install them on the cooler waste line making sure that the end of the waste line fits into the trap. Assemble the slip nut and gasket to the trap and tighten securely. Plug both power cords into duplex receptacle.

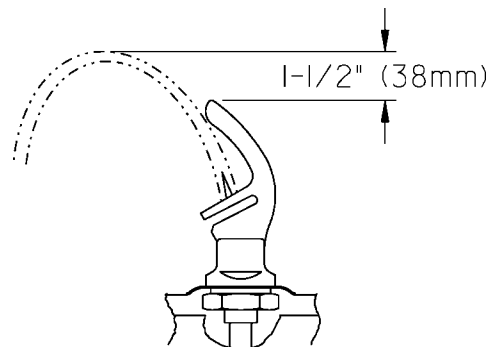
**START UP**

**Also See General Instructions**

- Stream height is factory set at 45-50 PSI. If supply pressure varies greatly from this, readjust stream height to approximately 1-1/2" (38mm) above the bubbler guard by turning adjustment screw, accessible by removing front panel, Item No. 7 (see Fig. 3 & 5).
- Replace the front panel and secure by retightening four (4) screws.
- If a taste, odor or sediment problem is prevalent, try installing our water filter module, part no 73-15242-51-550



**FIG. 4**



**CORRECT STREAM HEIGHT**

**FIG. 5**

ITEMIZED PARTS LIST

ITEMIZED PARTS LIST

ITEM NO	PART NO	DESCRIPTION	ITEM NO	PART NO	DESCRIPTION
1	22897C	Panel - Bottom Dispenser	40	100806740570	Grommet - Compressor Mtg.
2	26729C	Bracket - Valve Mounting	41	19037000	Clip - Compressor Mtg.
3	31516C	Sensor - Clear (115V)	42*	35767C	Compressor Serv. Pak FF7.5HBK
	35783C	Sensor - Clear (230V)	42a*	35761C	Compressor Serv. Pak FF6HBK
4	31272C	Solenoid Valve (115V)	42b*	35807C	Compressor Serv. Pak AE3425Y
	35784C	Solenoid Valve (230V)	42c*	35947C	Compressor Serv. Pak EM65
5	See Color Table	Panel - Right Side	43	31025C	Overload /Relay 1.350.358
6	See Color Table	Panel - Left Side	43a	31026C	Overload /Relay 1.350.356
7	See Color Table	Panel - Front	43b	35801C	Relay 9660-042-166
8	70817C	Elbow 1/4 Stem x 1/4 O.D.	43b	35795C	Overload MRP26ALL
9	75507C	Fitting 1/4 NPTF x 1/4 O.D.	43c	31039C	Overload/Relay P600B/427NFBYY
10	40116C	Nut - Cover Unplated	44, 44a	35766C	Cover - Relay
11	70644C	Screw #6-32 x 1/2" Lg. PHMS	44b	30181C	Cover - Terminal
12	75497C	Screw #10 x 1/2" Lg. PHSM	44b	30180C	Overload Spring
13	70254C	Clip	44b	30182C	Bale Strap
14	70864C	Screw #8 x 5/8" Lg. Torx/Slot	44c	35768C	Cover - Relay
15	40045C	Hex Nut	45, 45b	66214C	Heat Exchanger
16	15005C	Retaining Nut	45a	66215C	Heat Exchanger
17	61314C	Regulator	45c	66386C	Heat Exchanger
18	50986C	Holder - Regulator	46	40590C	Waste Line Assembly
19	70002C	Screw #10 x 1/2" Lg. HHSM	47	100147140560	Gasket - Drain
20	31483C	Power Cord	48	102639931640	Drain Plug - Chrome
21, 21a	30699C	Fan Blade		45413C	Drain Plug - Aztec Gold
21b	30664C	Fan Blade	49	160270508640	Strainer Plate - Chrome
22	70018C	Hex Nut - Fan Blade		45400C	Strainer Plate - Aztec Gold
23, 23a	31490C	Fan Motor	50	22893C	Basin - Stainless Steel
23b	31491C	Fan Motor		27594C	Basin - Aztec Gold
24	70009C	Screw - (Fan Motor)	51	112627543890	Screw - Basin Mtg. - Stainless Steel
25	22899C	Shroud - Fan		75573C	Screw - Basin Mtg. - Aztec Gold
26	38417001	Screw - #8-18 x 3/8" Lg. (Fan Shroud)	52	100687608640	Plug Button - Chrome
27	75524C	Clip (Front and Rear Panels)		75571C	Plug Button - Aztec Gold
28	194243901550	Cover-Electric Shield	53	31513C	Cold Control
29	62296C	Tube Assembly	54	62220C	Evaporator Assembly
30	51544C	Bubbler - Chrome	55	40022C	Waste Line Assembly
	45396C	Bubbler - Aztec Gold	56	70767C	Clip - Evaporator Retaining
	55905C	Bubbler - Flexible (Optional)	57	70836C	Elbow
31	100322740560	Gasket - Bubbler (upper and lower)	58	See Color Table	Cover - Dispenser Bottom
32	62152C	Condenser	59	55996C	Strainer
33	66202C	Drier	60	62198C	Tube - Cu 1/4 x 36.00"
34	See Color Table	Panel - Right Rear (Refrig. Unit)	61	160744851550	Tailpiece Assembly (Left Unit)
35	See Color Table	Panel - Left Rear (Refrig. Unit)	62	31376C	Power Cord
36	See Color Table	Panel - Front Lower	63c	35935C	Capacitor - Run
37	See Color Table	Panel - Right Rear (Left Unit)	NS	400660943730	Hanger Bracket
38	See Color Table	Panel - Left Rear (Left Unit)			
39	101516143550	Stud - Compressor Mtg.			

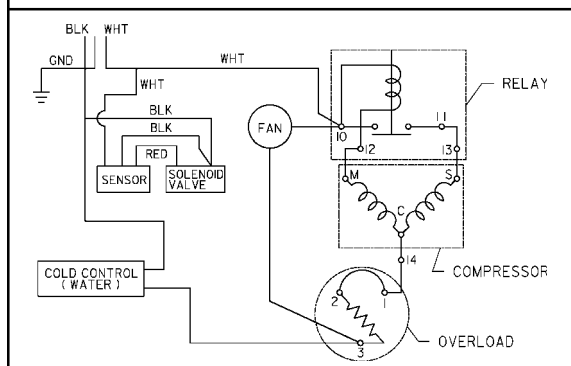
\*REPLACE WITH SAME COMPRESSOR USED IN ORIGINAL ASSEMBLY.  
**NOTE:** All correspondence pertaining to any of the above water coolers or orders for repair parts **MUST** include Model No. and Serial No. of cooler, name and part number of replacement part.

COLOR TABLE

PANEL COLOR	Item No. 5 Part No.	Item No. 6 Part No.	Item No. 7 Part No.	Item No. 34 Part No.	Item No. 35 Part No.	Item No. 36 Part No.	Item No. 37 Part No.	Item No. 38 Part No.	Item No. 58 Part No.
Platinum Vinyl	22820C	22812C	23135C	22860C	26798C	22844C	26806C	22852C	55931C
Almond Vinyl	23016C	23009C	23162C	22968C	26765C	22954C	26772C	22961C	55931C
Aztec Gold	27503C	27433C	27592C	27511C	27487C	27499C	27491C	27507C	55930C
Stainless Steel	22822C	22814C	23137C	22862C	26800C	22955C	26776C	22854C	55931C

WIRING DIAGRAM

This Drawing is merely for illustrating the components of the electrical system.



**Halsey Taylor**  
 2222 CAMDEN COURT  
 OAK BROOK, IL 60523  
 630.574.3500

PRINTED IN U.S.A.

FOR PARTS, CONTACT YOUR LOCAL DISTRIBUTOR OR CALL 1.800.323.0620