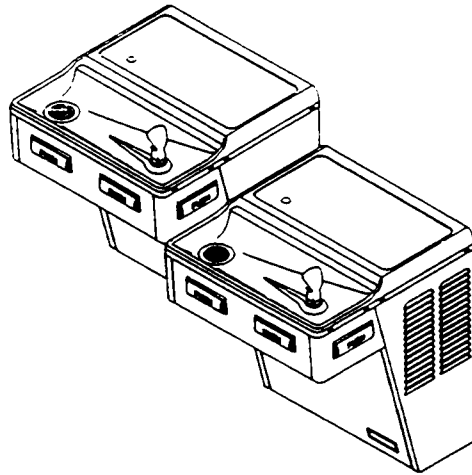


Halsey Taylor Owners Manual

Models: HAC-8F-BL-Q, HAC-8FS-BL-Q

USES HFC-134A REFRIGERANT



Installer

The HAC-BL series coolers are among the easiest to install Barrier-Free Models on the market today. To assure you install this model easily and correctly, PLEASE READ THESE SIMPLE INSTRUCTIONS BEFORE STARTING THE INSTALLATION. CHECK YOUR INSTALLATION FOR COMPLIANCE WITH PLUMBING, ELECTRICAL AND OTHER APPLICABLE CODES. After installation, leave these instructions inside the cooler for future reference.

IMPORTANT

ALL SERVICE TO BE PERFORMED BY AN AUTHORIZED SERVICE PERSON

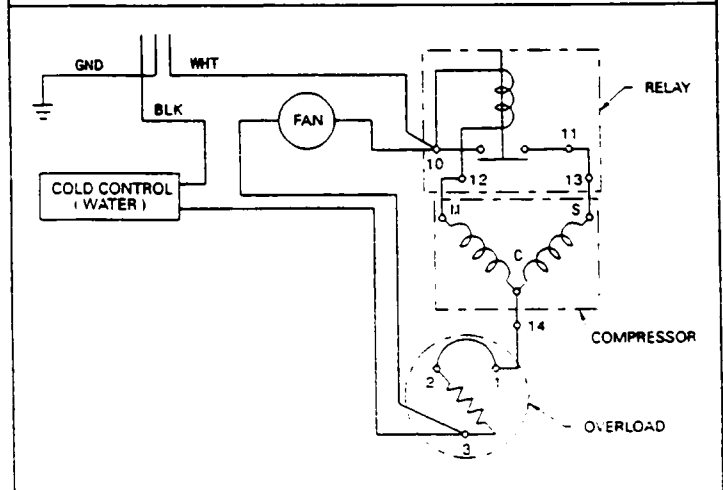
1. Insure proper ventilation by maintaining 6" (min.) clearance from cabinet louvers to wall on each side of cooler.
2. Water supply 3/8" O.D.. Waste 1-1/2" O.D.. Contractor to supply waste trap and service stop valve in accordance with local codes.
3. Connecting lines should be thoroughly flushed to remove all foreign matter before being connected to cooler. This cooler is manufactured in such a manner that it does not in any way cause taste, odor, color or sediment problems. If a taste, odor or sediment problem is prevalent, try installing our water filter module, Part No. 73-15242-51-550, on the supply line.
4. Electrical: Insure power supply is identical in voltage, cycle and phase to that specified on the cooler data plate. NEVER wire compressor directly to the power supply.
5. For TROUBLE SHOOTING AND MAINTENANCE GUIDE, see page 4.
6. See TROUBLE SHOOTING AND MAINTENANCE GUIDE for care of Golden Bronzitone Models.
7. Halsey Taylor has glass fillers and glass filler plumbing kits specifically designed for use in your water cooler. Check local listings for a Halsey Taylor dealer near you.

WARNING: Warranty is voided if:

- The plumbing kit or glass filler is not specified for use by Halsey Taylor for this particular model.
- Installation is not made in accordance with current Halsey Taylor instructions.

WIRING DIAGRAM

This drawing is merely for illustrating the components of the electrical system.



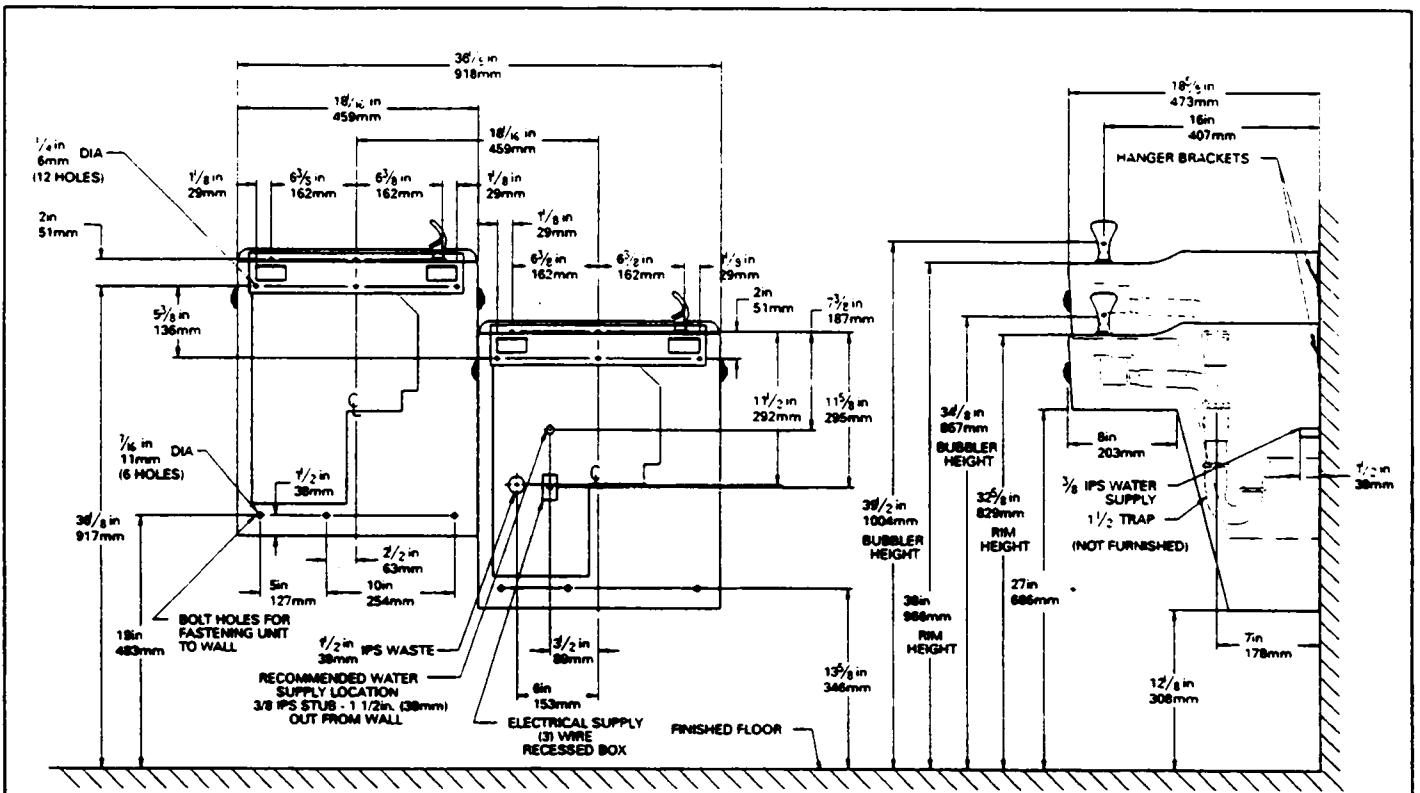


FIG. 1

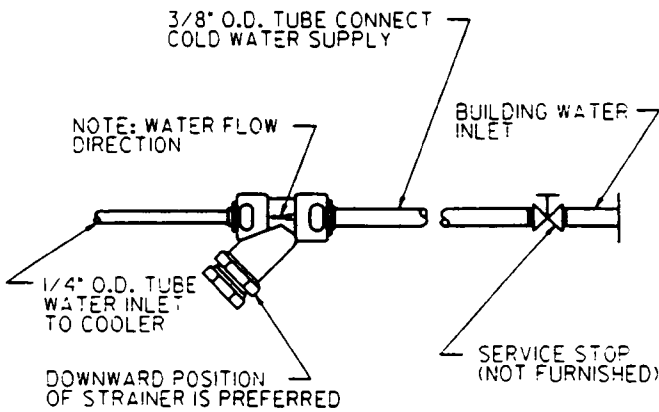
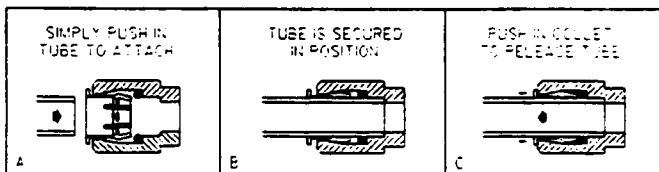


FIG. 2

OPERATION OF QUICK CONNECT FITTINGS



PUSH IN TUBE IN STEP A
PUSH IN COLLET TO RELEASE TUBE

HANGER BRACKETS & TRAP INSTALLATION

1. Remove hanger brackets fastened to back of coolers by removing one (1) screw on each bracket.
2. Mount the hanger brackets and trap.
NOTE: Hanger Brackets **MUST** be supported securely. Add fixture support carrier if wall will not provide adequate support.

IMPORTANT:

- 7 in. dimension from wall to centerline of
- trap must be maintained for proper fit.
- Anchor hangers securely to wall using all six (6) 1/4 in. dia. mounting holes.

3. Install 3/8 in IPS, female x 3/8 in compression straight service stop to the building water inlet stub.

INSTALLATION OF COOLER

4. Hang the coolers on the hanger brackets. Be certain the hanger bracket is engaged properly in the slots of each cooler back.
5. Loosen the two (2) screws holding the lower front panel at the bottom of cooler base and two (2) screws at the top. Remove the front panels and set aside.
6. Connect on the right unit the water line between the service stop valve and cooler (see Fig. 2).

NOTE: If required, the 1/4 in O.D. water inlet line to cooler may be cut to a desired length. However, if water line is cut, all burrs must be removed from outside of tube before inserting into the Y-strainer.

7. Connect water inlet line, from left hand unit, to chilled water connection elbow, on the right hand unit. (Located on the bottom side of the storage tank).

PUSH BAR MECHANISM

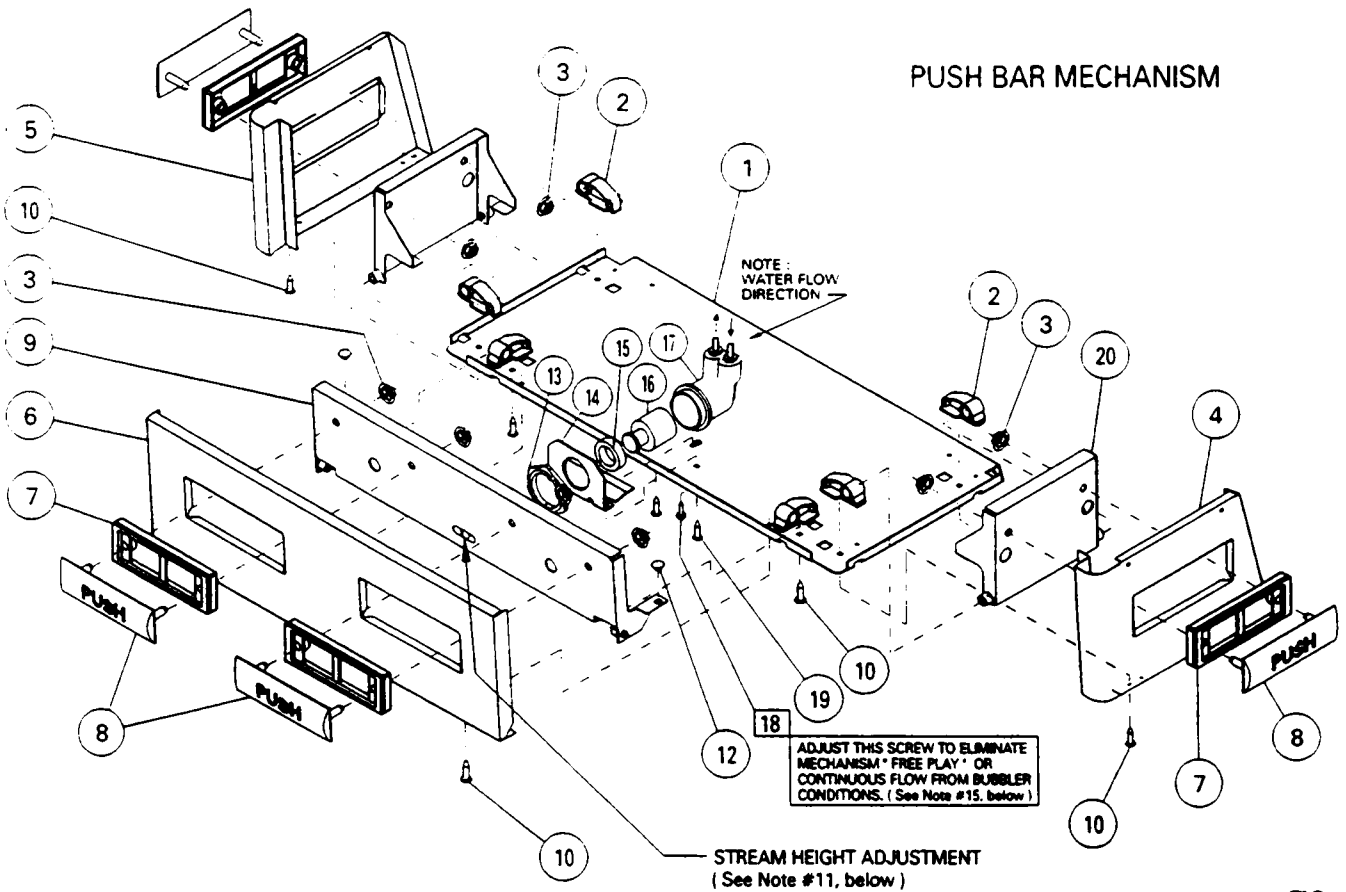


FIG. 4

- 8). Install waste line tee (supplied) to left and right side drain tubes.

START UP

- 9). Turn on the building water supply and check all connections for leaks.
- 10). Depress front push bar until all air is bled from cooler water system. A steady stream flow assures all air removed.
- 11). Stream height is factory set at 45 - 50 PSI. If supply pressure varies greatly from this, readjust stream height to approximately 1-1/2" above the bubbler guard by turning adjustment screw, accessible by removing front push panel, Item No. 6 (see Fig. 4 and Fig. 5).
- 12). Recheck all water and drain connections with water flowing through system.
- 13). Plug cooler power cord into building electrical receptacle.
- 14). Replace the front panel and secure by re-tightening four (4) screws.
- 15). Water Valve Mechanism - ADJUSTMENT PROCEDURE:
 - Turn adjustment screw (Item # 18) " Counter-Clock-wise " until water flow from bubbler starts.
 - Turn adjustment screw " Clockwise " until water flow stops, THEN turn an additional 1/2 turn.

NOTE: Adjustments stated above are as viewed from underneath unit (bottom side of dispenser panel Item No. 1).

ITEM NO.	PART NO.	DESCRIPTION
1	22897C	Panel - Bottom Dispenser
2	51531C	Block - Pivot
3	11-14117-43-620	Nut - 1/4 , Self-Threading
4	See Color Table	Panel - Right Side
5	See Color Table	Panel - Left Side
6	See Color Table	Panel - Front Push
7	55859C	Pushbar - Side & Front
8	55947C	Insert - Push Bar, Gray
	55948C	Insert - Push Bar, Brown
9	22900C	Bracket - Front Push
10	70864C	Screw - #8 x 5/8" Lg. Torx/Slot
11	50212C	Rivet - Drive Type
12	51667C	Bumper - Press Bar
13	40045C	Hex Nut
14	23003C	Bracket - Regulator Mounting
15	10031C	Retaining Nut
16	61314C	Regulator
17	50985C	Holder - Regulator
18	70935C	Screw - Shoulder x 1/2" Lg.
19	11-26275-43-890	Screw - Regulator Brkt. Mtg.
20	22901C	Bracket - Side Push

COLOR TABLE

PANEL COLOR	Item No. 4 Part No. (w/o hole)	Item No. 4 Part No. (with hole)	Item No. 5 Part No. (w/o hole)	Item No. 5 Part No. (with hole)	Item No. 6 Part No.
Almond Vinyl	23016C	22947C	23009C	22940C	26848C
Golden Bronzestone	22818C	22834C	22810C	22826C	22802C
Platinum Vinyl	22820C	22836C	22812C	22828C	22804C
Stainless Steel	22822C	22838C	22814C	22830C	22806C
Slate Vinyl	22824C	22840C	22816C	22832C	22808C

CORRECT STREAM HEIGHT



FIG. 5

ITEM NO.	PART NO.	DESCRIPTION
1	31517C	Power Cord
2	30699C	Fan Blade (use w/ Items 23 & 23a)
	30664C	Fan Blade (use w/ Item 23b)
3	70018C	Hex Nut - Fan Blade
4	31490C	Fan Motor (use w/ Items 23 & 23a)
	31491C	Fan Motor (use w/ Item 23b)
5	70009C	Screw - (Fan Motor)
6	22899C	Shroud - Fan
7	38417001	Screw - #8-18 x 3/8" Lg. (Fan Shroud)
8	70241C	Clip (Front and Rear Panels)
9	62296C	Tube Assembly - Bubbler
10	10079C	Nipple - Bubbler (included with Item No. 9)
11	51544C	Bubbler - Chrome
	51545C	Bubbler - Golden Bronzestone
12	10-03227-40-560	Gasket - Bubbler (upper and lower)
13	62152C	Condenser
14	66202C	Drier
15	See Color Table	Panel - Right Rear (Refrig. Unit)
16	See Color Table	Panel - Right Rear (Left Unit)
17	See Color Table	Panel - Left Rear (Left Unit)
18	See Color Table	Panel - Left Rear (Refrig. Unit)
19	See Color Table	Panel - Front Lower
20	10-15161-43-550	Stud - Compressor Mtg.
21	10-08067-40-570	Grommet - Compressor Mtg.
22	19037000	Clip - Compressor Mtg.
23 *	35767C	Compressor Serv. Pak FF7.5HBK
23a*	35761C	Compressor Serv. Pak FF6HBK
23b*	35807C	Compressor Serv. Pak AE3425Y
24	31025C	Overload /Relay 1.350.358 (use w/ Item 23)
	31026C	Overload /Relay 1.350.356 (use w/ Item 23a)
	35801C	Relay 9660-042-166 (use w/ Item 23b)
	35795C	Overload MRP26ALL-69

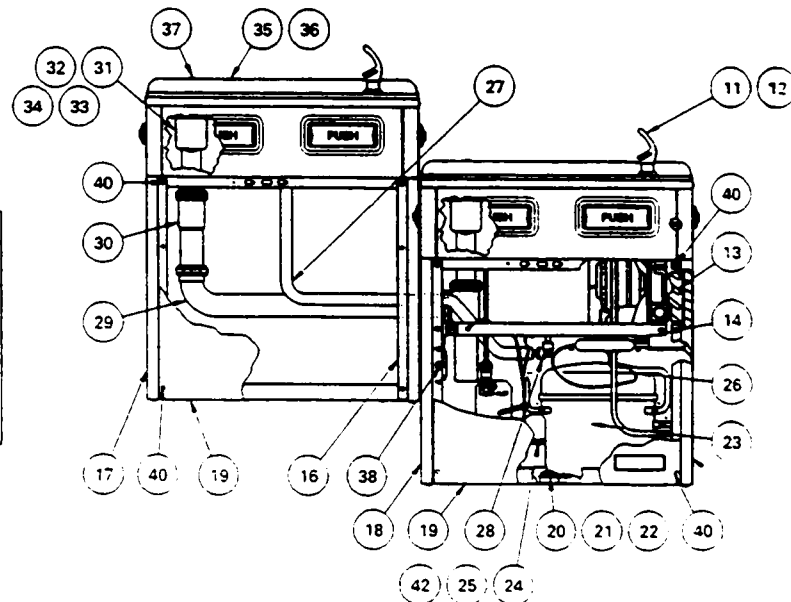
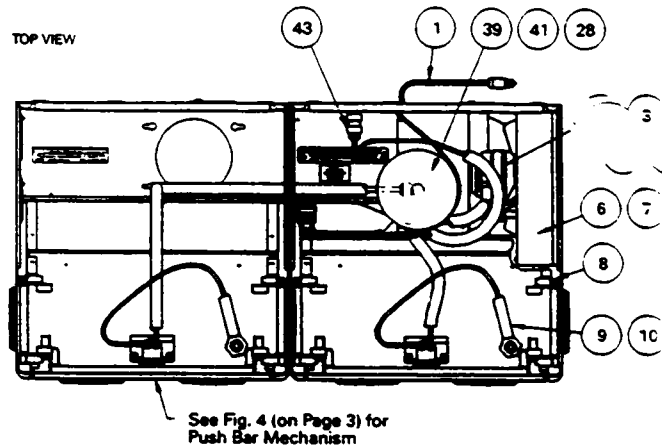
ITEM NO.	PART NO.	DESCRIPTION
25	35766C	Cover - Terminal (use w/ Items 23 & 23a)
	30181C	Cover - Terminal (use w/ Item 23b)
	30180C	Overload Spring (use w/ Item 23b)
	30182C	Bale Strap (use w/ Item 23b)
26	66214C	Heat Exchanger (use w/ Items 23 & 23b)
	66215C	Heat Exchanger (use w/ Item 23a)
27	62198C	Tube - Cu. 1/4 x 36"
28	70836C	Elbow
29	40022C	Waste Line Assembly
30	16-07448-51-550	Tailpiece Assembly (Left Unit)
31	40590C	Waste Line Assembly
32	10-01471-40-560	Gasket - Drain
33	10-26399-31-640	Drain Plug - Chrome
	10-26399-31-450	Drain Plug - Golden Bronzestone
34	16-02705-08-640	Strainer Plate - Chrome
	41-02705-08-450	Strainer Plate - Golden Bronzestone
35	22893C	Basin - Stainless Steel
	22894C	Basin - Golden Bronzestone
36	11-26275-43-890	Screw - Basin Mtg. (Stainless Steel)
	41-26275-43-450	Screw - Basin Mtg. (Golden Bronzestone)
37	10-06876-08-640	Plug Button - Chrome
	41-06876-08-450	Plug Button - Golden Bronzestone
38	31513C	Cold Control
39	62220C	Evaporator Assembly
40	70002C	Screw - #10 x 1/2" Lg. HHSM
41	70767C	Clip - Evaporator Retaining
42	19-42439-01-550	Cover - Electrical Shield
43	70788C	Y - Strainer (SEE FIG. 3 ON PAGE 2)
40-06609-43-730		Hanger Bracket

- * REPLACE WITH SAME COMPRESSOR USED IN ORIGINAL ASSEMBLY. Items 23, 23a, and 23b include 24 & 25
 NOTE: All correspondence pertaining to Halsey Taylor water coolers or orders for repair parts MUST include Model No. and Serial No. of cooler, name and part number of replacement part.

TROUBLE SHOOTING & MAINTENANCE

- 1. Projector:** If mineral deposits build up in the orifices, they can be removed by using a round file or small diameter wire. CAUTION: Care must be taken not to damage the orifices.
- 2. Stream Regulator:** To adjust stream height see Instruction No. 11 under "START UP" Section on Page 3.
- 3. Temperature Control:** Factory set for 50°F. water (± 5°) under normal conditions. For colder water, adjust screw on Item No. 38 (see below), accessible by removing front panel (Item No. 19). CAUTION: Do not force screw against stops. Turn clockwise for colder water, counterclockwise for warmer.
- 4. Ventilation:** Condenser fins (Item No. 13) should be periodically cleaned with a brush, air hose or vacuum cleaner.
- 5. Lubrication:** Motors are lifetime lubricated.
- 6. CAUTION:** Cleaning of Golden Bronzestone Models requires special care. Outer surfaces must be cleaned with a mild detergent or mixture of vinegar and water only, rinsed and wiped dry. Abrasive and acidic cleaners may eventually damage the Golden Bronzestone finish.

COLOR TABLE					
PANEL COLOR	Item No. 15 Part No.	Item No. 16 Part No.	Item No. 17 Part No.	Item No. 18 Part No.	Item No. 19 Part No.
Almond Vinyl	22968C	26772C	22961C	26765C	22954C
Golden Bronzestone	22858C	26804C	22850C	26796C	22842C
Platinum Vinyl	22860C	26806C	22852C	26798C	22844C
Stainless Steel	22862C	26776C	22854C	26800C	22846C
Slate Vinyl	22864C	26810C	22856C	26802C	22848C



Halsey Taylor

2222 CAMDEN COURT
 OAK BROOK, ILL. 60521
 630.574.3500

PRINTED IN U.S.A.

FOR PARTS, CONTACT YOUR LOCAL DISTRIBUTOR OR CALL 1.800.323.0620