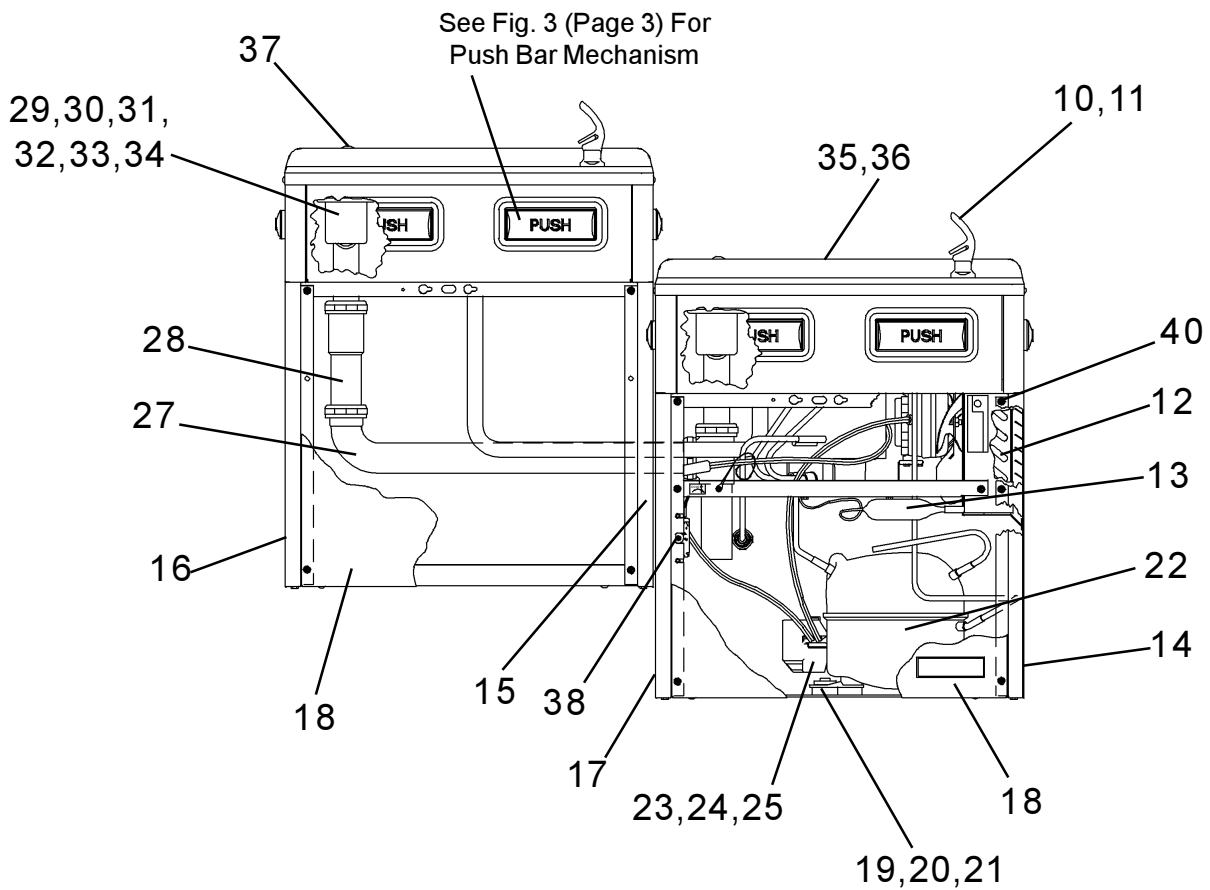
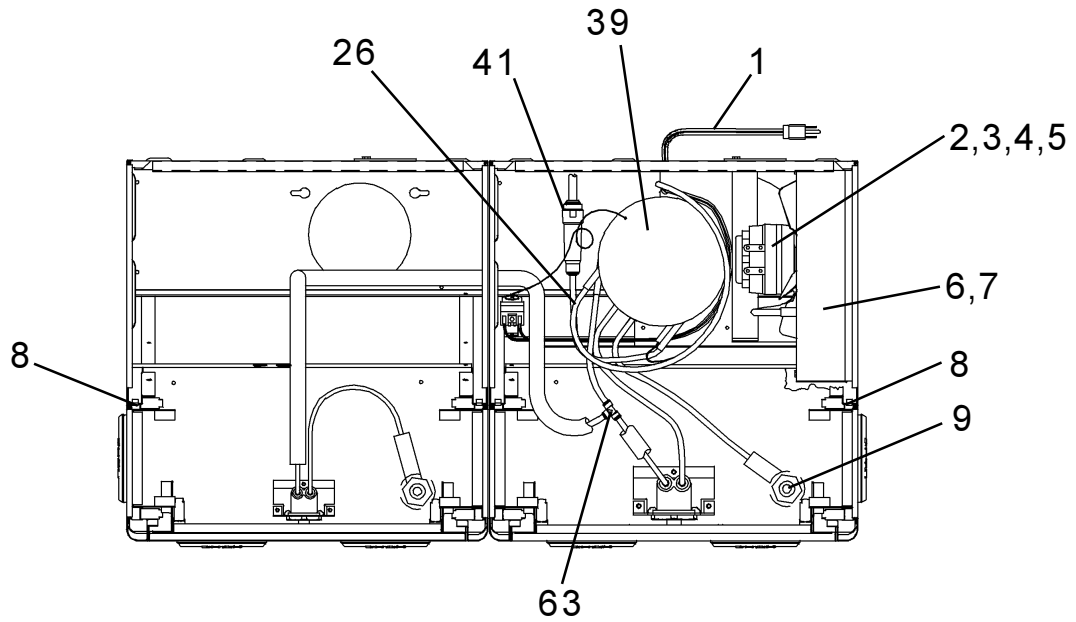


HAC8F(S)BL-Q*1B
HALSEY TAYLOR OWNERS MANUAL
 USES HFC-134A REFRIGERANT



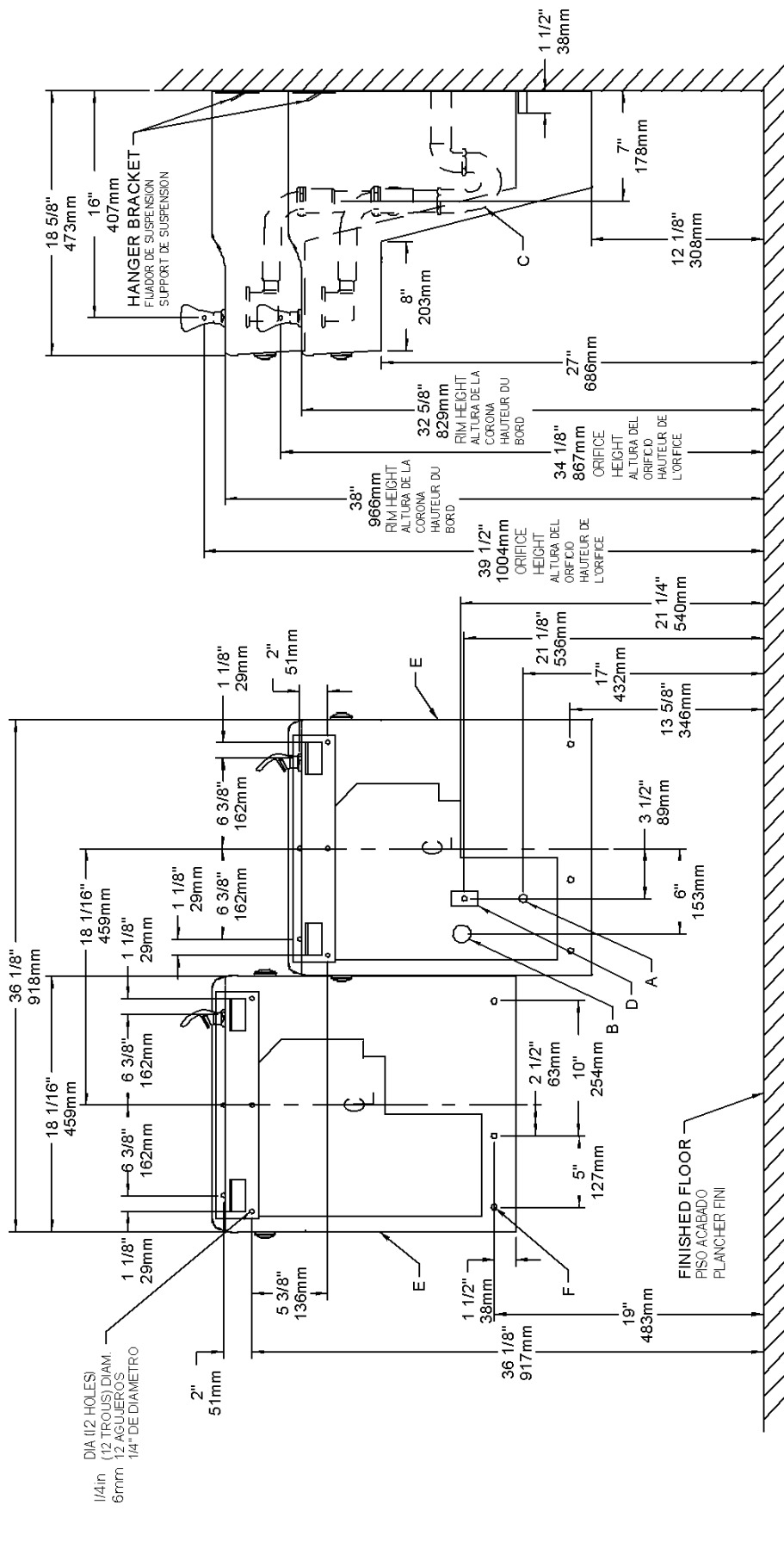


FIG. 2

- LEGEND/LEYENDA/LÉGENDE**
- A = RECOMMENDED WATER SUPPLY LOCATION 3/8 O.D. UNPLATED COPPER TUBE CONNECT STUB 1-1/2 IN. (38 mm) OUT FROM WALL SHUT OFF BY OTHERS**
SE RECOMIENDA UBICAR EL TUBO CORTO DE CONEXIÓN AL TUBO DE COBRE SIN CHAPAR DE 3/8" DE DIAM. EXT. A 1-1/2" (38 mm) FUERA DE LA LLAVE DE PASEO EN LA PARED COLOCADA POR TERCEROS.
EMPLACEMENT RECOMMANDÉ D'ALIMENTATION EN EAU PAR TUBE EN CUIVRE NON PLAQUÉ DE 3/8 PO. (9.5 mm) D. E. CONNECTANT UNE TUYAUTERIE DE 1-1/2 PO. (38 mm) DEPUIS LE ROBINET D'ARRÊT FOURNI PAR D'AUTRES.
 - B = RECOMMENDED LOCATION FOR WASTE OUTLET 1-1/4" O.D. DRAIN**
UBICACIÓN RECOMENDADA PARA EL DRENAJE DE SALIDA DE AGUA, DE 1 1/4" DE DIÁMETRO.
EMPLACEMENT RECOMMANDÉ POUR LE DRAINDÉ D. E. 1-1/4" DE SORTIE D'EAU.
 - C = 1-1/4 TRAP NOT FURNISHED***
PURGADOR DE 1 1/4 NO PROPORCIONADO**
SIPHON 1-1/4 NON FOURNI**
 - D = ELECTRICAL SUPPLY (3) WIRE RECESSED BOX**
CAJA RECESIVADA DE ALAMBRES (3) DE SUMINISTRO ELÉCTRICO
BOITE ENCASTRÉE D'ALIMENTATION ÉLECTRIQUE (3) FILS
 - E = INSURE PROPER VENTILATION BY MAINTAINING 6" (152 mm) (MIN.) CLEARANCE FROM CABINET LOUVERS TO WALL.**
ASEGURE UNA VENTILACIÓN ADECUADA MANTENIENDO UN ESPACIO E 6" (152 mm) (MÍN.) DE HOLGURA ENTRE LA REJILLA DE VENTILACIÓN DEL MUEBLE Y LA PARED
ASSUREZ VOUS UNE BONNE VENTILATION EN GARDANT 6" (152 mm) (MIN.) ENTRE LES ÉVÉNENTS DE L'ENCEINTE ET LE MUR.
 - F = 7/16 BOLT HOLES FOR FASTENING UNIT TO WALL**
AGUJEROS DE LAS TUERCAS DE 7/16 PARA SUJETAR LA UNIDAD A LA PARED
TROUS D'ÉCROUS 7/16 POUR FIXER L'APPAREIL AU MUR

*ADA REQUIREMENT
*REQUISITO DE A.D.A.
*EXIGENCE ADA

**When replacing a Model "BFC" with a new unit Model "HAC", installer must cut 1-1/2 inches from length of cooler waste line before connecting to trap (see installation instruction No. 7)

**Cuando reemplaza un Modelo "BFC" con una unidad nueva Modelo "HAC", el instalador deberá cortar 1 1/2 pulgadas de largo del tubo de desague del enfriador antes de conectar el purgador (vea las instrucciones de instalación No. 7)

**En remplaçant un modèle "BFC" avec un nouveau modèle "HAC", l'installateur doit couper 1 1/2 pouce de longueur de la canalisation résiduaire du refroidisseur avant de le raccorder au siphon (voir instruction d'installation no. 7)

PUSH BAR MECHANISM

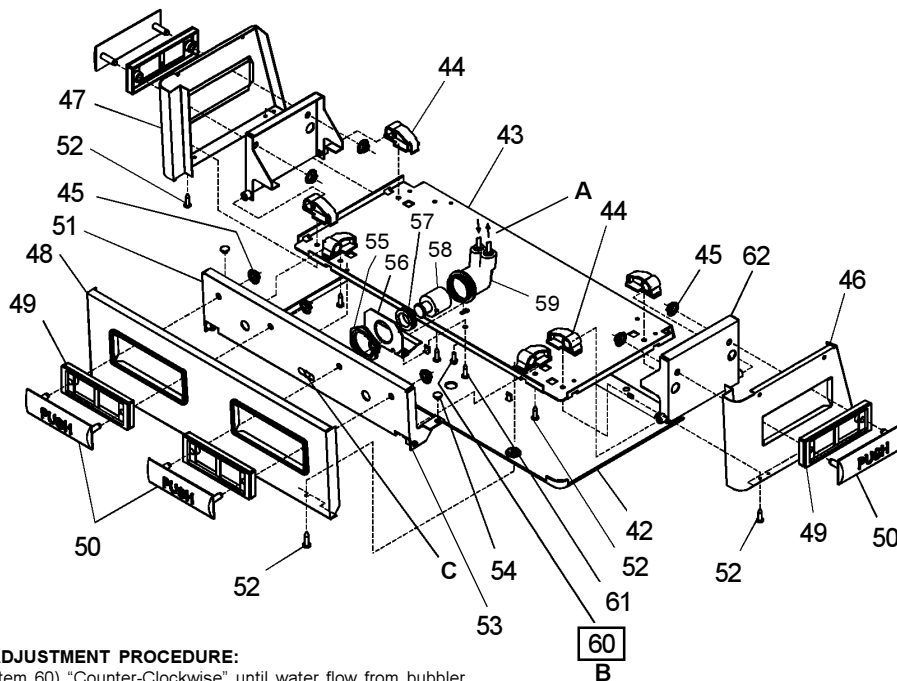


FIG. 3

Water Valve Mechanism - ADJUSTMENT PROCEDURE:

- Turn adjustment screw (Item 60) "Counter-Clockwise" until water flow from bubbler starts.
- Turn adjustment screw "Clockwise" until water flow stops, THEN turn an additional 1/2 turn.

NOTE: Adjustments stated above are viewed from underneath unit (bottom side of dispenser panel Item 43)

NOTE: If continuous flow occurs at the end of the compressor cycle, turn cold control (Item 38) counterclockwise 1/4 turn.

LEGEND

- A) Note: Water flow direction
- B) Adjust this screw to eliminate mechanism "Free Play" or continuous flow from bubbler conditions. (See ADJUSTMENT PROCEDURE)
- C) Stream height adjustment (see note #8)

**IMPORTANT
ALL SERVICE TO BE PERFORMED BY AN
AUTHORIZED SERVICE PERSON**

CAUTION: Cleaning of Aztec Gold Models requires special care. Outer surfaces must be cleaned with a mild detergent or mixture of vinegar and water only, rinsed and wiped dry. Abrasive and acidic cleaners may eventually damage the Aztec Gold finish.

**HANGER BRACKETS & TRAP
INSTALLATION**

- 1) Remove hanger bracket fastened to back of cooler by removing one (1) screw.
- 2) Mount the hanger bracket and trap as shown in Figure 2.

NOTE: Hanger Bracket **MUST** be supported securely. Add fixture support carrier if wall will not provide adequate support.

IMPORTANT:

- 7 in. (178mm) dimension from wall to centerline of trap must be maintained for proper fit.
 - Anchor hanger securely to wall using all six (6) 1/4 in. dia. mounting holes.
- 3) Install straight valve for 3/8" O.D. tube.

INSTALLATION OF COOLER

- 4) Hang the cooler on the hanger bracket. Be certain the hanger bracket is engaged properly in the slots on the cooler back as shown in Fig. 4.
- 5) Loosen the two (2) screws holding the lower front panel at the bottom of cooler base and two (2) screws at the top. Remove the front panel and set aside.
- 6) Connect water inlet line--See Note 4 of General Instructions.
- 7) Remove the slip nut and gasket from the trap and install them on the cooler waste line making sure that the end of the waste line fits into the trap. Assemble the slip nut and gasket to the trap and tighten securely.

START UP

Also See General Instructions

- 8) Stream height is factory set at 45-50 PSI. If supply pressure varies greatly from this, readjust stream height to approximately 1-1/2" (38mm) above the bubbler guard by turning adjustment screw, accessible by removing front push panel, Item No. 48 (see Fig.3 & 5).
- 9) Replace the front panel and secure by retightening four (4) screws.
- 10) If a taste, odor or sediment problem is prevalent, try installing our water filter module, part no 73-15242-51-550

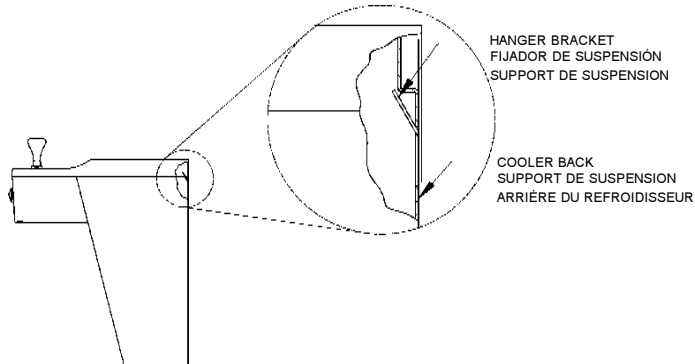
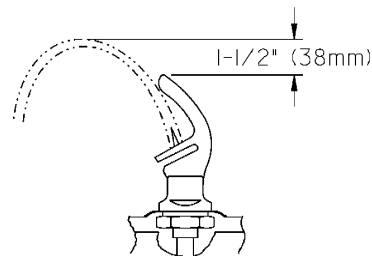


FIG. 4



CORRECT STREAM HEIGHT

FIG. 5

ITEMIZED PARTS LIST

ITEM NO	PART NO	DESCRIPTION
1	31517C	Power Cord
2	30699C	Fan Blade
3	70018C	Hex Nut - Fan Blade
4	31490C	Fan Motor
5	70009C	Screw - (Fan Motor)
6	22899C	Shroud - Fan
7	38417001	Screw - #8-18 x 3/8" Lg. (Fan Shroud)
8	70241C	Clip (Front and Rear Panels)
9	15008C	Nipple - Bubbler
10	51544C	Bubbler - Chrome
	45396C	Bubbler - Aztec Gold
11	10-03227-40-560	Gasket - Bubbler (upper and lower)
12	62152C	Condenser
13	66202C	Drier
14	See Color Table	Panel - Right Rear (Refrig. Unit)
15	See Color Table	Panel - Right Rear (Left Unit)
16	See Color Table	Panel - Left Rear (Left Unit)
17	See Color Table	Panel - Left Rear (Refrig. Unit)
18	See Color Table	Panel - Front Lower
19	10-15161-43-550	Stud - Compressor Mtg.
20	10-08067-40-570	Grommet - Compressor Mtg.
21	19037000	Clip - Compressor Mtg.
22*	35947C	Compressor Serv. Pak EM65
23	31039C	Overload/Relay P600B/427NFBYY
24	35768C	Cover - Relay
25	35935C	Capacitor - Run
26	66532C	Heat Exchanger
27	40022C	Waste Line Assembly
28	16-07448-51-550	Tailpiece Assembly (Left Unit)
29	45351C	Waste Line Assembly
30	55884C	Fitting - Elbow 1-1/4
31	55885C	Nut - Slip Joint 1-1/4
32	10-01471-40-560	Gasket - Drain
33	10-26399-31-640	Drain Plug - Chrome
	45413C	Drain Plug - Aztec Gold
34	16-02705-08-640	Strainer Plate - Chrome
	45400C	Strainer Plate - Aztec Gold
35	22893C	Basin - Stainless Steel
	27594C	Basin - Aztec Gold
36	75532C	Screw - Basin Mtg. Stainless Steel
	75573C	Screw - Basin Mtg. Aztec Gold
37	10-06876-08-640	Plug Button - Chrome
	75571C	Plug Button - Aztec Gold
38	31513C	Cold Control
39	66534C	Evaporator Assembly
40	70002C	Screw - #10 x 1/2" Lg. HHSM
41	55996C	Strainer
42	See Color Table	Cover - Dispenser Bottom
43	22897C	Panel - Bottom Dispenser
44	51531C	Block - Pivot
45	11-14117-43-620	Nut - 1/4, Self-Threading
46	See Color Table	Panel - Right Side
47	See Color Table	Panel - Left Side
48	See Color Table	Panel - Front Push
49	55859C	Pushbar - Side & Front
50	55947C	Insert - Push Bar, Gray
	55948C	Insert - Push Bar, Brown
51	22900C	Bracket - Front Push
52	70864C	Screw - #8 x 5/8" Lg. Torx/Slot
53	50212C	Rivet - Drive Type
54	51667C	Bumper - Press Bar
55	40045C	Hex Nut
56	23003C	Bracket - Regulator Mounting
57	15005C	Retaining Nut
58	61314C	Regulator
59	50986C	Holder - Regulator
60	70935C	Screw - Shoulder x 1/2" Lg.
61	11-26275-43-890	Screw - Regulator Brkt. Mtg.
62	22901C	Bracket - Side Push
63	70682C	Fitting - Tee 1/4
NS	40-06609-43-730	Hanger Bracket

*REPLACE WITH SAME COMPRESSOR USED IN ORIGINAL ASSEMBLY.

NOTE: All correspondence pertaining to any of the above water coolers or orders for repair parts MUST include Model No. and Serial No. of cooler, name and part number of replacement part.

COLOR TABLE

PANEL COLOR	Item No. 14 Part No.	Item No. 15 Part No.	Item No. 16 Part No.	Item No. 17 Part No.	Item No. 18 Part No.
Almond Vinyl	22968C	26772C	22961C	26765C	22954C
Aztec Gold	27491C	27511C	27487C	27507C	27499C
Platinum Vinyl	22860C	26806C	22852C	26798C	22844C
Stainless Steel	22862C	26776C	22854C	26800C	22955C
Slate Vinyl	22864C	26810C	22856C	26802C	22848C

COLOR TABLE - PUSH BAR MECHANISM

PANEL COLOR	Item No. 42 Part No.	Item No. 46 Part No. (w/o hole)	Item No. 46 Part No. (with hole)	Item No. 47 Part No. (w/o hole)	Item No. 47 Part No. (with hole)	Item No. 48 Part No.
Almond Vinyl	55931C	23016C	22947C	23009C	22940C	26848C
Aztec Gold	55930C	27503C	27483C	27433C	27479C	27596C
Platinum Vinyl	55931C	22820C	22836C	22812C	22828C	22804C
Stainless Steel	55931C	22822C	22838C	22814C	22830C	22806C
Slate Vinyl	55931C	22824C	22840C	22816C	22832C	22808C



2222 CAMDEN COURT
OAK BROOK, IL 60523
630.574.3500

PRINTED IN U.S.A.

FOR PARTS, CONTACT YOUR LOCAL DISTRIBUTOR OR CALL 1.800.323.0620