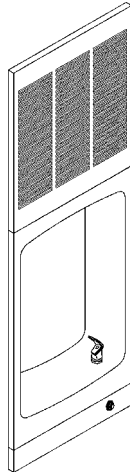


# Halsey Taylor Owners Manual

## Fully-Recessed Barrier-Free Water Cooler



### INSTALLER

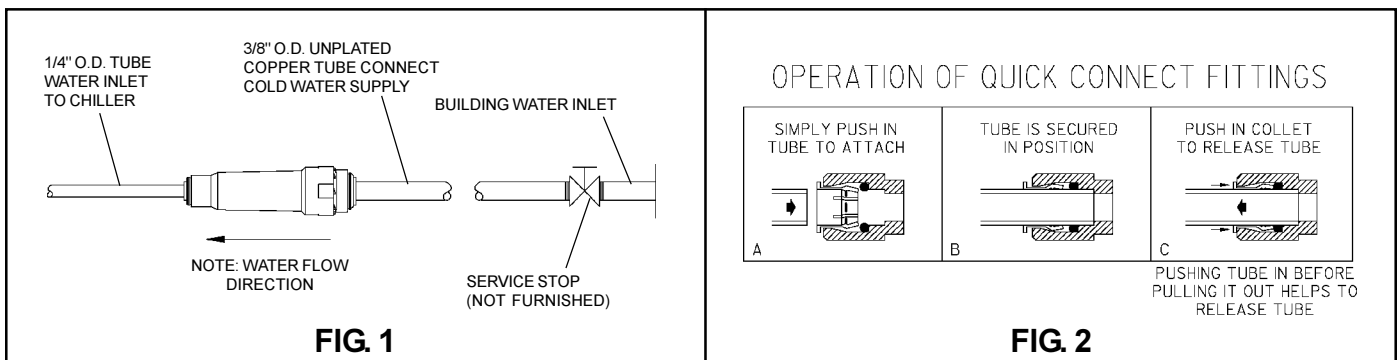
To assure you install these models easily and correctly, PLEASE READ THESE SIMPLE INSTRUCTIONS BEFORE STARTING THE INSTALLATION. CHECK YOUR INSTALLATION FOR COMPLIANCE WITH PLUMBING, ELECTRICAL, AND OTHER APPLICABLE CODES. After installation, leave these instructions with the Water Cooler for future reference.

### IMPORTANT

ALL SERVICE TO BE PERFORMED BY AN AUTHORIZED SERVICE PERSON

### IMPORTANT! INSTALLER PLEASE NOTE.

THE GROUNDING OF ELECTRICAL EQUIPMENT SUCH AS TELEPHONE, COMPUTERS, ETC. TO WATER LINES IS A COMMON PROCEDURE. THIS GROUNDING MAY BE IN THE BUILDING OR MAY OCCUR AWAY FROM THE BUILDING. THIS GROUNDING CAN CAUSE ELECTRICAL FEEDBACK INTO A FOUNTAIN, CREATING AN ELECTROLYSIS WHICH CAUSES A METALLIC TASTE OR AN INCREASE IN THE METAL CONTENT OF THE WATER. THIS CONDITION IS AVOIDABLE BY USING THE PROPER MATERIALS AS INDICATED. ANY DRAIN FITTINGS PROVIDED BY THE INSTALLER SHOULD BE MADE OF PLASTIC TO ELECTRICALLY ISOLATE THE FOUNTAIN FROM THE BUILDING PLUMBING SYSTEM.



## WALL FRAME INSTALLATION INSTRUCTIONS

BEFORE STARTING THE INSTALLATION, PLEASE CHECK YOUR INSTALLATION FOR COMPLIANCE WITH PLUMBING, ELECTRICAL AND OTHER APPLICABLE CODES

1. At 30" above the finished floor, cut a rectangular wall opening 17-1/8" wide by 52-1/4" high. This is required to obtain a rim height of 34-1/2" and 36" bubbler spout height, which is in compliance with ANSI Standard A117.1 (See Fig. 3)
2. Reinforce wall opening on all sides so that it will adequately support the water cooler. **IT MUST SUPPORT UP TO 150 LBS.** and provide a means of securing the frame assembly in place.  
**NOTE:** Building construction must allow for adequate air flow on both sides and top of remote chiller unit.  
**4" MINIMUM IS REQUIRED.**
3. Install rough-in plumbing to fountain. See Fig. 4 for location of supply water inlet to chiller and for location of waste water outlet.
4. Install shelf support rods on wall frame assembly. These rods are located in the chiller shelf package. To install chiller shelf, place shelf on chiller support bracket and attach to support rods. Secure front edge of the shelf to support bracket using two (2) provided 5/16" x 3/4" long bolts and nuts. Tighten securely.
5. Install frame assembly in the wall opening with front edge flush with finished wall face. Secure frame through holes in top and sides to wall support members with 5/16" diameter fasteners (bolts or lag screws) as required by wall constructions. Fourteen (14) bolts/screws are required. **CAUTION: BE SURE THAT FRAME ASSEMBLY IS SQUARED IN ITS LOCATION AND DO NOT USE LESS THAN REQUIRED QUANTITY AND SIZE (DIAMETER) OF FASTENERS.**
6. Install electrical conduit. Figure 4 shows electrical conduit connection location.

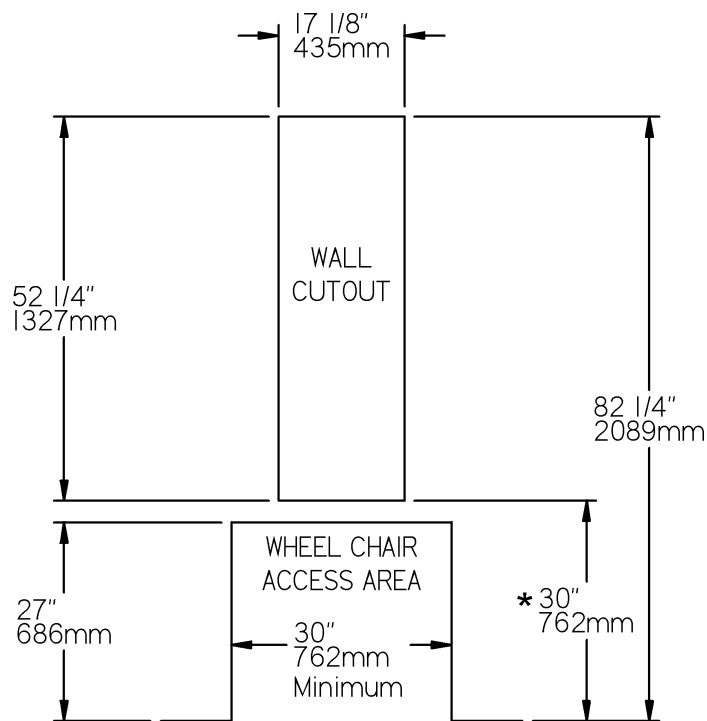
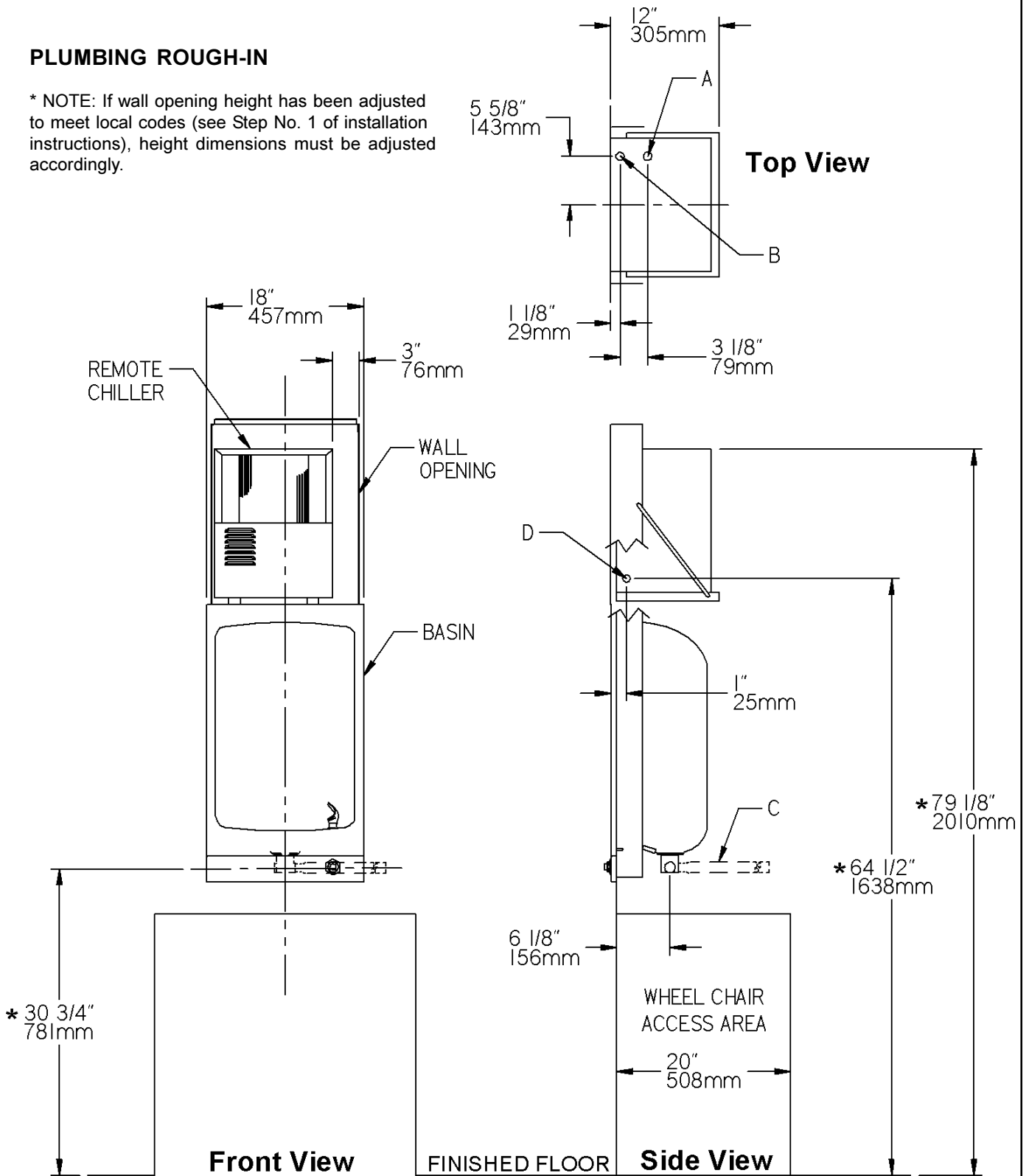


FIG. 3

**\*30" (762mm) to bottom of wall cutout required to obtain 34-1/2" (876mm) rim height (Check local codes)**

**PLUMBING ROUGH-IN**

\* NOTE: If wall opening height has been adjusted to meet local codes (see Step No. 1 of installation instructions), height dimensions must be adjusted accordingly.



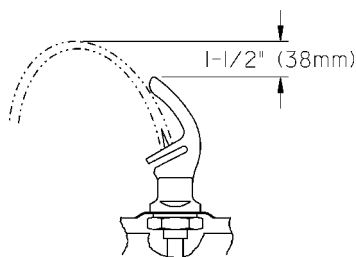
**FIG. 4**

**LEGEND**

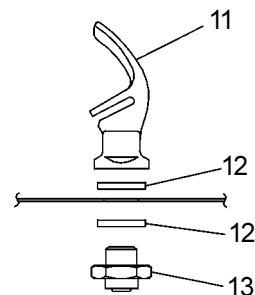
- A = 1/4" O.D. TUBE CONNECT (CHILLER WATER OUTLET)
- B = 3/8" O.D. TUBE CONNECT (CHILLER WATER INLET) SHUT OFF VALVE BY OTHERS
- C = 1-1/4" O.D. WASTE WATER OUTLET TUBE (TRAP NOT FURNISHED)
- D = ELECTRICAL INLET

## INSTALLATION INSTRUCTIONS

1. Install remote chiller. Remove front panel of chiller. **Remove and discard cardboard inner pack from between compressor and side panel.** Slide chiller onto the shelf and position it to the left within the guides on the shelf. (See Fig. 4)
2. Make water supply connections. The inlet port is marked on the chiller (1/4" O.D. copper tube). Bend the copper tube (provided) at an appropriate length from chiller to opening in frame. Install the in-line strainer (provided with chiller) by pushing it in until it reaches a positive stop, approximately 3/4" (19mm) on the marked chiller inlet port. Attach an unplated and deburred copper water inlet line and a service stop (not provided) to the in-line strainer. Turn on the water supply and flush the line thoroughly. **DO NOT SOLDER TUBES WHILE INSERTED INTO THE STRAINER AS DAMAGE TO THE O-RINGS MAY RESULT.** (See Fig. 10)
3. Remove noise pad from paper and locate on bottom back of the basin between the drain and the bubbler holes. **CAUTION: TO INSURE PAD DOES NOT INTERFERE WITH THE HOLE AREAS, TRIM THE PAD SO THERE IS APPROX. 1/2" CLEARANCE AROUND THE HOLES.** (See Fig. 7)
4. Attach basin mounting brackets to basin studs located in the lower corners with the two (2) provided wing nuts. Tighten securely. (See Fig. 8)
5. Install basin. Place the upper edge of basin above the hangers in the wall frame. Slide the basin down until it is engaged before releasing it. Secure basin with the provided two (2) #8 x 3/4" tap screws and two (2) 11/64" ID washers. (See Figs. 8 & 9)
6. Install waste tube assembly. Align threaded portion of drain tube assembly with drain hole in basin. Place rubber gasket between drain assembly and basin. Screw in drain plug from above and tighten securely. Snap strainer plate into drain plug. (See Fig. 13)
7. Make connection between remote chiller outlet tube and fountain. Outlet port is marked on the chiller (1/4" O.D. copper tube). Install a 1/4" x 1/4" union (provided) on the marked chiller outlet port. Insert the 1/4" poly tubing coming from the fountain into the union. Turn on water supply and check for leaks. **DO NOT SOLDER TUBES WHILE INSERTED INTO THE UNION AS DAMAGE TO THE O-RINGS MAY RESULT.** (See Figs. 10 & 11)
8. Make electrical connections to the chiller. See chiller instructions.
9. Install chiller access panel. Insert two tabs on bottom of panel in slots on the frame (located just above basin). Swing top of panel in place and secure using (provided) mounting screws.
10. Attach regulator holder (Item 19) to front panel (Item 5) with hex nut (Item 22). Install front panel. Hold panel and engage angle on top edge of panel with lower edge of basin. Swing bottom of panel into place against the wall and secure using panel mounting screws (provided).
11. Open service stop and operate push button to purge air. Check thoroughly for leaks. Check stream height from bubbler. Stream height is factory set at 35-40 PSI. If supply pressure varies greatly from this, remove items 23 & 24 and adjust the screw on regulator (Item 20). Clockwise adjustment will raise stream height and counter-clockwise will lower stream height. For best adjustment stream height should be approximately 1-1/2" (38mm) above the bubbler guard. (See Fig. 5)



**FIG. 5**



**FIG. 6**

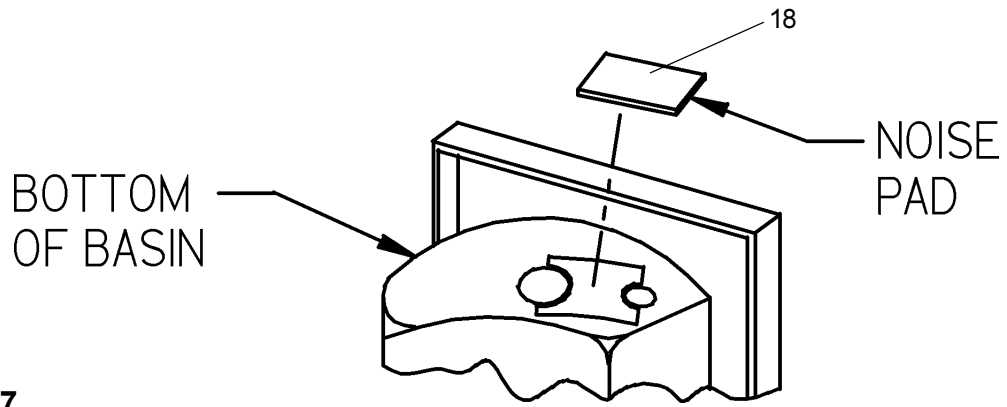


FIG. 7

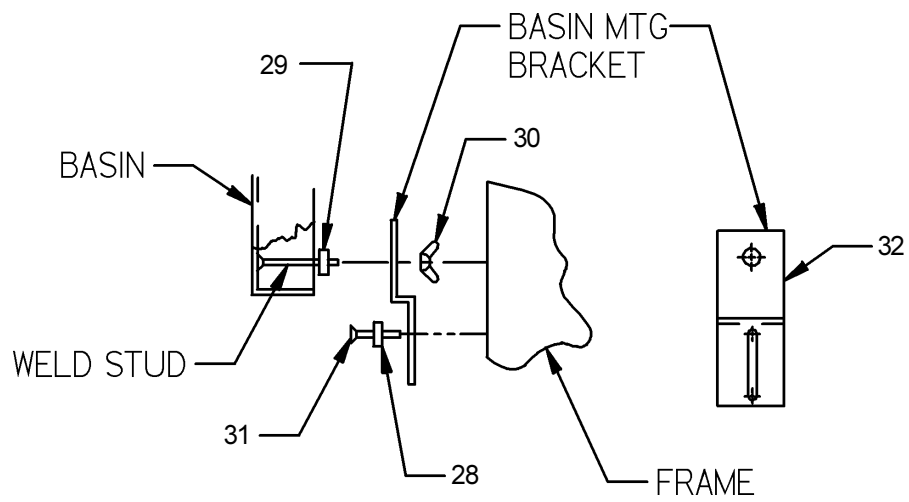


FIG. 8

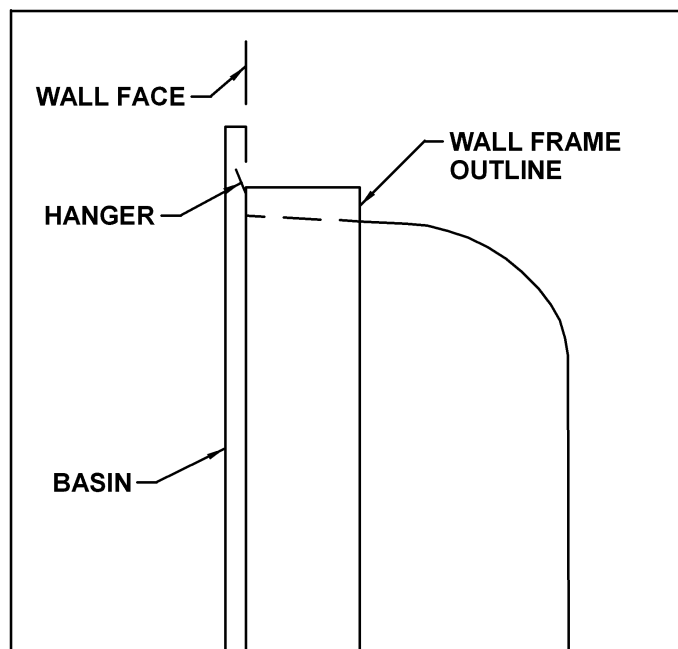


FIG. 9

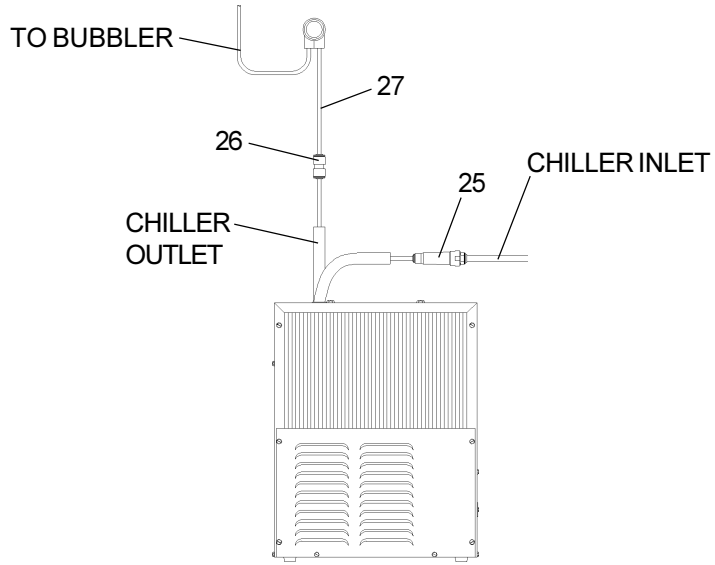


FIG. 10

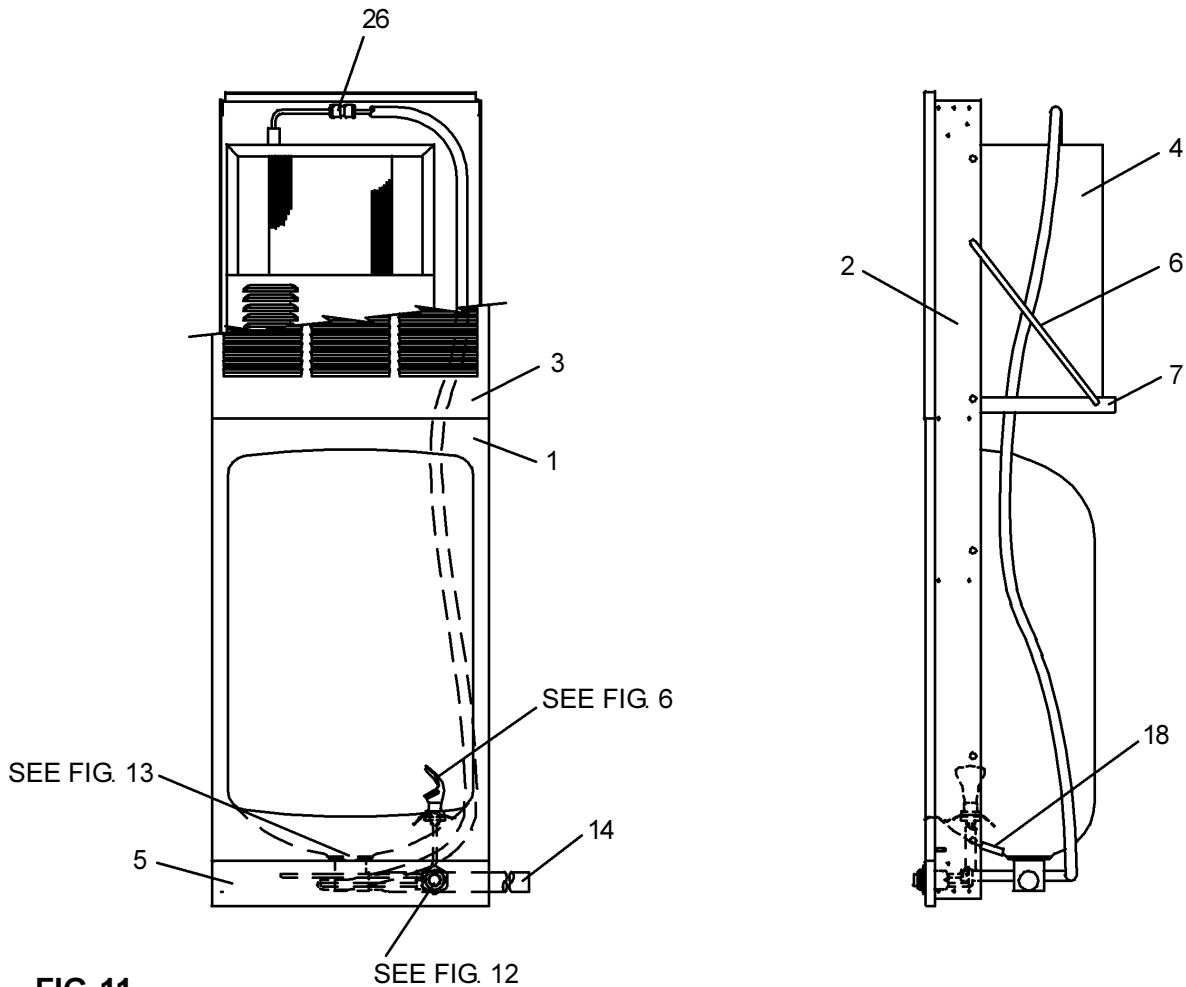


FIG. 11

ITEMIZED PARTS LIST

ITEM NO.	PART NO.	DESCRIPTION
1	170857042830	Basin
2	732654351551	Mounting Frame
3	402658242830	Grille
4	8214080073	Remote Chiller Assembly
5	23021C	Front Panel
6	101567443730	Shelf Support Rod
7	402654143730	Chiller Shelf
8	100147140560	Gasket
9	160270508650	Strainer Plate
10	161637308640	Drain Plug
11	51546C	Bubbler
12	100322740560	Bubbler Gasket (2-Req'd)
13	62300C	Bubbler Tube Assy
14	66346C	Waste Tube
15	75588C	Nut - Slip Joint 1-1/4
16	75589C	Washer - Seal
17	56121C	Drain Elbow
18	74050011	Noise Pad
19	50986C	Regulator Holder
20	61313C	Regulator
21	15005C	Retaining Nut
22	40169C	Hex Nut
23	40089C	Cover Nut
24	40048C	Button
25	55996C	In-Line Strainer
26	70683C	Union - 1/4"
27	56092C	Poly Tubing (Cut To Length)
28	110308443890	Washer - Flat
29	70415C	Washer - Flat #10 SS
30	110857443890	Wing Nut 10-24
31	1110166	Screw - #8 x .75
32	401109542830	Basin Bracket
N-S	111008343890	Screw - #10-24 x .62 HHMS

N-S means Not Shown

TROUBLE SHOOTING AND MAINTENANCE

**Orifice Assy:** Mineral deposits on orifice can cause water flow to spurt or not regulate. Mineral deposits may be removed from the orifice with a small round file not over 1/8" diameter or small diameter wire. **CAUTION: DO NOT** file or cut orifice material.

**Stream Regulator:** If orifice is clean, regulate flow as in instructions. If replacement is necessary, see parts list for correct regulator part number.

**Actuation of Quick Connect Water Fittings:** Cooler is provided with lead-free connectors which utilize an o-ring water seal. To remove tubing from the fitting, relieve water pressure, push in on the gray collar while pulling on the tubing. (See Fig.2) To insert tubing, push tube straight into fitting until it reaches a positive stop, approximately 3/4".

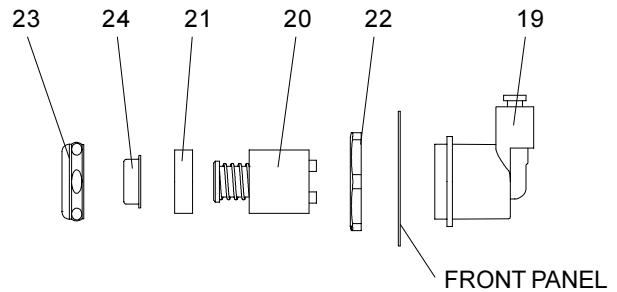


FIG. 12

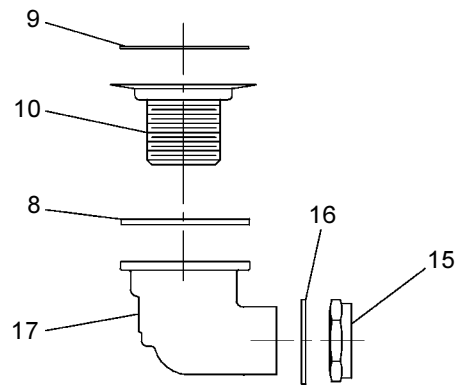


FIG. 13

**Halsey Taylor**  
 2222 CAMDEN COURT  
 OAK BROOK, IL 60523  
 630.574.3500

**THIS PAGE INTENTIONALLY LEFT BLANK**