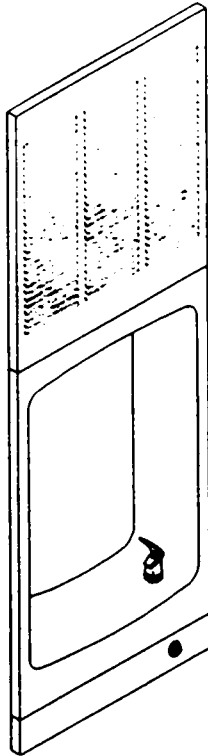


# Halsey Taylor Owners Manual

Model: BFMR-1  
*Refrigerated Water Cooler*



BFMR-1 Wallframe & plumbing/electrical rough-ins . . . . .	Page 2
BFMR-1 Fountain & chiller installation . . . . .	Page 5
Itemized parts list . . . . .	Page 7
Care of Golden Bronzestone Models . . . . .	Page 8

## Installer

To assure you install this model easily and correctly,  
**PLEASE READ THESE SIMPLE INSTRUCTIONS BEFORE STARTING THE  
INSTALLATION. CHECK YOUR INSTALLATION FOR COMPLIANCE WITH  
PLUMBING, ELECTRICAL AND OTHER APPLICABLE CODES.** After install-  
ation, leave these instructions inside the cooler for future reference.

### IMPORTANT

ALL SERVICE TO BE PERFORMED BY AN AUTHORIZED SERVICE PERSON 92482C (REV B)

# INSTALLATION INSTRUCTIONS

## BFM-R-1 MODEL WATER COOLER WALLFRAME INSTALLATION

**BEFORE STARTING THE INSTALLATION, PLEASE CHECK YOUR INSTALLATION FOR COMPLIANCE WITH PLUMBING, ELECTRICAL AND OTHER APPLICABLE CODES**

At 30" above the finished floor, cut a rectangular wall opening 17-1/8" wide by 52-1/4" high. This is required to obtain a rim height of 34-1/2" and 36" bubbler spout height, which is in compliance with ANSI Standard A117.1 (See Illustration A)

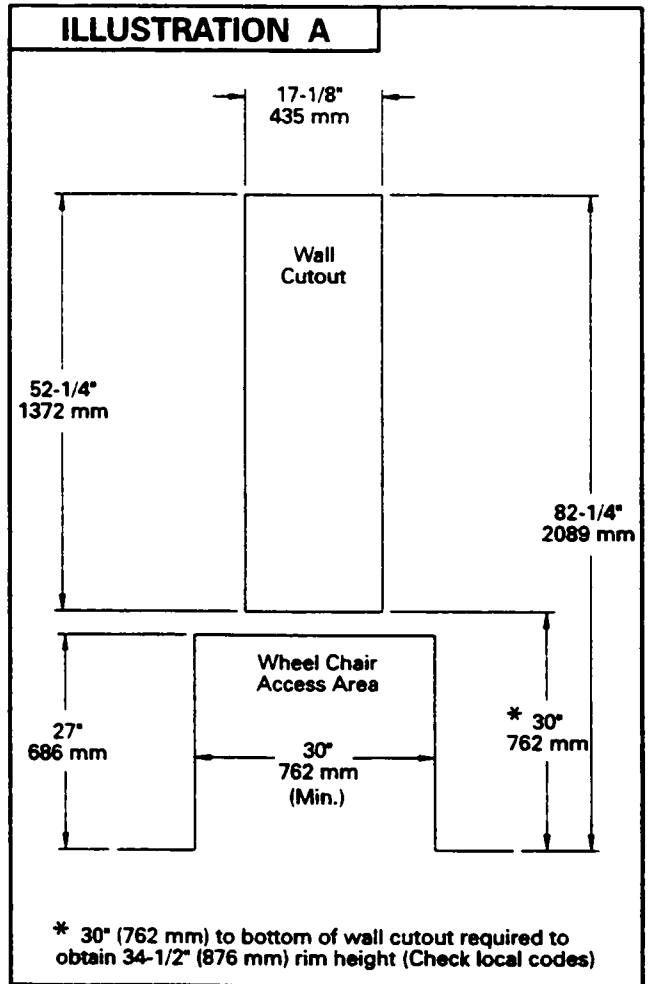
Reinforce wall opening on all sides so that it will adequately support the water cooler. **IT MUST SUPPORT UP TO 150 LBS.** and provide a means of securing the frame assembly in place. **NOTE:** Building construction must allow for adequate air flow on both sides and top of remote chiller unit. **4" MINIMUM IS REQUIRED.**

Install rough-in plumbing. See illustration B for location of supply water inlet to chiller and for location of waste water outlet.

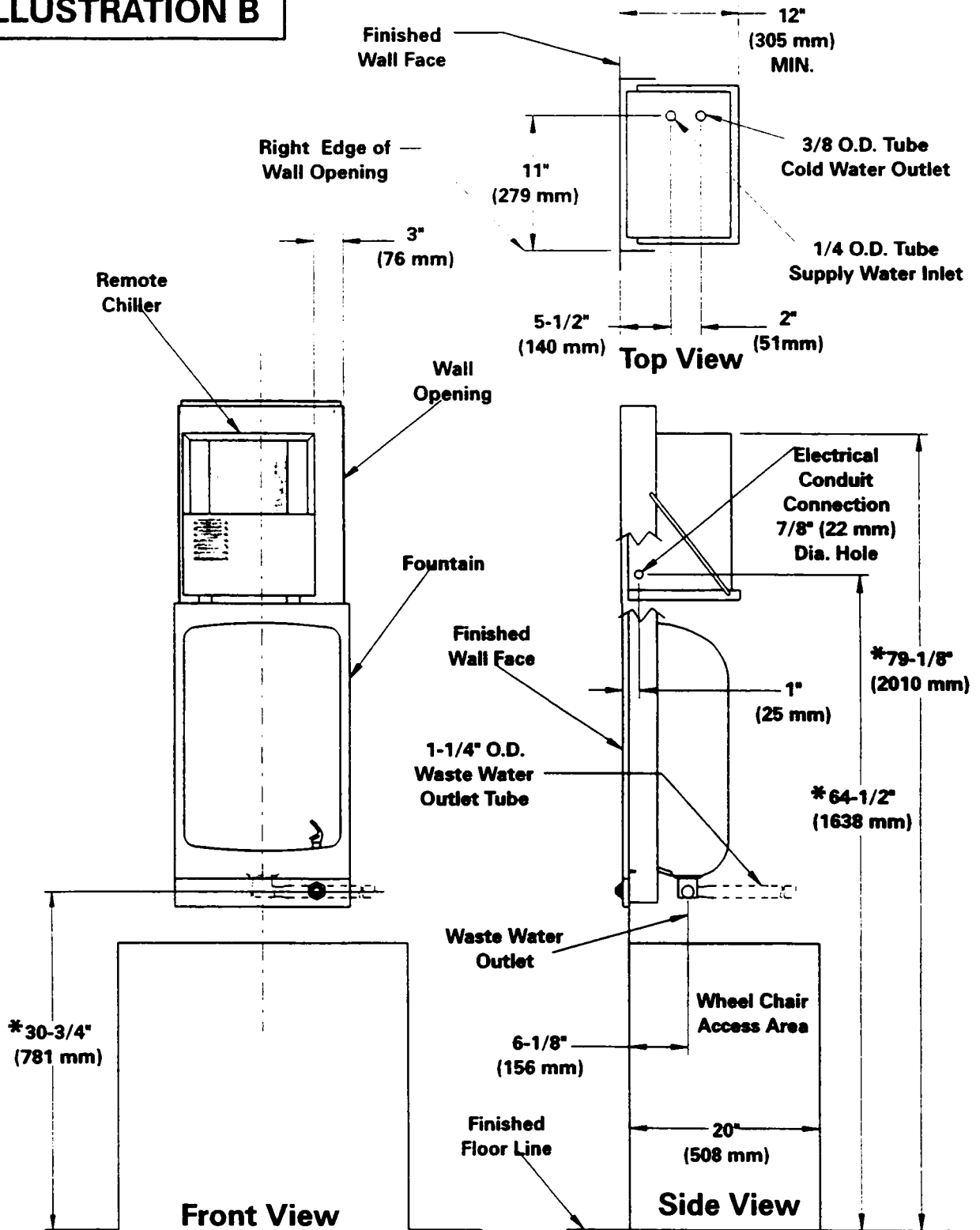
Install shelf support rods on wall frame assembly. These rods are located in the chiller shelf package. To install chiller shelf, place shelf on chiller support bracket and attach to support rods. Secure front edge of the shelf to support bracket using two (2) provided 5/16" x 3/4" long bolts and nuts. Tighten securely (See Illustration C).

Install frame assembly in the wall opening with front edge flush with finished wall face. Secure frame through holes in top and sides to wall support members with 5/16" diameter bolts or lag screws (not supplied). Fourteen (14) bolts/screws are required. **CAUTION: BE SURE THAT FRAME ASSEMBLY IS SQUARED IN ITS LOCATION AND DO NOT USE LESS THAN THE DIAMETER OF THE FASTENERS.**

Install electrical conduit rough-in. Illustration B shows location of electrical conduit.

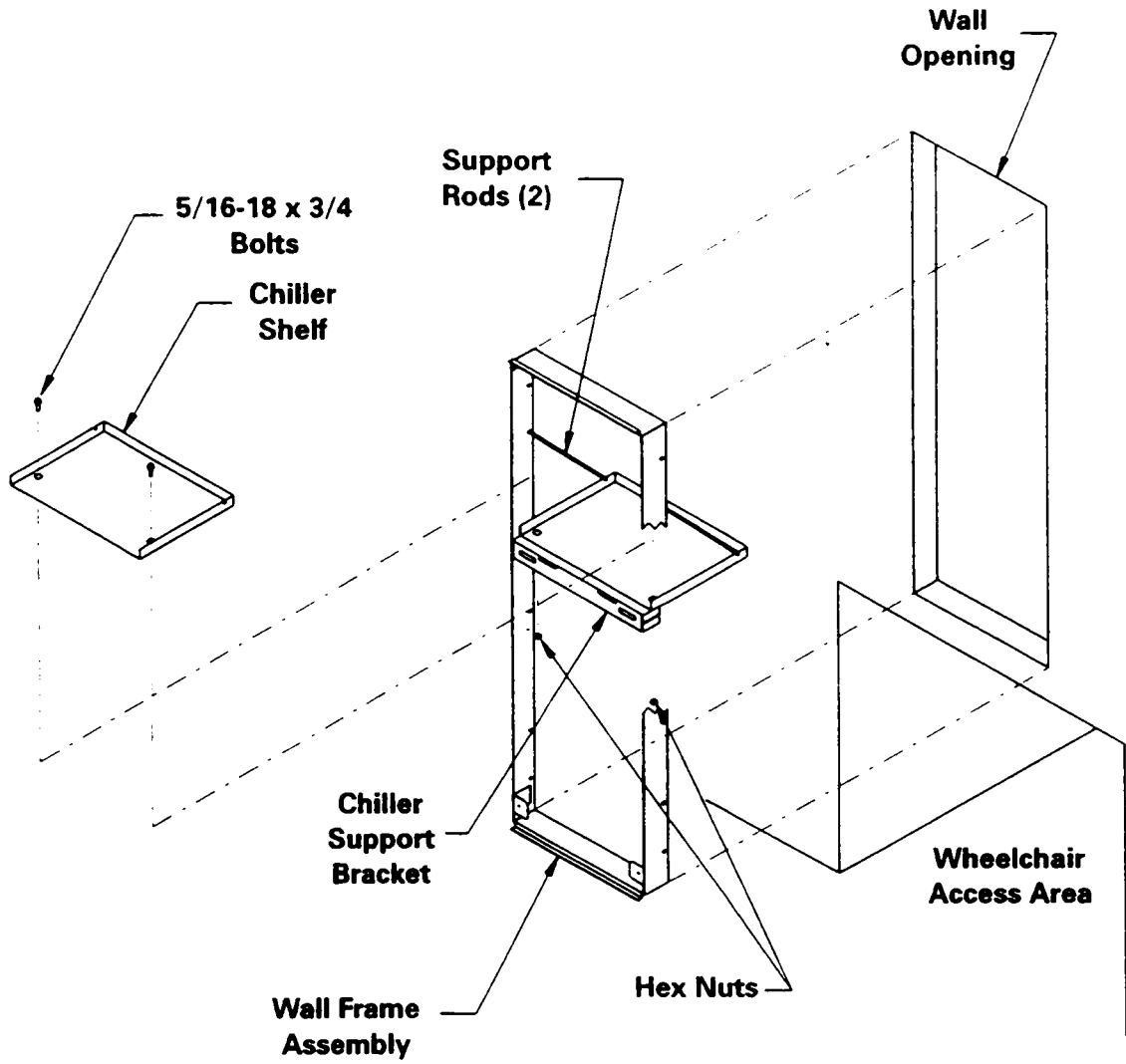


# ILLUSTRATION B



**\* NOTE:** If wall opening height has been adjusted to meet local codes (see step No. 1 of Instructions), height dimensions must be adjusted accordingly.

# ILLUSTRATION C



# INSTALLATION INSTRUCTIONS

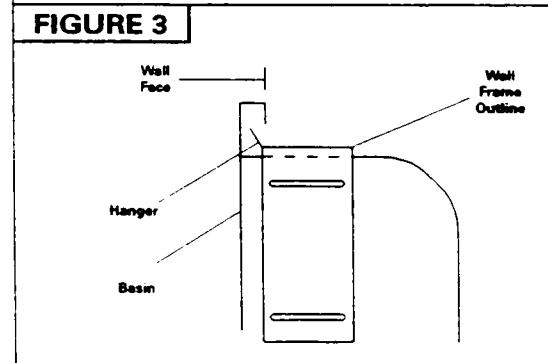
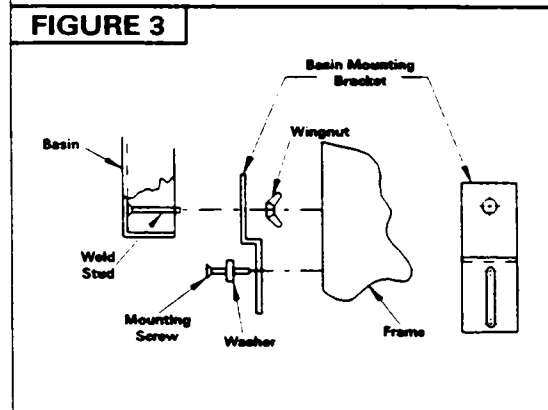
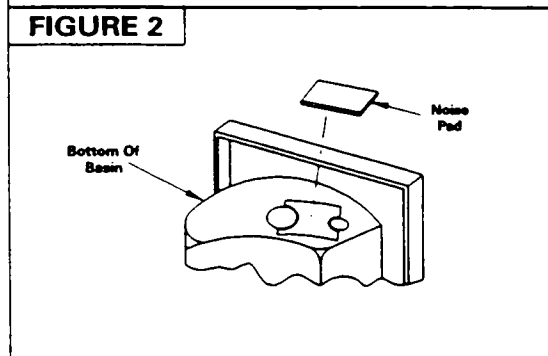
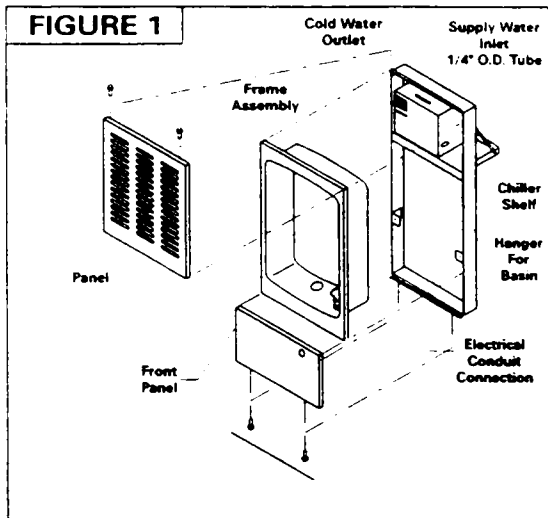
## BFM-R-1 MODEL WATER COOLER

### FOUNTAIN/CHILLER INSTALLATION

Remove noise pad from paper and locate on bottom back of the basin between the drain and the bubbler holes (See figure 2).

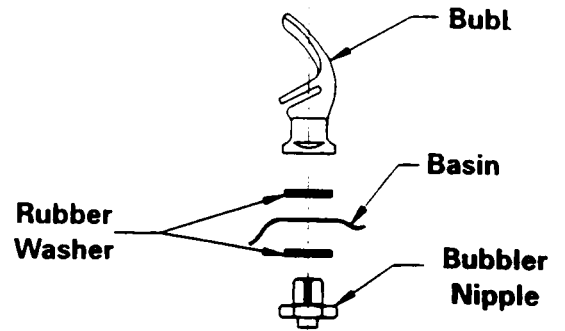
**CAUTION: TO INSURE PAD DOES NOT INTERFERE WITH THE HOLE AREAS, TRIM THE PAD SO THERE IS APPROX. 1/2" CLEARANCE AROUND THE HOLES.**

1. Attach basin mounting brackets to basin studs located in the lower corner with the two (2) provided wing nuts (See Figure 3). Tighten securely.
3. Install basin. Place the upper edge of basin above the hangers in the wall frame. Slide the basin down until it engaged before releasing it. (See Figure 4).
4. Finish securing basin in place through the mounting bracket using the provided two (2) #8 x 3/4" tap screws and two (2) 11/64" ID washers. (See Figure 3).
5. Install waste tube assembly. Align threaded portion of drain tube assembly with drain hole in basin. Place rubber gasket between drain assembly and basin. Screw in drain plug from above and tighten securely. Snap strainer plate into drain plug.
6. Install a service stop (not provided) on supply water inlet line. Turn on supply water and flush thoroughly.
7. Install remote chiller unit (See Figure 1). Slide chiller onto chiller shelf and position it tight against left side of frame. NOTE: Building construction must allow for adequate air flow on both sides and top of chiller. 4" minimum is required.

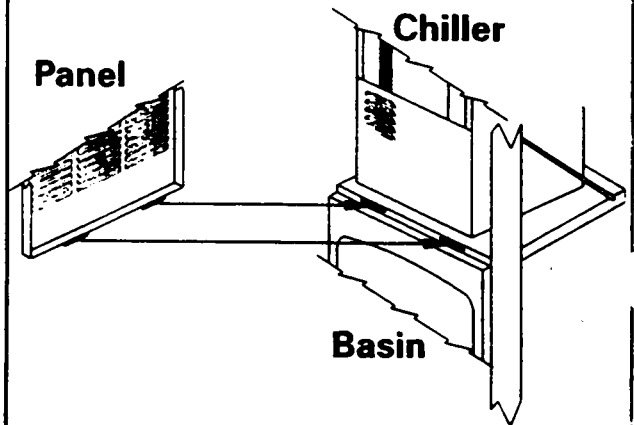


8. Make connection from water chiller outlet to regulator valve assembly using the provided y-strainer. Loosen nut on inlet side of y-strainer and insert water line to positive stop approximately 3/4". Finger tighten nut to lock tubing in place.
9. Open service stop and operate push button to purge air from system. Check thoroughly for leaks. Check stream height from bubbler. Stream height is factory set at 45-50 PSI. If supply pressure varies greatly from this, remove items 20, & 21 and adjust screw on regulator (item 17). Clockwise adjustment will raise stream height and CCW adjustment will lower stream height. For best adjustment stream height should be approximately 1-1/2" (38 mm) above the bubbler guard. (See fig. 8 on page 8).
10. Make electrical connections. Figure 1 shows electrical conduit connection location. See chiller installation instructions for additional electrical information.
11. Install chiller access panel (See Figure 6 and 7). Insert two tabs on bottom of panel in slots on the frame (located just above basin). Swing top of panel in place and secure using provided panel mounting screws.
12. Attach regulator housing (Item 16) to front panel (Item 5) with hex nut (Item 19). Install front panel (See Fig. 1). Hold panel and engage angle on top edge of panel with lower edge of basin. Swing bottom of panel into place against the wall and secure using panel mounting screws (provided).

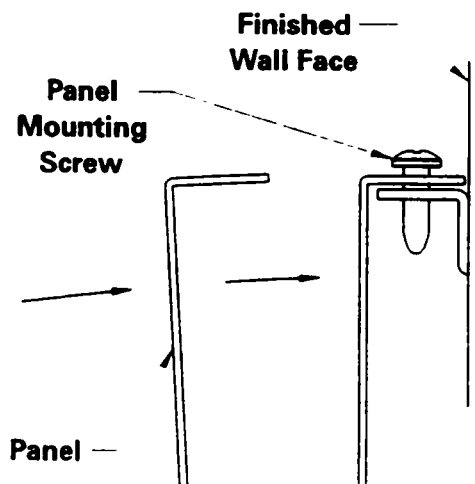
**FIGURE 5**



**FIGURE 6**

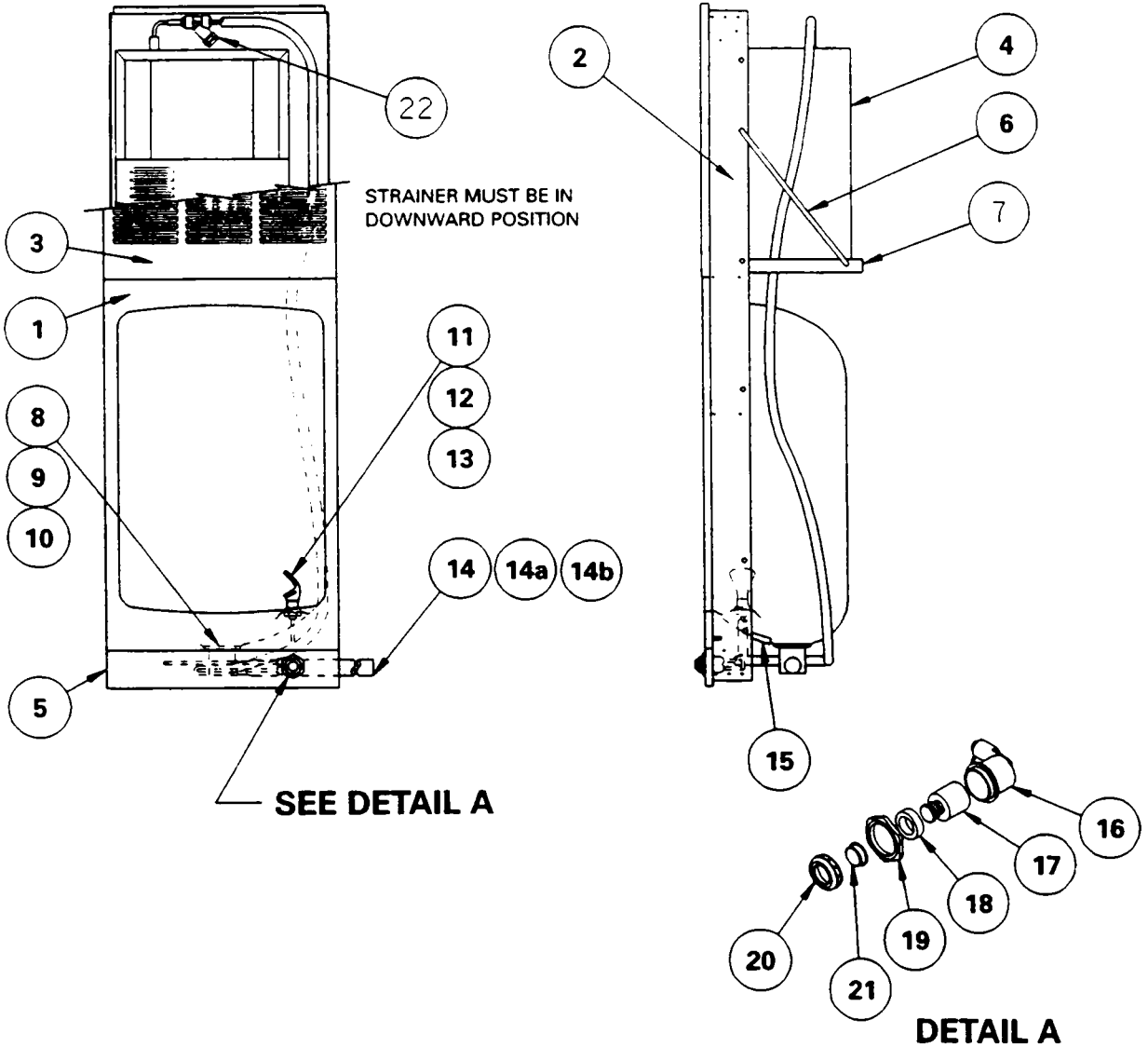


**FIGURE 7**



# ITEMIZED PARTS LIST

## BFM-R-1 WATER COOLER

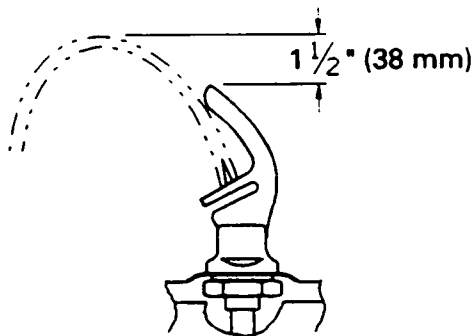
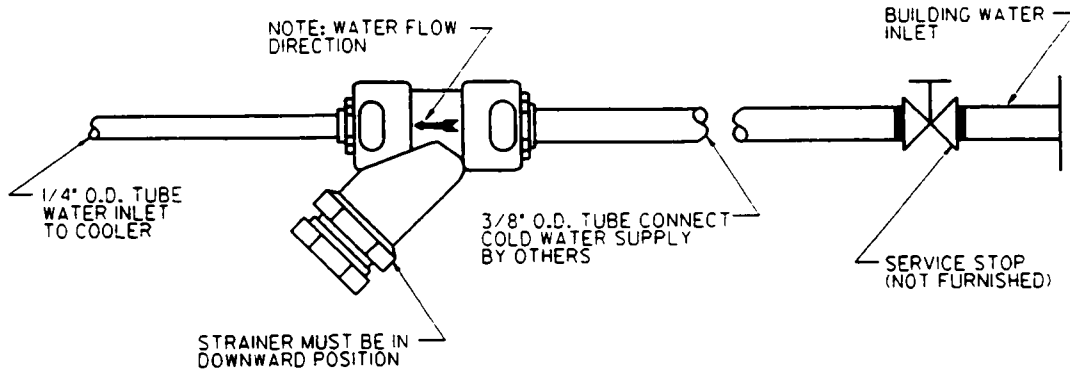
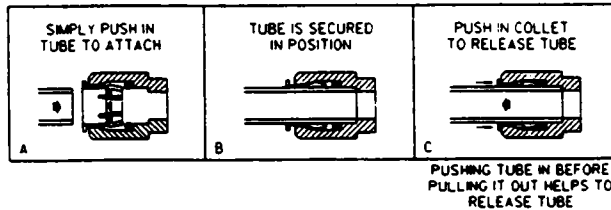


ITEM	PART NO.	DESCRIPTION
1	170857042830	Basin - Stainless Steel
	410857042450	Basin - Golden Bronzestone
2	732654351551	Mounting Frame
3	402658242830	Grille - Stainless Steel
	612658242450	Grille - Golden Bronzestone
4	Reference	Remote Chiller Assembly
5	23021C	Front Panel - Stainless Steel
	23022C	Front Panel - Golden Bronzestone
6	101567443730	Shelf Support Rod
7	402654143730	Chiller Shelf
8	100147140560	Gasket
9	160270508650	Strainer Plate - Chrome
	410270508450	Strainer Plate - Golden Bronzestone
10	102639931920	Drain Plug - Chrome
	411637308450	Drain Plug - Golden Bronzestone
11	51546C	Bubbler - Chrome
	51545C	Bubbler - Golden Bronzestone

ITEM	PART NO.	DESCRIPTION
12	100322740560	Gasket - Bubbler (2 Req'd)
13	10080C	Nipple - Bubbler
14	66346C	Tube-Waste
14a	55885C	Nut 1-1/4 Slip Joint
14b	55884C	Elbow - Drain
15	74050011	Noise Pad
16	50985C	Holder - Regulator
17	61313C	Regulator
18	10031C	Retaining Nut
19	40169C	Hex Nut - Chrome
	40170C	Hex Nut - Golden Bronzestone
20	40089C	Cover Nut - Chrome
	40119C	Cover Nut - Golden Bronzestone
21	40048C	Button - Chrome
	40065C	Button - Golden Bronzestone
22	70788C	Y - Strainer

# CAUTION

Cleaning of Golden Bronzitone Models requires special care. Outer surfaces must be cleaned with a mild detergent or mixture of vinegar and water only, rinsed and wiped dry. Abrasive and acidic cleaners may eventually damage the Golden Bronzitone finish.



CORRECT STREAM HEIGHT

FIGURE 8

**Halsey Taylor**®

P. O. BOX 9001  
OAK BROOK, IL 60521  
(708) 574-3500

PRINTED IN U.S.A.

FOR PARTS, CONTACT YOUR LOCAL DISTRIBUTOR OR CALL 1-800-323-0620