

HALSEY TAYLOR OWNERS MANUAL

USES HFC-134A REFRIGERANT

INSTALLATION

1. Locate water cooler in a well ventilated space where temperature is always above freezing.
2. Insure proper ventilation by maintaining a minimum clearance of 2"(51mm) on sides and rear of cooler.
3. Make sure cooler is on a level surface.

START UP

1. Install drip tray below faucet.
2. Thoroughly clean the cooling tank and baffle. Baffle must be in place for proper cooling operation.
3. Remove the cap from bottle and invert the bottle on the top of the unit.

CAUTION: Avoid filling the water tank above the level normally maintained by inverted bottle.

4. Hold faucet handle down until air bubbles rise in water bottle. On hot models, depress hot faucet handle until water flow is continuous and clear. Connect cooler to electrical supply.

CAUTION: HOT TANK MUST BE FILLED WITH WATER BEFORE CONNECTING TO ELECTRICAL SOURCE.

CLEANING

ALL PLASTIC PARTS ARE DISHWASHER SAFE.

Bottle ring, drip tray and shelf can be cleaned with any NON-abrasive household cleaner. To prevent damage to plastic parts, avoid abrasive cleaning aids such as steel wool, etc.

MAINTENANCE

TEMPERATURE CONTROL (Cold Control): The thermostat is set to deliver water at approximately 45° F. (7° C.). For colder water, adjust the screw on the thermostat clockwise. The thermostat is located at the rear of cooler.

TEMPERATURE CONTROL (Hot Water): The thermostat is factory set to deliver water at approximately 180° F. (82° C.) and is not adjustable.

CAUTION: HEATER TANK MUST BE FILLED WITH WATER BEFORE CONNECTING TO THE ELECTRICAL SOURCE.

LUBRICATION: None required.

CONDENSER: To ensure optimum cooler performance, condenser must be maintained free of dust and lint. Condenser must be regularly inspected and cleaned with a brush.

DRIP TRAY: The drip tray should be emptied and cleaned regularly. To remove pull drip tray straight forward from the cabinet.

REPLACING WATER BOTTLE: Depress faucet handle(s) until air bubbles rise in bottle after each replacement, this will ensure correct water level for proper operation.

STORAGE or RETURN SHIPMENT: If the cooler is removed from service, the water must be completely drained from the system.

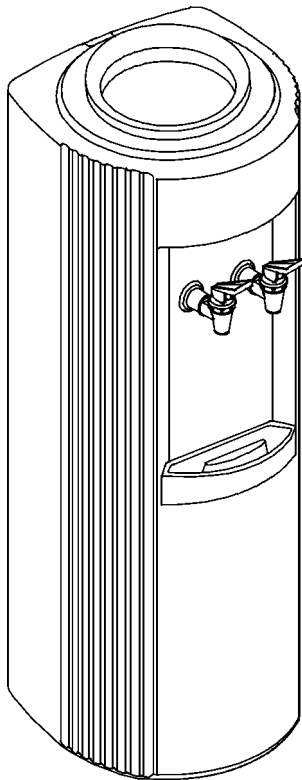


FIG. 1

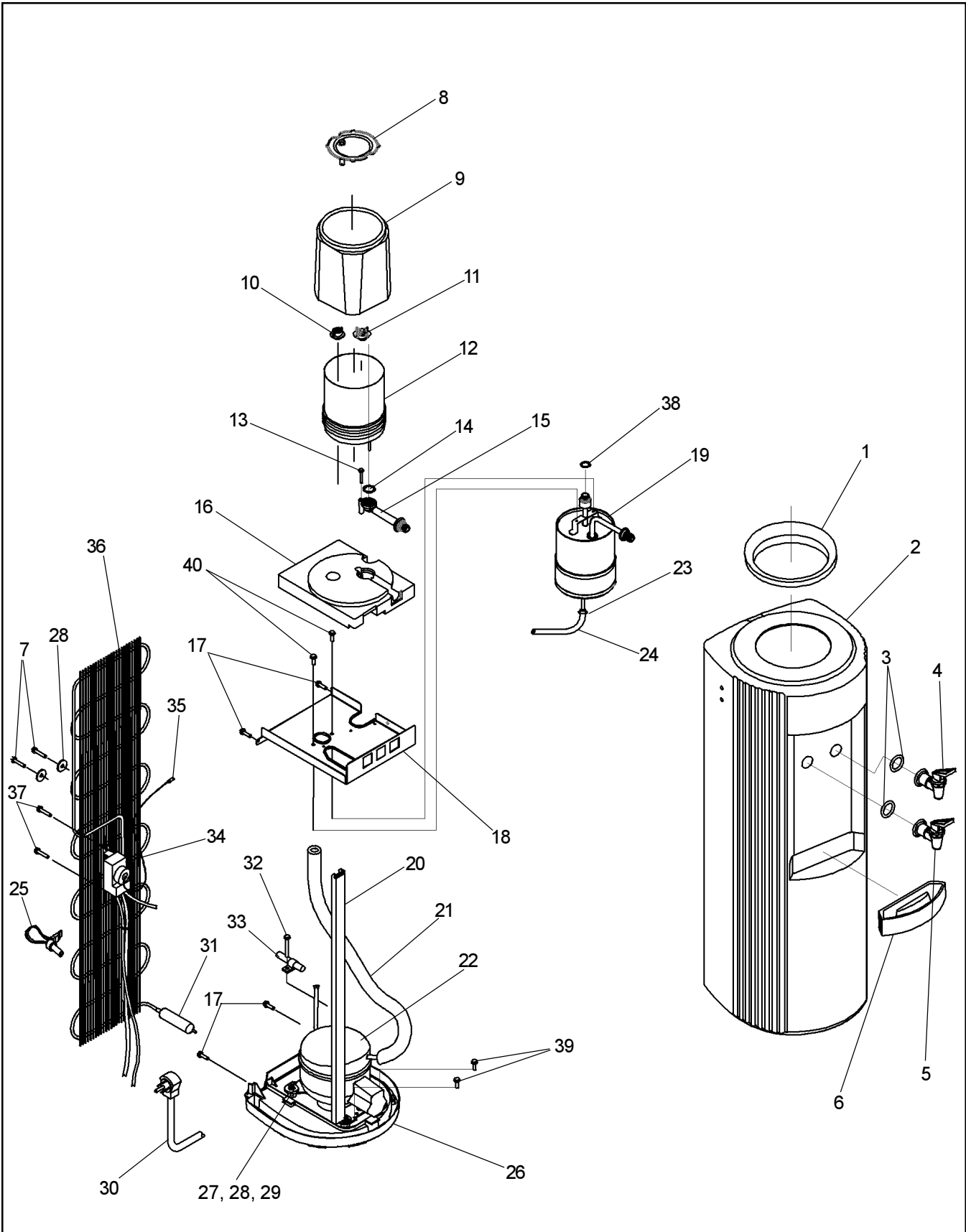


FIG. 2

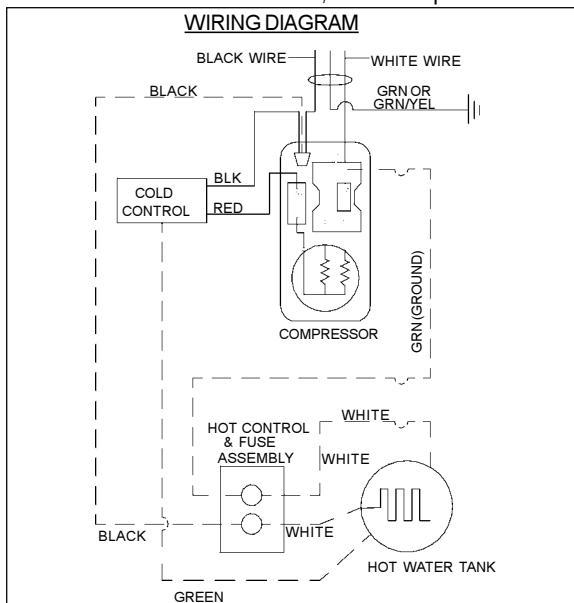
GBMAKV*B GBMAHV*B

ITEMIZED PARTS LIST

ITEMNO.	GBMAKV	GBMAHV	DESCRIPTION
1	52364C	52364C	BOTTLE RING
2	52386C	52386C	SHELL-CABINET (WHITE)
3	51362C	51362C	WASHER (WHITE) -FAUCET
4	51527C	51527C	FAUCET-WHITE W/BLUE HANDLE (COLD)
5	51526C	-	FAUCET-WHITE W/WHITE HANDLE (COOK)
	-	51998C	FAUCET-WHITE W/RED HANDLE (HOT)-CHILD RESISTANT
6	52267C	52267C	DRIPTRAY (GRANITE)
7	71019C	71019C	SCREW-#8-18 SPECIAL
8	52430C	52430C	BAFFLE
9	52369C	52369C	INSULATION-SLEEVE
10	-	52428C	NUT-WATER INLET
11	52427C	52427C	NUT-COLD WATER OUTLET
12	62450C	62451C	EVAPORATOR ASSEMBLY
13	71081C	71081C	SCREW-#8 X 1-3/4" LONG SLOTTED HEX WASHER HEAD
14	52419C	52419C	"O"-RING #119
15	52429C	52429C	WATERWAY-PLASTIC
16	52431C	52432C	INSULATION-BASE
17	71104C	71104C	SCREW-#8-16 X 3/4" LG. HEX HEAD
18	23297C	23297C	SHELF
19	-	31768C	HOT TANK ASSEMBLY 115V
20	23285C	23285C	STRUT
21	62290C	62290C	HEAT EXCHANGER
22*	31730C	31730C	COMPRESSOR SERVICE PACK
23	-	70346C	CLAMP - TUBE
24	-	50781C	TUBING - SILICONE 3/8 O.D.
25	-	51860C	PLUG & DRAIN
26	52441C	52441C	BASE (WHITE)
27	50196C	50196C	GROMMET
28	70420C	70420C	WASHER-PLAIN (SPECIAL)
29	70951C	70951C	SCREW-#10-16 x 1.38" LG. HEX. HEAD HI-LOW
30	31759C	31759C	CORD-POWER
31	62289C	62289C	DRIER
32	71014C	71014C	SCREW-#10-16 x 1/2" LG. HEX. HEAD HI-LOW
33	71066C	71066C	CLAMP-POWER CORD
34	31754C	31754C	COLD CONTROL
35	51952C	51952C	CAP-BULB WELL TUBE
36	62439C	62439C	CONDENSER
37	70987C	70987C	SCREW-#8-32 x .50" LG. HEX. HEAD HI-LOW
38	-	52420C	"O"-RING #116
39	70989C	70989C	SCREW - #8-36 X .37 GRND
40	-	38417002	SCREW - 8-18 X .50 HHSM

*INCLUDES RELAY & OVERLOAD. IF UNDER WARRANTY, REPLACE WITH SAME COMPRESSOR USED IN ORIGINAL ASSEMBLY.

NOTE: All correspondence pertaining to any of the above water coolers or orders for repair parts MUST include Model No. and Serial No. of cooler, name and part number of replacement part.



FOR PARTS, CONTACT GRAINGER PARTS AT 1.800.323.0620 OR FACTORY DIRECT AT:

Halsey Taylor
 2222 CAMDEN COURT
 OAK BROOK, IL 60523
 630.574.3500

Division of Elkay Manufacturing Company
 2222 Camden Court, Oak Brook, Illinois 60523 U.S.A.

Phone 630.574.3500
 Fax: 630.574.3503

PRINTED IN U.S.A.

GBMAKV*B GBMAHV*B
LIMITED WARRANTY
“CLASSIC” WATER DISPENSER

TERMS AND CONDITIONS - This warranty is “limited” to a dispenser installed in non-restricted locations, such as residences or offices. The labor allowances provided, cover normal installation sites, (not built-in applications). Labor allowances are also limited to normal working hours, and repair schedules.

This limited warranty does not offer coverage for components that are not factory installed, such as dealer installed accessories not originally sold by manufacturer.

If paint or other appearance imperfections are noted at time of installation, the owner must advise the installer or the supplier without delay.

INSTALLATION AND OPERATION - The foregoing Limited Warranty applies only when the dispenser is installed and operated in accordance with the Manufacturer’s written instructions included with each unit. It does not apply to dispensers which on examination by the Manufacturer, or his agent, are found to have been subjected to accident, modifications, abuse, misuse, misapplications, corrosive type atmospheres, or abnormal use.

FIRST YEAR - The Manufacturer warrants the complete water dispenser including compressor, hermetically sealed refrigeration system, water system, faucets, and electrical components to be free from defects in material and workmanship under normal use for (1) year from date of installation or eighteen (18) months from date of shipment from Elkay’s factory, whichever occurs first.

SECOND AND THIRD YEARS - HOT TANK - Covers replacement of tank assembly with labor allowance when defect is not caused by calcium deposits, or other supply water problems not caused by workmanship or material. **PLASTIC WRAPPER** - Limited to the replacement of the wrapper, when defect is due to workmanship or material, excludes labor.

SECOND THROUGH FIFTH YEARS - Coverage is limited to repair of defective component or replacement of complete dispenser at Manufacturer’s option.

REFRIGERATION SYSTEM - Includes repair or replacement of the following listed parts, including a labor allowance: compressor, evaporator, condenser, connecting refrigerant lines, and drier.

WATER SYSTEM- water containing component parts must be permanently attached to a refrigeration component part. Includes labor allowance. Faucets, interconnecting water lines, and other water connections are not covered by this portion of the warranty.

ELECTRICAL SYSTEM - Limited to a replacement of defective components caused by workmanship or material for the following component parts: cold control, hot control/fuse assembly, compressor start relay, compressor overload.

OWNER’S OBLIGATIONS - Owner to provide proof of installation date when repair is required. The owner has the obligation and responsibility to diagnose and/or make minor adjustments and to reimburse the authorized service center or the Manufacturer for any other repair not covered by the terms of this Limited Warranty. The owner also has the obligation and responsibility to return the complete unit to the closest authorized service center or to the factory repair department if the compressor, refrigeration or water system is found to be defective during the warranty period.

MANUFACTURER’S OBLIGATIONS - The manufacturer’s obligation under this Limited Warranty is limited to providing labor and parts to repair or replace any part of the water dispenser which is expressly covered by this Limited Warranty as stated above at one of its authorized service centers or at its factory repair department. The Manufacturer’s obligation also includes costs of outbound freight (but not express freight) of the part or parts from an authorized service center or the factory repair department, but only if the Manufacturer determines that the part or parts, and the purported defect or defects, are covered by this Limited Warranty.

PERSONS ENTITLED TO BENEFIT OF WARRANTY - This Limited Warranty is applicable only to (i) purchasers who purchase the water dispenser for resale in the ordinary course of business, and (ii) the first person who purchases the water dispenser other than for resale.

THIS LIMITED WARRANTY IS IN LIEU OF ALL OTHER EXPRESS WARRANTIES. ALL IMPLIED WARRANTIES, ARISING BY LAW OR OTHERWISE, INCLUDING WITHOUT LIMITATION, THE IMPLIED WARRANTIES OF MERCHANTABILITY AND FITNESS FOR A PARTICULAR PURPOSE, ARE LIMITED TO THE SAME PERIOD OF TIME AS THIS LIMITED WARRANTY. Some states of the United States do not allow limitations on how long an implied warranty lasts, so the above limitation may not apply.

THIS WARRANTY MAY NOT BE ALTERED, VARIED, OR EXTENDED, EXCEPT BY A WRITTEN INSTRUMENT EXECUTED BY THE MANUFACTURER. THE REMEDY OF REPAIR OR REPLACEMENT AS PROVIDED UNDER THIS LIMITED WARRANTY IS EXCLUSIVE. IN NO EVENT SHALL THE MANUFACTURER BE LIABLE FOR ANY CONSEQUENTIAL OR INCIDENTAL DAMAGES TO ANY PERSON, WHETHER OR NOT OCCASIONED BY NEGLIGENCE OF THE MANUFACTURER, INCLUDING WITHOUT LIMITATION DAMAGES FOR LOSS OF USE, COSTS OF SUBSTITUTION, PROPERTY DAMAGE, OR OTHER MONETARY LOSS. Some states of the United States do not allow the exclusion of limitation of incidental or consequential damages, so the above limitation or exclusion may not apply.

This Limited Warranty gives specific legal rights and in some states of the United States there may also be other rights which vary from state to state.

Any questions regarding this Limited Warranty or performance of the Manufacturer’s obligations under this Limited Warranty should be addressed to Elkay Manufacturing Company.

EXCEPT AS OTHERWISE EXPRESSLY PROVIDED ABOVE, THE MANUFACTURER MAKES NO WARRANTIES, EXPRESS OR IMPLIED, ARISING BY LAW OR OTHERWISE, INCLUDING WITHOUT LIMITATION THE IMPLIED WARRANTIES OF MERCHANTABILITY AND FITNESS FOR A PARTICULAR PURPOSE, TO ANY PERSON.

DATE OF INSTALLATION _____

SERIAL NUMBER _____
(To Be Filled In By Installer) Form to be left with the owner by the installer.