

FILTER KIT

HWF152 WATERSENTRY® V KIT (Lead, Sediment, Taste & Odor Reduction)

HWF172 WATERSENTRY® VII KIT (Lead, Cyst, Sediment, Taste & Odor Reduction)

These filter kits are designed to be used with the following Halsey Taylor products:
HAC-Q, HAC-BL-Q, SCWT-A-Q, S-D-Q

NOTICE: Do not use with water that is microbiologically unsafe or of unknown quality without adequate disinfection before or after the system.

General Installation Instructions

- These filter kits must be installed in compliance with all state and local laws and regulations governing the installation and use of this product. Maximum inlet water temperature 100°F (38°C).
- Mount filter head in a suitable location, using the filter mounting bracket and screws supplied. Allow enough room under the filter head for installation and removal of filter cartridge (13" minimum).
- Connect the cold water supply to the filter through a shut-off valve and 3/8" O.D. tubing (supplied by the installer). For ease of servicing, the shut-off valve should be located within easy reach of the filter.
NOTE: The inlet and outlet fitting supplied as part of the filter head are John Guest Superseal fittings that accept 3/8" O.D. tubing on the filter inlet and 1/4" O.D. tubing on the outlet. They may be used with copper, stainless steel, or semirigid nylon or polypropylene tubing, with a rated working pressure equal or greater than encountered in application. Do not use soft or braided tubing.
- CAUTION: If supply pressure will ever exceed 100 psi, install a pressure regulator to limit the inlet pressure to the filter to 100 psi or below. DO NOT ATTACH HOT WATER LINE TO FILTER.**
To make connections on the filter head, loosen locknut. Push the tube end past both o-rings to a positive stop in the filter head recess - approx. 1", locknut may have to be backed out a little more. Screw the locknut hand tight to seal (See Fig. 1). Ends of tubing must be cut square and free of burrs and sharp ends that could cut or nick the o-rings.
- Connect the outlet of the filter to the inlet of the union using the 1/4" O.D. poly tubing and 1/4" union supplied.
- Remove filter from carton, remove protective cap, attach filter to filter head by firmly inserting into head and rotating filter clockwise.
- Follow the applicable instructions below for correct flushing procedure and to complete the installation. the flushing procedure must be followed to purge air and fine carbon particles from the system.
- Read and follow instructions for the installation of the product to be used with the filter kit.

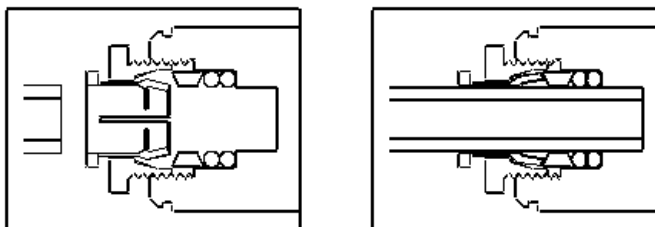


FIG. 1

OPERATION OF QUICK CONNECT FITTINGS

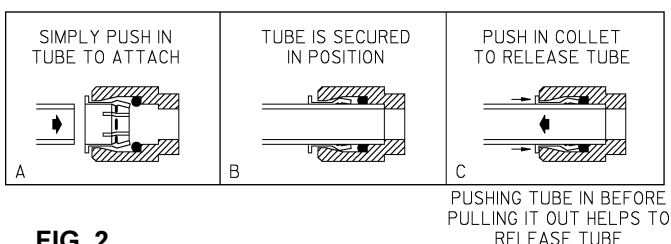


FIG. 2

Filter Replacement

- Turn inlet water valve off.
- Open dispensing valve to relieve pressure build up in the system.
- Remove filter from head by rotating filter counterclockwise.
- Remove new filter from carton. Remove protective cap. Cap may be placed on old filter to reduce the chance of water spilling from filter housing.
- Attach filter to filter head by firmly inserting into head and rotation filter clockwise.

NOTE: The filter head contains an automatic shut-off valve that stops the flow of water. If the filter is removed inadvertently without shutting off the incoming water.

RATED OPERATING CONDITIONS	
Pressure (Min.)	20 PSI (1.5 Kg/cm ²)
Flow Rate	0.75 GPM
Temperature (Min.)	40° F (5° C)

NOTE: Performance will vary depending on local water conditions.

Listed below are filters that will fit into the filter head supplied with this kit. The labels on the filters are color coded as noted. Make certain that the correct filter is being used for application. See Performance Data Sheet supplied with each filter for complete list of claims.

Table A

REPLACEMENT FILTERS			
Filter	Part No.	Color Code	Description
Halsey Taylor® WaterSentry® V	55895C	White	Lead, Sediment, Taste and Odor Reduction Filter
Halsey Taylor® WaterSentry® VII	55897C	White	Lead, Cyst Reduction, C.T.O. Filter

The Halsey Taylor® WaterSentry® VII conforms to ANSI/NSF Standard 42 for reduction of Chlorine - Class I, Particulate - Class I, and Taste and Odor; ANSI/NSF 53 for reduction of Lead and Cyst.

NOTE: If the flow exceeds the rated flow rate, install a flow restrictor, Part No. 50967C, to limit the flow to .5 gpm.

ITEMIZED PARTS LIST		
Item No.	Part No.	Description
1	22490C	Bracket - Filter Mounting
2	38417002	Screw #8-18 x .50 (13mm) LG. HHSM
3	51469C	Filter Head & Bracket Assembly
4	70792C	Screw #8-18 x .75 (19mm) LG. PH
5	50801C	Tubing - Poly 1/4" (6mm) x 24" LG.
6	70823C	Fitting - Superseal 3/8" (10mm)
7	70822C	Fitting - Superseal 1/4" (6mm)
8	See Table A	Filter Assembly
9	70683C	Union - 1/4" (6mm)
10	70819C	Elbow Adapter 1/4" x 3/8"

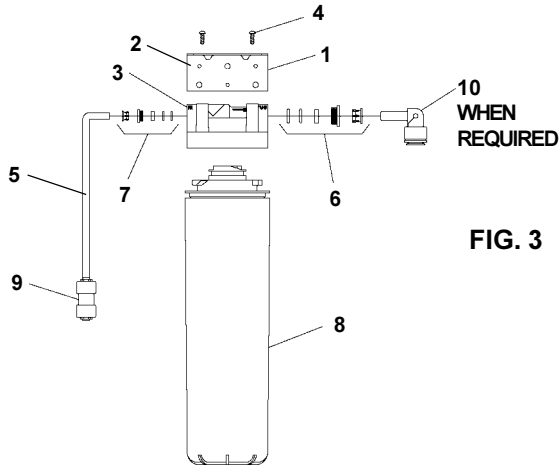
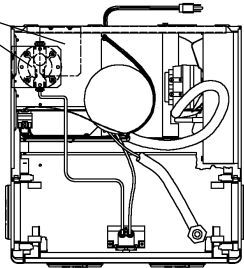


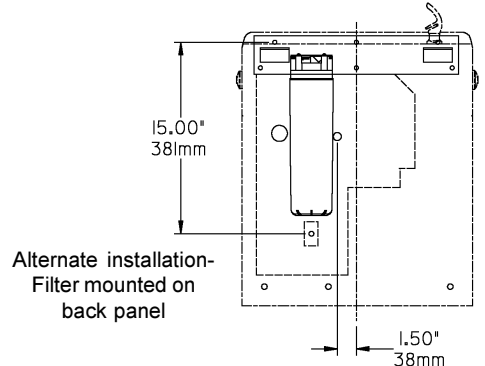
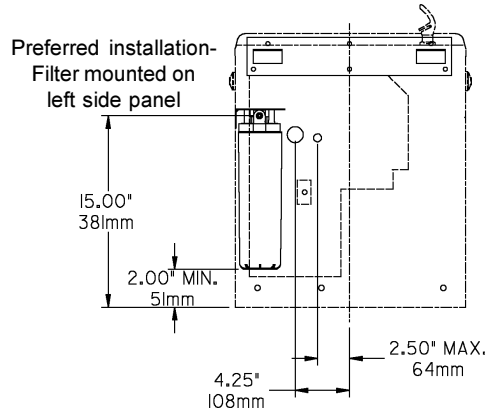
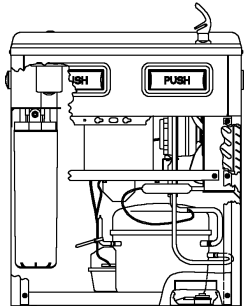
FIG. 3

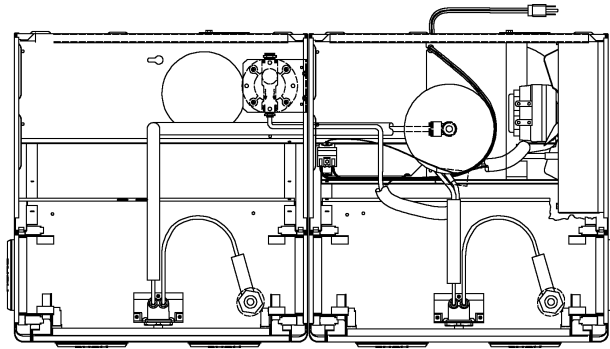
* Item No(s). 1, 4, 6, and 7 included with Item No. 3.

FILTER LOCATION
SEE ROUGH-IN
USE DOUBLE BACK TAPE
(2) STRIPS PROVIDED

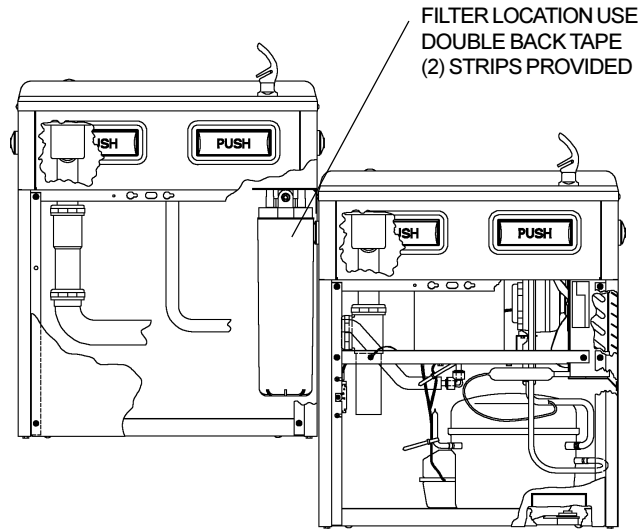


HAC-Q



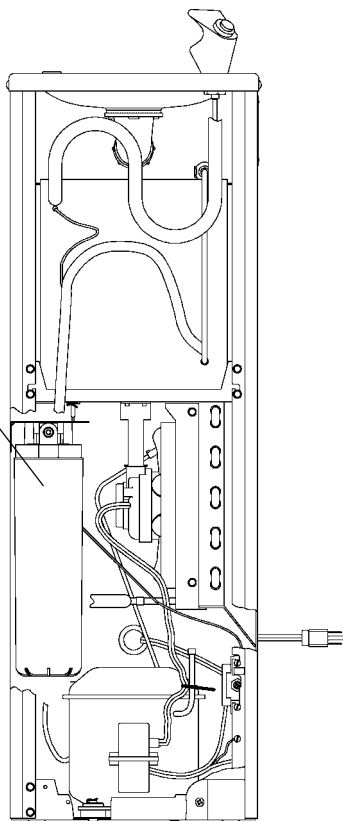


HAC-BL-Q



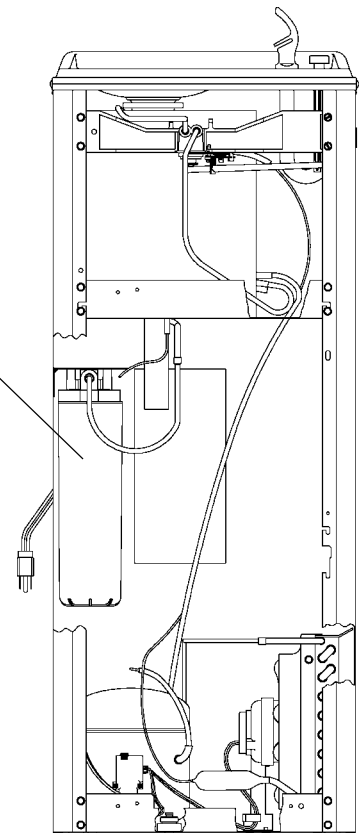
S-D-Q

FILTER LOCATION USE
DOUBLE BACK TAPE
(2) STRIPS PROVIDED



SCWT-A-Q

FILTER LOCATION USE
DOUBLE BACK TAPE
(2) STRIPS PROVIDED
TO ATTACH TO SIDE PANEL
OR ATTACH TO SHELF WITH
SCREWS (DO NOT USE
BRACKET IN THIS APPLICATION)



NOTICE

To receive maximum benefit from your Halsey Taylor® WaterSentry® filters, note the installation dates below, and change according to the following guidelines.

Halsey Taylor® WaterSentry® V -- Lead Reduction Filter

Change every 2,500 gallons, or once a year -- whichever occurs first.

Halsey Taylor® WaterSentry® VII -- Lead/Cyst Reduction Filter

Change every 1,500 gallons, or once a year -- whichever occurs first.

-- KEEP THIS SHEET IN A HANDY LOCATION --

DATE INSTALLED	MODEL (TYPE OF FILTER)	SERVICE PERSON	DATE INSTALLED	MODEL (TYPE OF FILTER)	SERVICE PERSON

ELKAY MFG. CO.
2222 CAMDEN COURT
OAK BROOK, IL 60523
630.574.3500