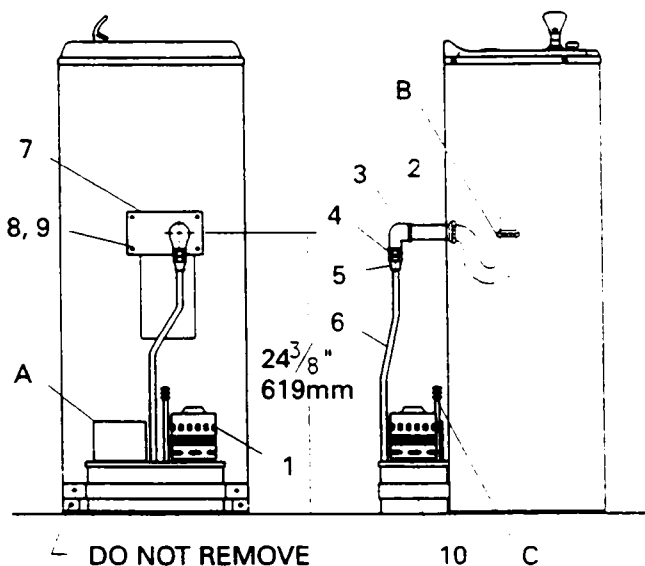


SUMP PUMP KITS

INSTALLATION INSTRUCTIONS FOR SCWT SUMP PUMP KIT

NOTE: To simplify drain hook-up, use a standard (1-1/4 O.D. X 1-1/4 slip joint). Trap is not provided with kit.

1. Assemble Trap, 1-1/4 X 1/2 elbow, and 1/2 MP X 1/2 flare coupling. Use thread seal on all connections. Slip the trap through the hole on the trap mounting bracket.
2. Remove slip nut and gasket from trap and attach to the drain tube of the cooler.
3. Attach the trap to the drain tube of the cooler - Do not attach slip nut at this time.
4. Make sure the trap is fully engaged on the drain tube of the cooler.
5. Align mounting bracket on the outside of the large opening in the back panel of the cooler so that the mounting plate overlaps cutout.
6. Push mounting plate upwards so that the bottom side of the hole is tight against the pipe. Mark the back panel using the mounting plate as a template.
7. Drill (4) 5/16 diameter holes in back panel.
8. Attach mounting plate to back panel using (4) 1/4-20 X 3/4 bolts and (4) 1/4-20 nuts provided in kit.
9. Remove the two bottom screws from the back panel of cooler. (Note: Do not remove screws from base.)
10. Align the sump pump against the back panel of cooler and secure with mounting strap and two screws removed in step 9. Do not over tighten.
11. Bend and cut the 1/2" copper tube to suit. The plain end of the tube goes to the hole in the top of the sump pump tank, the other end connects to the drain line with the 1/2" flare nut.
12. Tighten slip nut on drain line and trap.
13. Connect outlet tube from tank at the check valve. Refer to owners manual provided with sump pump.
14. Connect electrical source - refer to owners manual provided with sump pump.

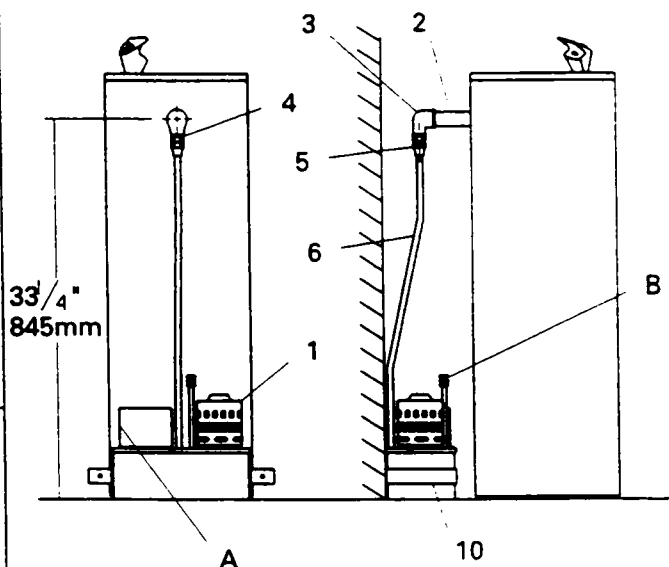


- A. Electrical Hook-up. Refer to owners manual.
 B. 1-1/4" Trap (furnished by others).
 C. 3/8 outlet. Refer to owners manual.

SCWT SERIES

INSTALLATION INSTRUCTIONS FOR "S" SERIES SUMP PUMP KIT

1. The following parts are not required for this installation:
 Trap Mounting Plate 401520443730
 1/4-20 X 3/4 RND HD 110104542550
 Nut, Hex 1/4-20 110041643890
2. Assemble 1-1/4 X 3" nipple, 1-1/4 X 1/2" elbow, and 1/2" MP X 1/2" flare coupling to the 1-1/4" threaded waste outlet on cooler. Use thread seal on all joints.
3. Secure sump pump to wall directly behind cooler with mounting strap and (2) screws. (Not Provided).
4. Bend and cut the 1/2" copper tubing to suit. The plain end of the tube goes to the hole in the top of the sump pump tank. The other end connects to the drain line of cooler with 1/2" flare nut.
5. Connect outlet tube from tank at the check valve. Refer to owners manual provided with sump pump.
6. connect electrical source - refer to owners manual provided with sump pump.



- A. Electrical Hook-up. Refer to owners manual.
 B. 3/8 outlet. Refer to owners manual.

"S" SERIES

ITEMIZED PARTS LIST

ITEM NO.	PART NO.	DESCRIPTION
1	101520251550	Sump Pump CU-55-1UL
2	161520343730	Nipple 1-1/4 X 3
3	160697943730	Elbow Reducing 1-1/4 X 1
4	160698008550	1/2 X 1/2 Coupling
5	160079408550	Flare Nut 1/2"
6	401521516550	.50 X .031 X 40 Cu Tube
7	401520443730	Trap Mtg. Plate
8	110104542550	1/4-20 X 3/4 RND HD
9	110041643890	Nut, Hex 1/4-20
10	401520543730	Mtg. Strap Sump Pump

Halsey Taylor®

2222 Camden Court
 OAK BROOK, IL 60521
 630.574.3500