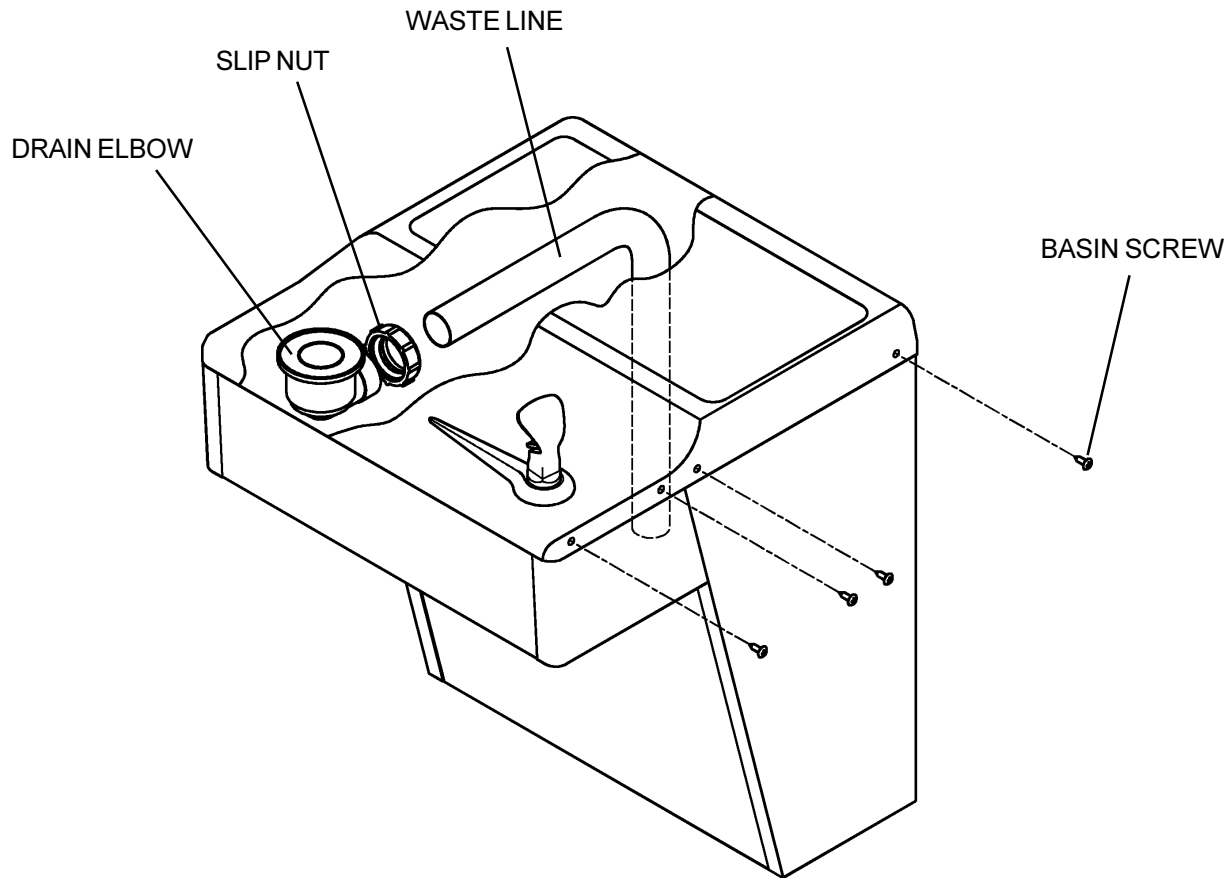


ADAPTADRAIN HAC UNIVERSAL WASTE LINE INSTALLATION INSTRUCTIONS



1. Using a tubing cutter, trim ends of waste line to fit.
2. To install the universal waste line, remove the eight basin screws and carefully move the basin out of the way to access the existing waste line.

**CARE MUST BE TAKEN WHEN MOVING THE BASIN,
DAMAGE TO THE BUBBLER TUBE CAN OCCUR**

3. Remove the slip nut from the drain elbow by rotating it counterclockwise. This will allow you to slide the waste line out of the drain elbow.
4. Place the slip nut over the shorter end of the new universal waste line and insert this end into the drain elbow. Tighten the slip nut by threading it onto the drain elbow in a clockwise direction.
5. Set the basin back into position and secure it with the eight basin screws which were removed in step #1.