

Halsey Taylor Instruction Manual

Glass Filler Plumbing Kit

Models: 96730C (Without Glass Filler) / 97556C (With Glass Filler)
SW/WM/SCWT MODEL COOLERS

WARNING

To avoid the risk of electrical shock, personal injury, or death, disconnect power and water supplies before installing this plumbing kit.

CAUTION

To avoid property damage, personal injury, and voiding your warranty:

- * have an authorized person install your plumbing kit
- * make sure you read, understand, and follow the attached instructions
- * wear protection to protect yourself from sharp edges
- * wear safety goggles to protect your eyes from water under pressure and other projectiles

PARTS LIST

Refer to the parts list to make sure you received all plumbing kit parts. If any parts are missing, contact your Halsey Taylor dealer.

PARTS LIST		
ITEM NO.	PART NO.	DESCRIPTION
1	100322740560	GASKET-BLACK (QTY OF 4)
2	50090C	INSULATION-ARMAFLEX
3	60119C	TUBE-CU 1/4 X 5.00"
4	66351C	GLASS FILLER TUBE ASSY
5	66353C	BUBBLER TUBE ASSY
6	70682C	FITTING-TEE 1/4
7	70683C	FITTING-UNION 1/4
8	70745C	FITTING-UNION 3/8 TO 1/4 REDUCING
9	75630C	PUSH LEVER GLASS FILLER (Model 97556C Only)

REQUIRED TOOLS

You will need the following tools to install your plumbing kit:

- flat blade screwdriver
- adjustable wrench
- tubing cutter
- phillips screwdriver
- 5/16" nut driver or socket

INSTALLING GLASS FILLER PLUMBING

The plumbing in your water cooler should look like the illustrations shown at the top of page 3 or page 4. Use the following instructions to install the glass filler in your specific cooler.

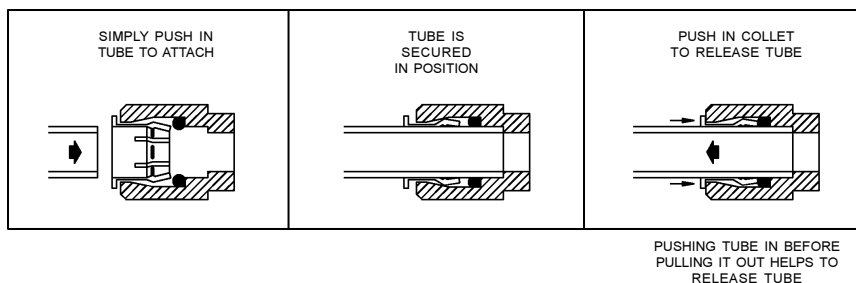
IMPORTANT NOTE: INLET SIDE OF REGULATOR HOLDER WAS CHANGED IN EARLY 1997. MAKE NOTE OF THIS LOCATION ON YOUR UNIT BEFORE CUTTING ANY TUBES! AFTER THE INLET IS LOCATED, READ OVER AND USE THE FOLLOWING DIAGRAMS AS A REFERENCE TO FAMILIARIZE YOURSELF WITH THE TUBES THAT ARE TO BE CUT AND WHERE THEY ARE TO BE CUT. MAKE SURE THAT POWER AND WATER SUPPLIES ARE OFF BEFORE DOING ANY WORK ON UNIT.

1. Disconnect power supply and shut off water supply. Depress cooler push button to relieve any residual water pressure.
2. Remove front panel.
3. Remove bubbler, strainer plate, and drain plug. Remove basin.
4. Disconnect pre-cooler supply line at inlet of regulator holder and cut approximately 2" from the end. Deburr the cut end.

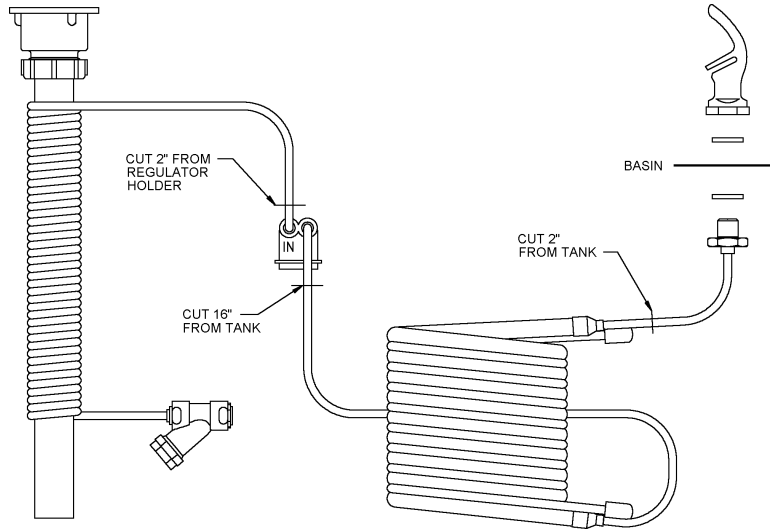
NOTE: Use armaflex insulation that is supplied to cover all water lines to minimize condensation.

5. Cut regulator to evaporator line as specified for your specific model. Deburr the cut end and connect it to the pre-cooler tube using a 1/4" union (item 7).
6. Cut evaporator outlet line as specified for your specific model. Deburr the cut end and connect it to item 7 if line is 1/4" diameter - connect it to item 8 if it is 3/8" diameter.
7. Push the supplied 5" tube (item 3) into the other side of the union and connect it to the tee (item 6).
8. Use the tube left over from step 5 and connect the tee with the regulator inlet.
9. Connect the regulator outlet to the bubbler with the bubbler tube assy (item 5).
10. Connect the glass filler with the tee by using the glass filler tube assy (item 4). Form tubing as required to make glass filler connection at right rear of basin.
11. Remove plug button on right rear of basin.
12. Install basin by aligning bubbler and glass filler nipples with the holes in the basin. Care should be taken not to kink tubing.
13. Install bubbler and glass filler using new gaskets as shown. **Do not re-use old gaskets!**
14. Verify that all connections and water tube routings are as shown.
15. Turn on water supply and check all connections for leaks. Repair any that are found.
16. Re-connect power supply and install front panel.

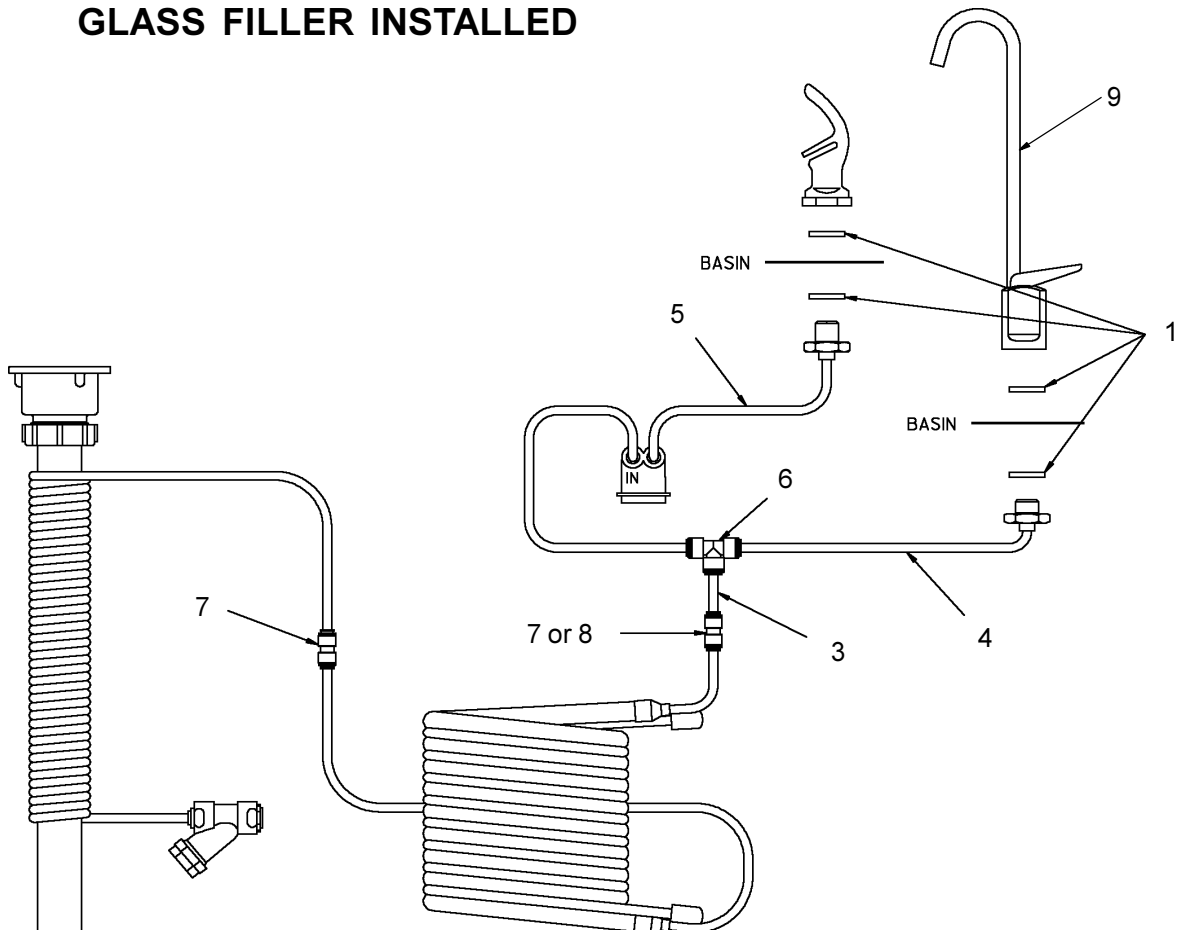
OPERATION OF QUICK CONNECT FITTINGS



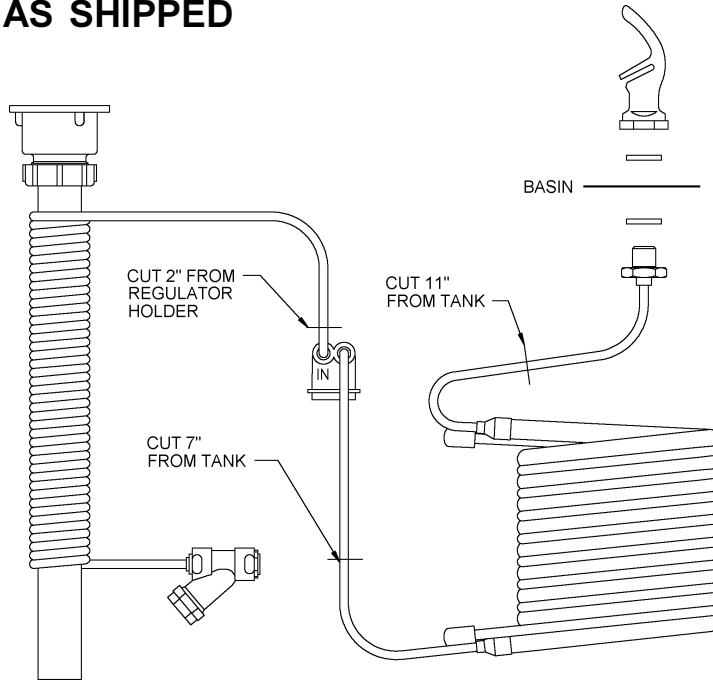
SCWT MODELS AS SHIPPED



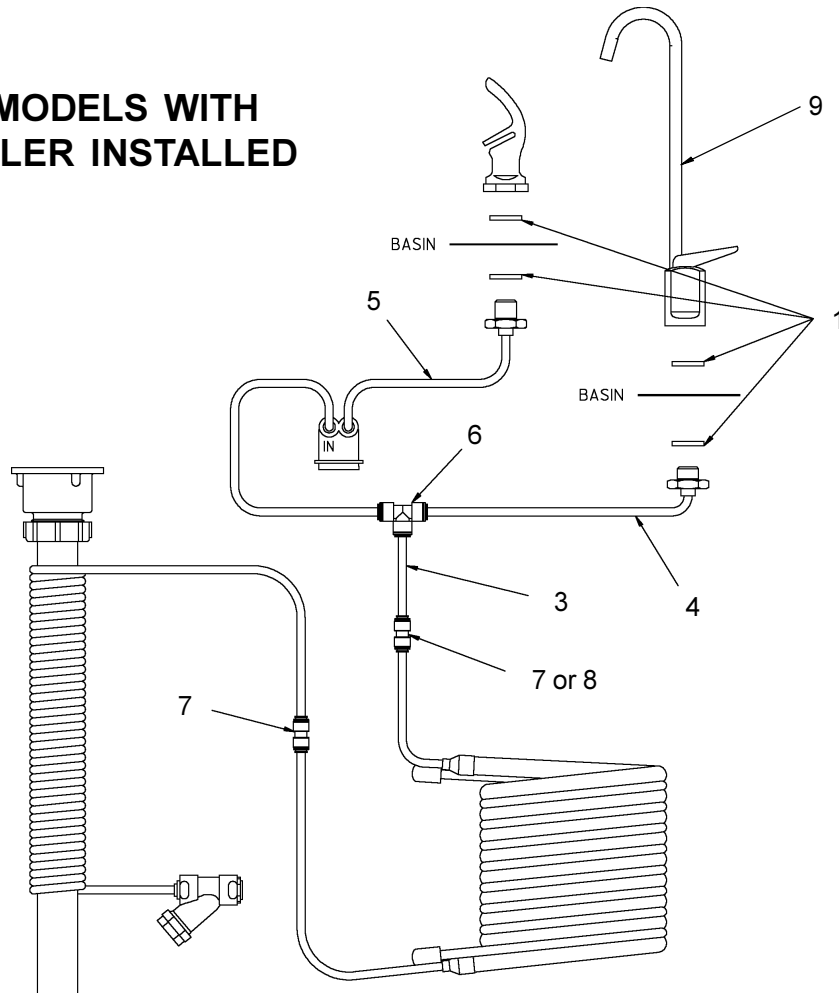
SCWT MODELS WITH GLASS FILLER INSTALLED



SW/WM MODELS AS SHIPPED



SW/WM MODELS WITH GLASS FILLER INSTALLED



Halsey Taylor

2222 CAMDEN COURT
OAK BROOK, IL 60521
630.574.3500

PRINTED IN U.S.A.

FOR PARTS, CONTACT YOUR LOCAL DISTRIBUTOR OR CALL 1.800.323.0620