

Glass Filler Plumbing Kit

Part Number 96852CA

This plumbing kit is designed to be used with Halsey Taylor HTV, HAC, S-Series, SCWT, SW and WM Models manufactured after December 1998.

Warning

To avoid risk of electrical shock, personal injury or death, disconnect from electrical power supply and shutoff water supply before installing this plumbing kit.

Caution

To avoid property damage, personal injury and voiding your warranty:

- Have this kit installed by an authorized person. (Installation person should be familiar with water cooler plumbing, refrigeration systems and general plumbing practices.)
- Install this kit into one of the Halsey Taylor models listed above.
- Make sure you read, understand and follow the instructions.
- Wear hand and arm protection. Use caution when working inside the water cooler. Edges inside the water cooler can be sharp.
- Wear eye safety goggles.

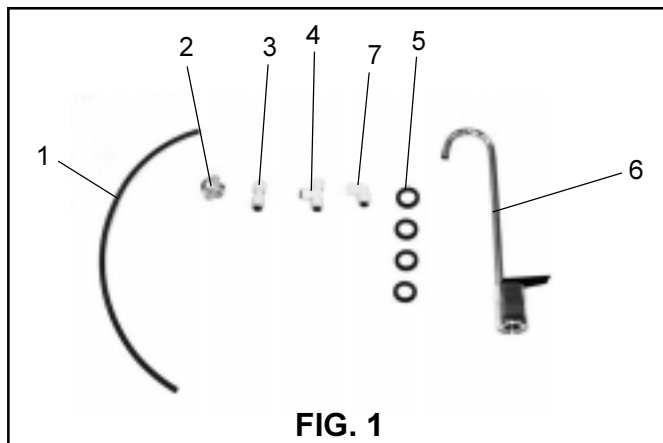
Required Tools

To install this kit the following tools are required:

- Phillips Screwdriver
- Needle Nose Pliers
- 1/4" and 5/16" Nut or Socket Driver
- Tubing Cutter (Mini)
- 11/16" (.687") diameter hole punch or drill bit.
- Large adjustable wrench.

Parts List

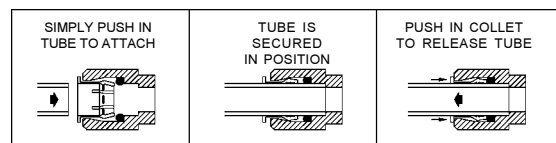
Refer to the illustration to make sure you receive all plumbing kit parts. If any parts are missing contact your Halsey Taylor distributor. Depending on model, not all parts are required.



ITEM NO.	PART NO.	DESCRIPTION
1	56092C	Poly-Tubing (Cut to Length)
2	15009C	Glass Filler Nipple
3	70683C	Connector 1/4" Tubing
4	70682C	Tee 1/4" Tubing
5	100322740560	Gasket (4 Supplied with kit)
6	75630C	Glass Filler
7	70817C	Elbow 1/4 Tubing

Operation of Quick Connect Water Fittings:

Cooler is provided with lead-free connectors which utilize an "O"-ring water seal. To remove tubing from the fitting, relieve water pressure, push in on the darker gray collar before pulling on the tubing. To insert tubing, push tube straight into fitting until it reaches a positive stop, approximately 3/4" (19mm). Deburr cut tube ends before inserting into the Quick Connect Fitting. Burrs on the tube end will cut the internal "O"-Ring and will allow the fitting to leak.



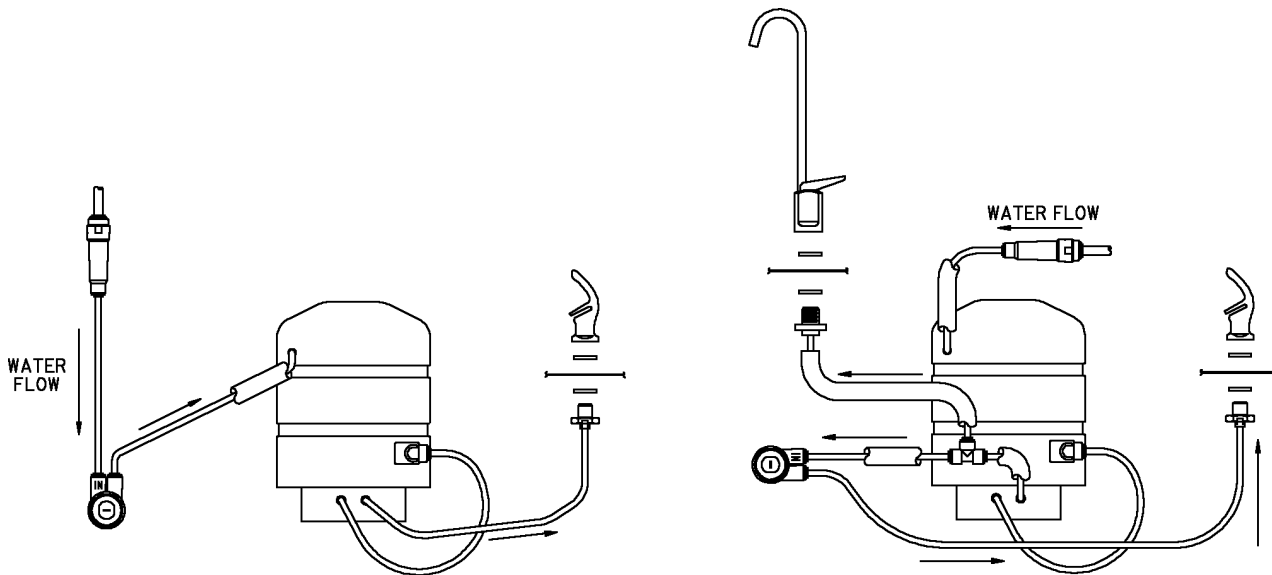
PUSHING TUBE IN BEFORE PULLING IT OUT HELPS TO RELEASE TUBE



HAC Model

Overview

The following illustration shows the tube routing before and after the installation of the Glass Filler Kit.



Before (Non-Pressurized Tank)

After (Pressurized Tank)

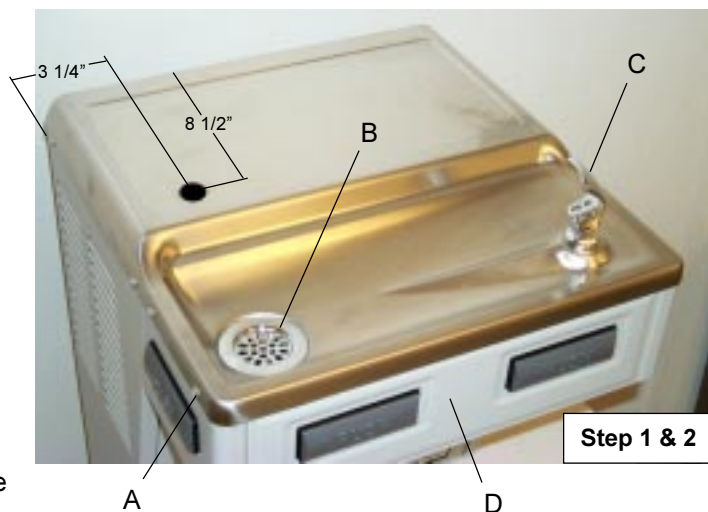
The water storage tank must be converted to a pressurized tank for the glass filler to operate properly. The tank is non-pressurized in a standard unit. The following steps detail how the water flow tubing is re-routed to create a pressurized tank and provide a supply line to the glass filler.

Note: Item numbers in the following steps refer to items in Parts List on page 1.

STEP 1

Remove Cooler Basin

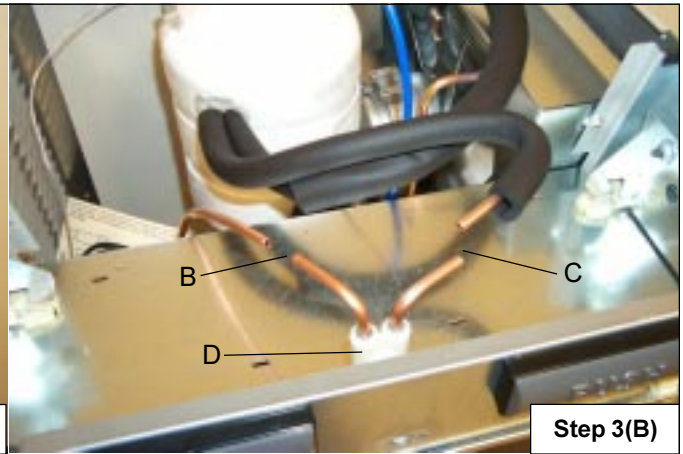
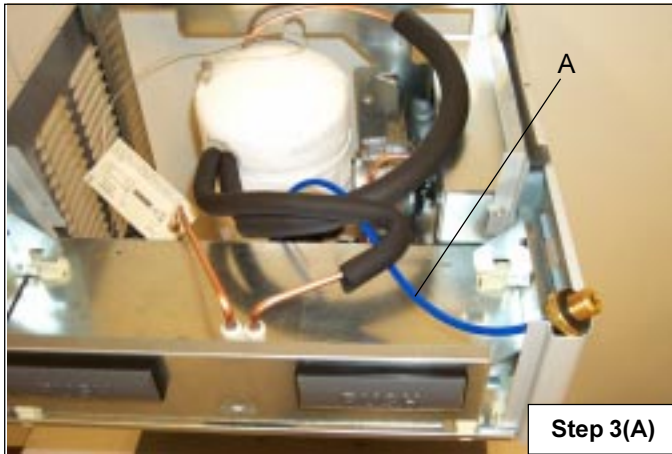
- Remove lower front panel.
 - Disconnect cooler from electrical supply.
 - Turn off water supply to unit.
 - Remove basin screws (A) (4 each side, 8 total).
 - If cooler is installed remove strainer and drain plug (B) or disconnect unit from trap.
- Remove bubbler (C).
 - Remove upper front panel (D) to hold bubbler fitting from turning.
- Remove cooler basin.



Step 1 & 2

STEP 2

- Drill or punch an 11/16" (.687") diameter hole in the cooler basin per dimensions shown



STEP 3

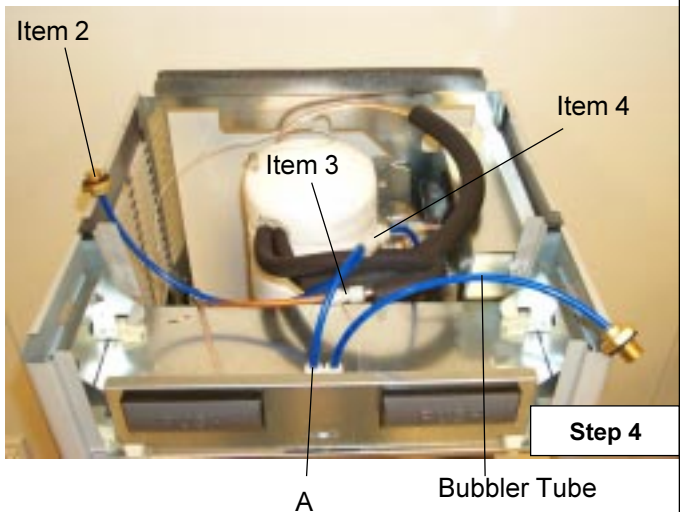
Cut and Remove Internal Plumbing

- Remove tank to bubbler tube (A).
 - Disconnect bubbler tube at chilled tank water outlet.
 - Save the tube and bubbler fitting. These will be used in step 4.
- Cut supply tubes at locations (B) and (C).
- Remove and discard bent tubes from water regulator (D).
 - Refer to details “Operation of Quick Connect Fittings” for removing tubes.

STEP 4

Reconnect Internal Plumbing

- Connect water inlet line to chiller inlet.
 - Using (Item 3) reconnect tubes cut at (B) and (C) in step 3.
- Connect chiller outlet to tee.
 - Cut a 12 inch long piece of (Item 1). Install into the chiller water outlet. Connect end to tee (Item 4).
- Connect tee to regulator and glass filler supply tube.
 - Cut a 6 inch long piece of (Item 1).
 - Connect one end of tube to tee (Item 4) and other end to water regulator inlet (A).
 - Cut a 12 inch long piece of (Item 1).
 - Connect to tee (Item 4) and to Glass Filler Nipple (Item 2)
- Connect bubbler tube to regulator.
 - Use tank to bubbler tube, removed in Step 3, cut length of tube to 10 inches and connect to regulator outlet.



STEP 5

Reassemble Unit

- Connect Bubbler and Glass Filler.
 - Using one gasket below the basin and one gasket above the basin assemble the bubbler and glass filler (Item 6) to the basin.
- Reassemble the unit and leak check.
 - Assemble basin to the unit. Reattach with screws removed in Step 1.
 - Reassemble drain components.
 - Turn on water supply. Run water through bubbler and glass filler. Check all connections for water leaks.
 - Reconnect electrical supply.
 - Replace panels.

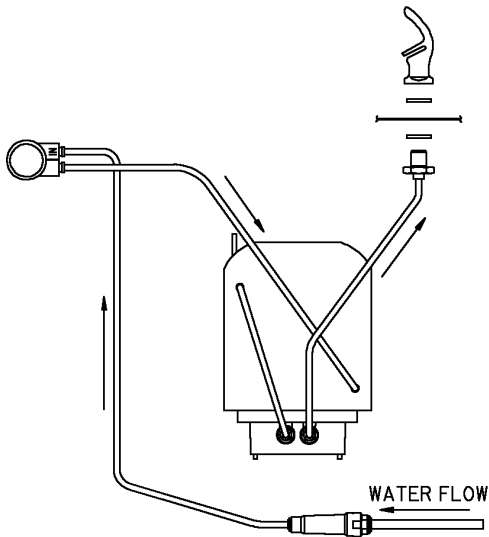




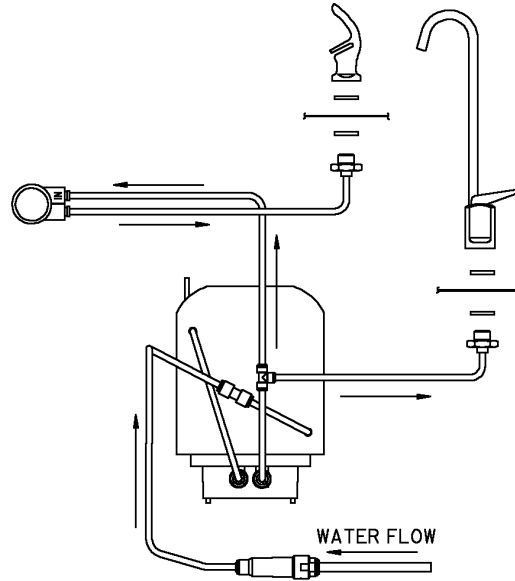
SCWT Model

Overview

The following illustration shows the tube routing before and after the installation of the Glass Filler Kit.



Before (Non-Pressurized Tank)



After (Pressurized Tank)

The water storage tank must be converted to a pressurized tank for the glass filler to operate properly. The tank is non-pressurized in a standard unit. The following steps detail how the water flow tubing is re-routed to create a pressurized tank and provide a supply line to the glass filler.

Note: Item numbers in the following steps refer to items in Parts List on page 1.

STEP 1

Remove Cooler Front Panel

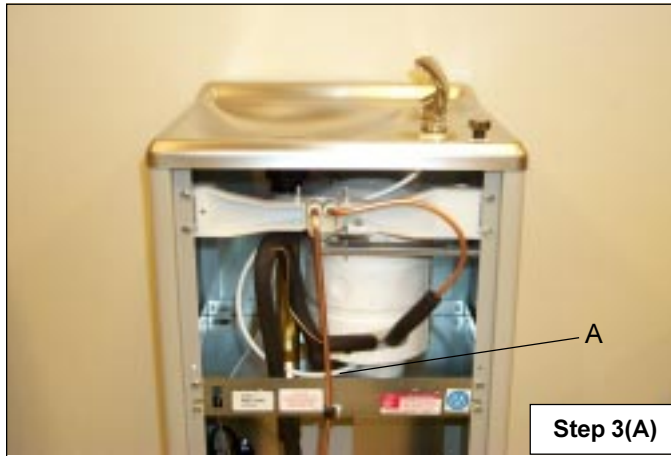
- Remove front panel.
 - Remove screws on kick plate and front panel (A).
 - Remove front panel.
 - Disconnect cooler from electrical supply.
 - Turn off water supply to unit.
 - Remove bubbler (B).
 - Remove pushbutton (C).
 - If cooler is installed, remove strainer and drain plug (D) or disconnect unit from trap.
 - Remove 4 screws and take off basin.

STEP 2

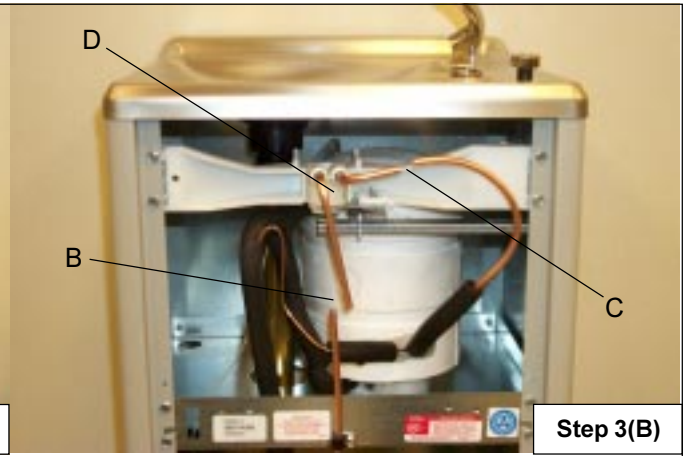
- Drill or punch an 11/16" (.687") diameter hole in the center of the raised circular pad at the right rear corner of the basin.



Step 1 & 2



Step 3(A)



Step 3(B)

STEP 3

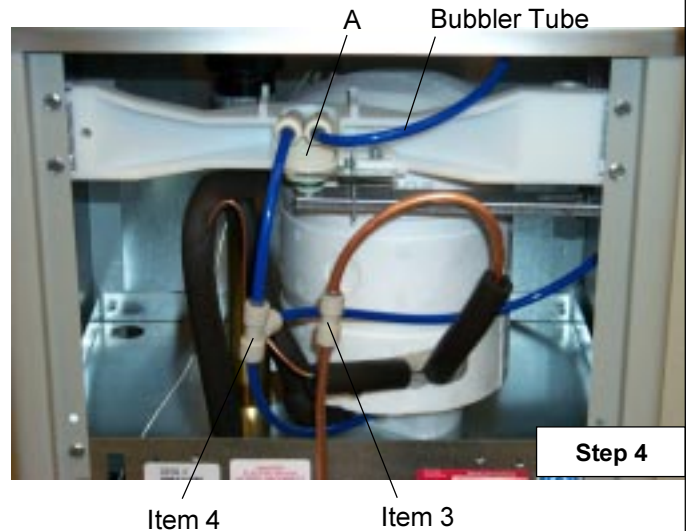
Cut and Remove Internal Plumbing

- Remove tank to bubbler tube (A).
 - Disconnect bubbler tube at chilled tank water outlet.
- Cut supply tubes at locations (B) and (C).
- Remove and discard bent tubes from water regulator (D).
 - Refer to details "Operation of Quick Connect Fittings" for removing tubes.

STEP 4

Reconnect Internal Plumbing

- Connect water inlet line to chiller inlet.
 - Using (Item 3) reconnect tubes cut at (B) and (C) in step 3.
- Connect chiller outlet to tee.
 - Cut a 8 inch long piece of (Item 1). Install into the chiller water outlet. Connect end to tee (Item 4).
- Connect tee to regulator and glass filler supply tube.
 - Cut a 6 inch long piece of (Item 1).
 - Connect one end of tube to tee (Item 4) and other end to water regulator inlet (A).
 - Cut a 12 inch long piece of (Item 1).
 - Connect to tee (Item 4) and to Glass Filler Nipple (Item 2), not shown.
- Connect bubbler tube to regulator.
 - Use tank to bubbler tube, removed in Step 3, cut length of tube to 10 inches and connect to regulator outlet.



Step 4

STEP 5

Reassemble Unit

- Connect Bubbler and Glass Filler.
 - Using one gasket below the basin and one gasket above the basin assemble the bubbler and glass filler (Item 6) to the basin.
- Reassemble the unit and leak check.
 - Turn on water supply. Run water through bubbler and glass filler. Check all connections for water leaks.
 - Reconnect electrical supply.
 - Replace front panel.



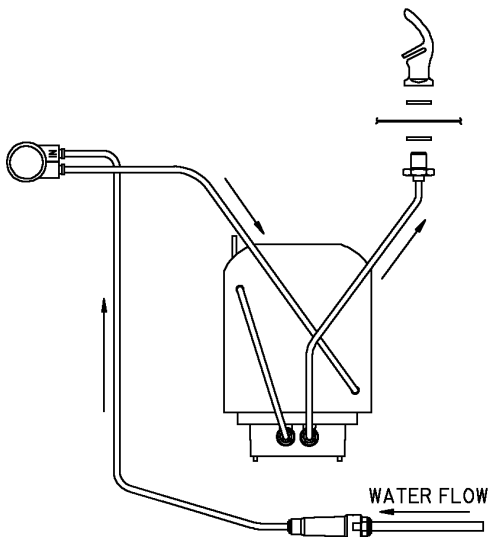
Step 5



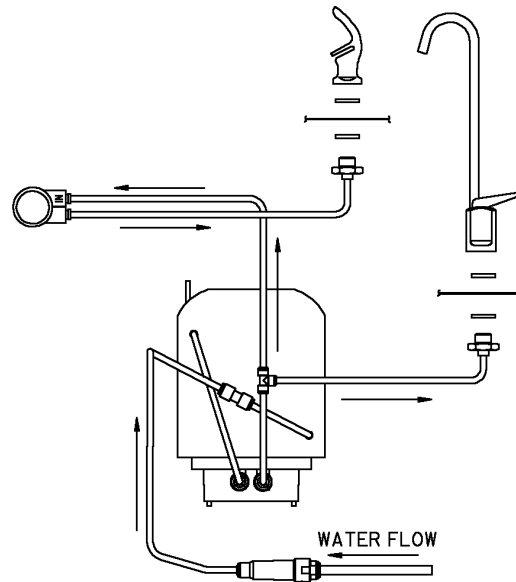
SW/WM Model

Overview

The following illustration shows the tube routing before and after the installation of the Glass Filler Kit.



Before (Non-Pressurized Tank)



After (Pressurized Tank)

The water storage tank must be converted to a pressurized tank for the glass filler to operate properly. The tank is non-pressurized in a standard unit. The following steps detail how the water flow tubing is re-routed to create a pressurized tank and provide a supply line to the glass filler.

Note: Item numbers in the following steps refer to items in Parts List on page 1.

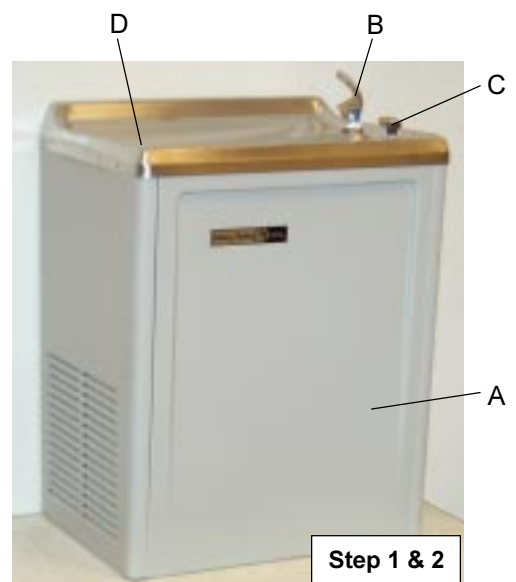
STEP 1

Remove Cooler Front Panel

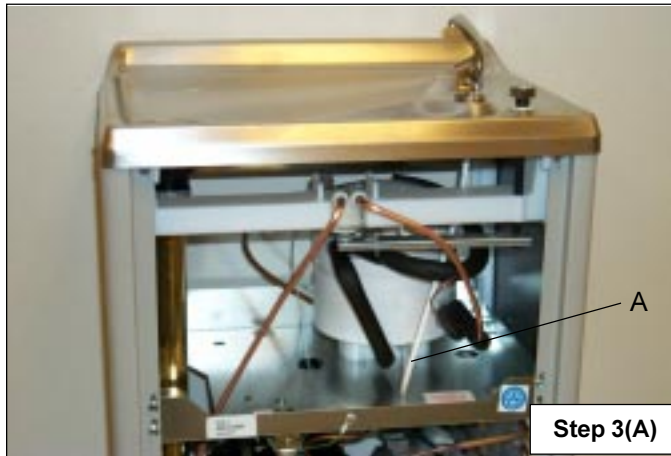
- Remove front panel.
 - Remove screws on under side of front panel. (A)
 - Remove front panel.
 - Disconnect cooler from electrical supply.
 - Turn off water supply to unit.
 - Remove bubbler. (B)
 - Remove pushbutton. (C)
 - If cooler is installed, remove strainer and drain plug (D) or disconnect unit from trap.
 - Remove 4 screws and take off basin.

STEP 2

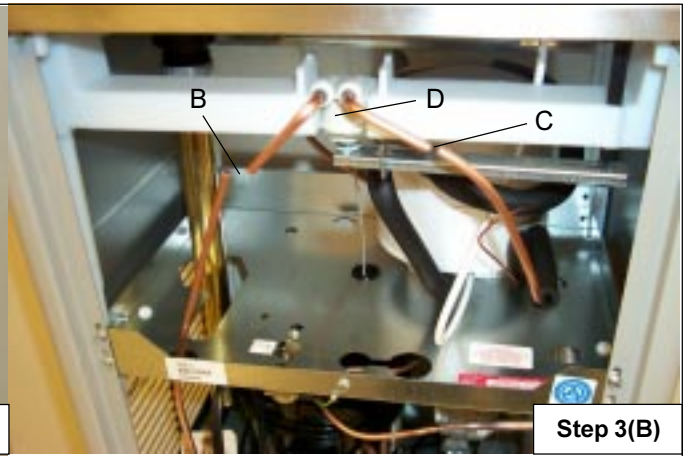
- Drill or punch an 11/16" (.687") diameter hole in the center of the raised circular pad at the right rear corner of the basin.



Step 1 & 2



Step 3(A)



Step 3(B)

STEP 3

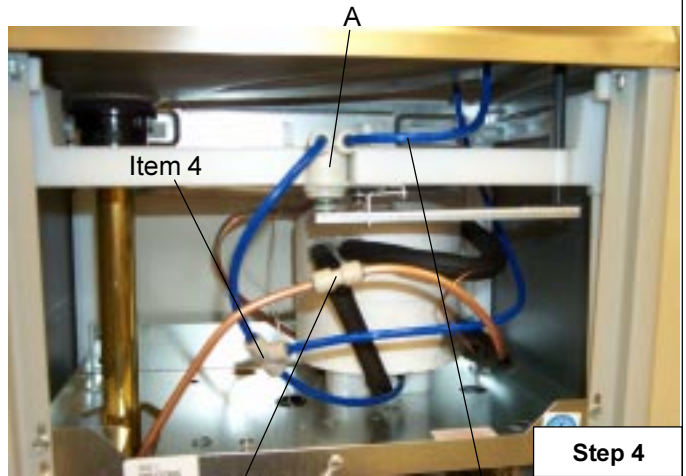
Cut and Remove Internal Plumbing

- Remove tank to bubbler tube (A).
 - Disconnect bubbler tube at chilled tank water outlet.
- Cut supply tubes at locations (B) and (C).
- Remove and discard bent tubes from water regulator (D).
 - Refer to details “Operation of Quick Connect Fittings” for removing tubes.

STEP 4

Reconnect Internal Plumbing

- Connect water inlet line to chiller inlet.
 - Using (Item 3) reconnect tubes cut at (B) and (C) in step 3.
- Connect chiller outlet to tee.
 - Cut a 8 inch long piece of (Item 1). Install into the chiller water outlet. Connect end to tee (Item 4).
- Connect tee to regulator and glass filler supply tube.
 - Cut a 12 inch long piece of (Item 1).
 - Connect one end of tube to tee (Item 4) and other end to water regulator inlet (A).
 - Cut a 12 inch long piece of (Item 1).
 - Connect to tee (Item 4) and to Glass Filler Nipple (Item 2), not shown.
- Connect bubbler tube to regulator
 - Use tank to bubbler tube, removed in Step 3, cut length of tube to 10 inches and connect to regulator outlet.



Step 4

STEP 5

Reassemble Unit

- Connect Bubbler and Glass Filler.
 - Using one gasket below the basin and one gasket above the basin assemble the bubbler and glass filler (Item 6) to the basin.
- Reassemble the unit and leak check.
 - Turn on water supply. Run water through bubbler and glass filler. Check all connections for water leaks.
 - Reconnect electrical supply.
 - Replace front panel.



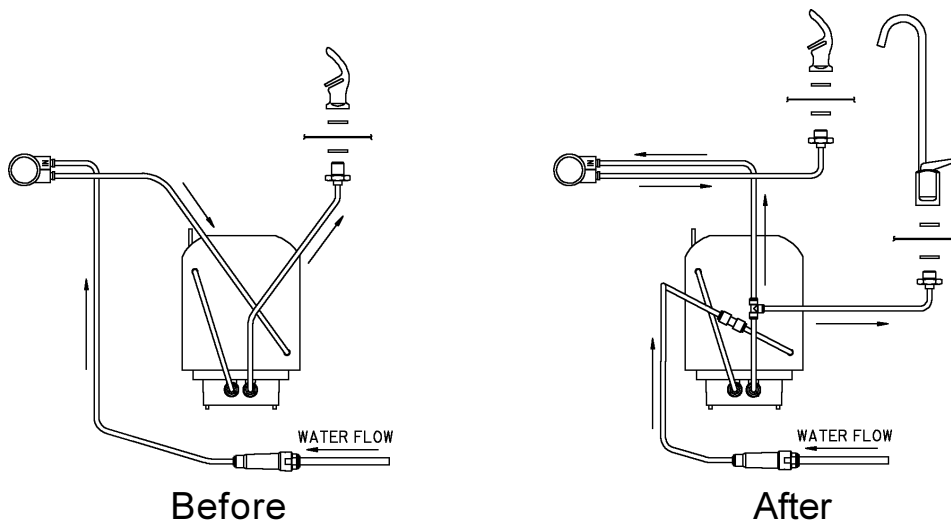
Step 5



S-Series Model

Overview

This illustration shows the tube routing before and after the installation of the Glass Filler Kit.



The water storage tank must be converted to a pressurized tank for the glass filler to operate properly. The tank is non-pressurized in a standard unit. The following steps detail how the water flow tubing is re-routed to create a pressurized tank and provide a supply line to the glass filler.

Note: Item numbers in the following steps refer to items in Parts List on page 1.

STEP 1

- Remove front panel.
 - Disconnect cooler from electrical supply.
 - Turn off water supply to unit.

STEP 2

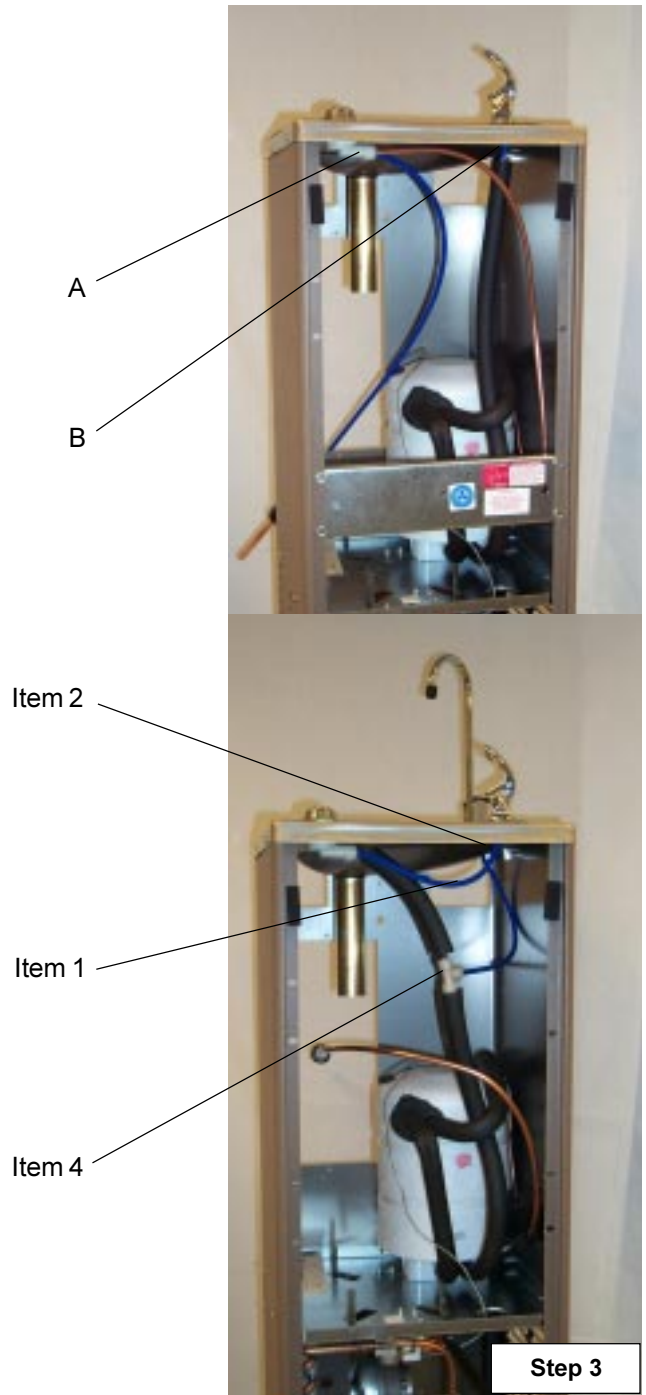
- Drill or punch an $11/16"$ (.687") diameter hole in the location shown at the right rear corner of the basin. If basin needs to be removed, disconnect tube from bubbler, refer to detail on page 1 of operation of quick connect fittings. Remove pushbutton/regulator assy. (A) by removing chrome cover nut and pushbutton cap then large chrome hex nut. If cooler is installed, remove trap from drain tube. Remove 4 screws (B) and take off basin.



STEP 3

Cut and Re-Route Internal Plumbing

- Remove both tubes from regulator. (A)
- Remove tank to bubbler tube (B) at the bubbler.
- Cut this tube 6" from the free end and insert this 6" piece in the regulator inlet port.
- Connect this 6" piece of tube to the remaining part of the tube using the tee (Item 4).
- Connect the branch of the tee to the glass filler nipple (Item 2)
- Connect water inlet strainer to the copper tube connected to the chiller inlet. This is now the water inlet line.
- Connect bubbler to regulator using a piece of polytube (Item 1).



STEP 4

Reassemble Unit

- Connect Glass Filler.
 - Using one gasket below the basin and one gasket above the basin assemble the bubbler and glass filler (Item 6) to the basin.
- Reassemble the unit and leak check.
 - Turn on water supply. Run water through bubbler and glass filler. Check all connections for water leaks.
 - Reconnect electrical supply.
 - Replace front panel.

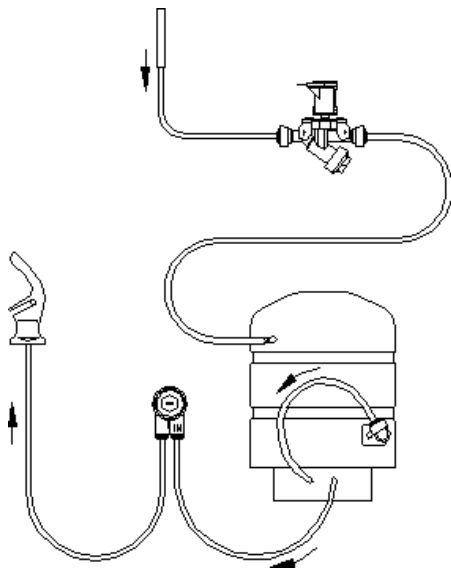
Step 4



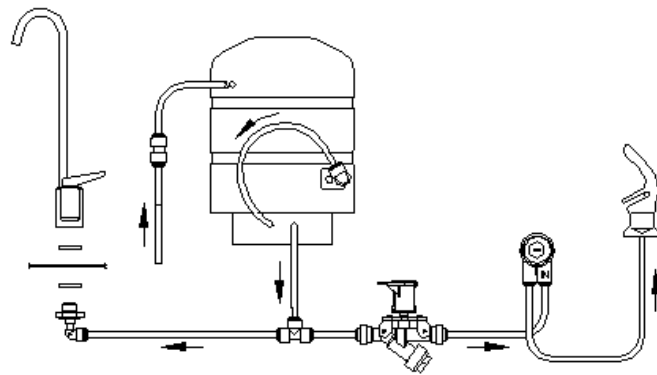
HTV Model

Overview

The following illustration shows the tube routing before and after the installation of the Glass Filler Kit.



Before (Non-Pressurized Tank)



After (Pressurized Tank)

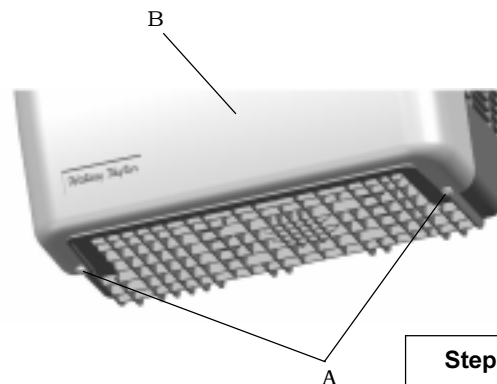
The water storage tank must be converted to a pressurized tank for the glass filler to operate properly. The tank is non-pressurized in a standard unit. The following steps detail how the water flow tubing is re-routed to create a pressurized tank and provide a supply line to the glass filler.

Note: Item numbers in the following steps refer to items in Parts List on page 1.

Step 1

Bottom Cover Removal

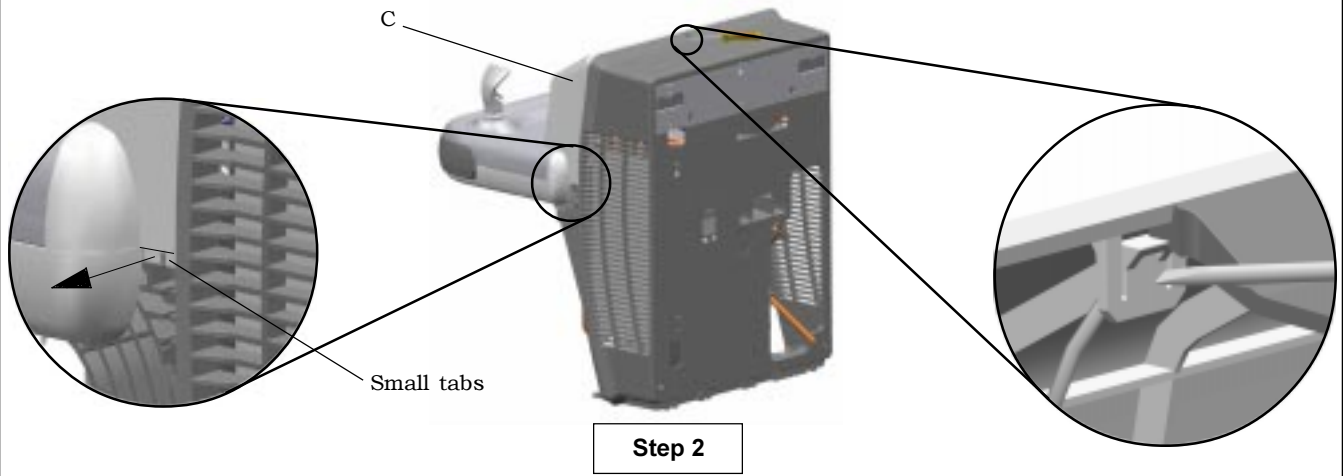
- To access the refrigeration system and plumbing connections, remove two screws (A) to remove bottom cover (B).
- Disconnect unit from electrical supply.
- Turn off water supply to unit.



Step 2

Top Cover Removal

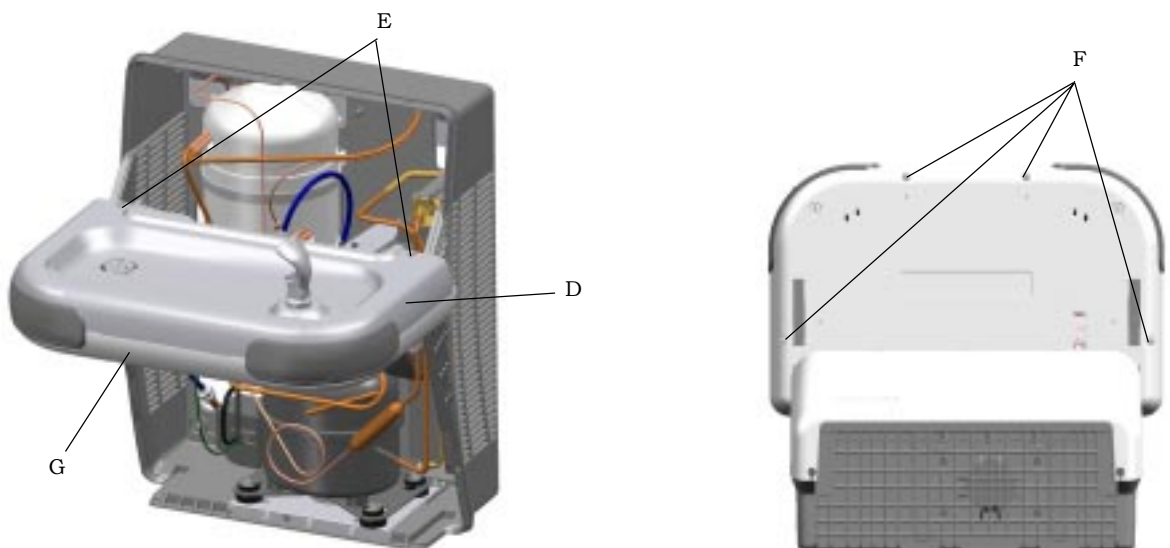
- **Please remove bottom cover before removing top cover.**
- To remove top cover (C), use a small screwdriver to release the snap for the top cover as shown.
- Then pull the small tabs on each side of the top cover outward slightly and slide upward to remove.



Step 3

Removing the basin

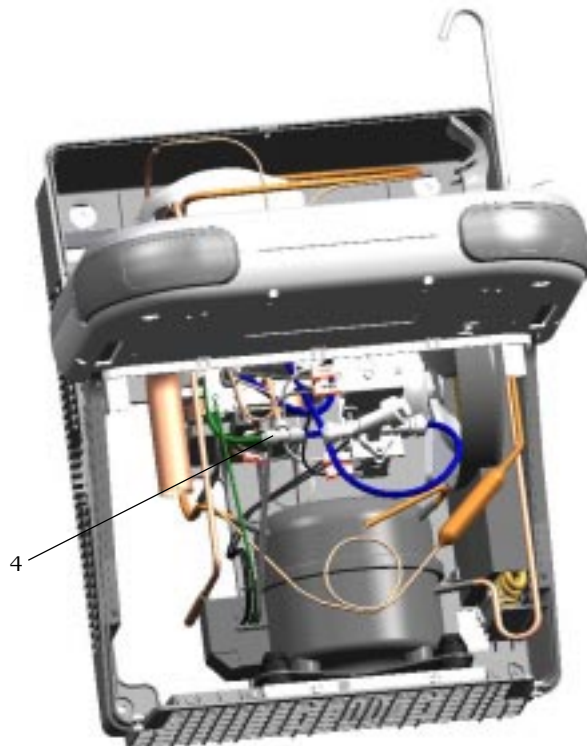
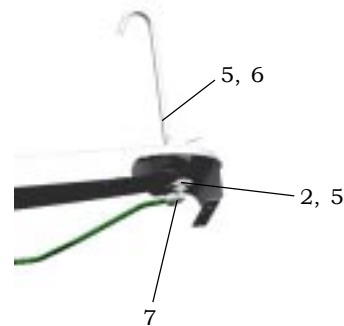
- To remove the basin (D), remove two screws (E) on top of the basin as shown.
- Then remove the four screws (F) located underneath the dispenser bottom (G) as shown.
- Finally pull blue polytube out of regulator holder (refer to detail on page 1 of operation of quick connect fittings) and remove the basin.



Step 4

Adding hole to the basin and rerouting plumbing

- Drill or punch an 11/16" (.687") diameter hole in the location shown at the right rear corner of basin.
- Disconnect both copper water tubes from the solenoid valve inlet and outlet. Cut tubes to desired length to connect back together using 1/4" union (Item 3) so that building shutoff valve is connected to the evaporator inlet line.
- Remove poly tube from the regulator holder inlet and cut to 5" long from the evaporator tank fitting. Connect this tube to the branch of the 1/4" tee (Item 4)
- Cut a 2" long piece of poly tube and use it to connect one side of the tee to the solenoid valve inlet.
- Connect the outlet of the solenoid valve to the regulator holder using poly tube being careful to route the tube away from the fan blade and not to kink it.
- Connect glass filler (Item 6) to glass filler nipple (Item 2) using one gasket (Item 5) below the basin and one gasket above the basin. Tighten glass filler and position as shown below.
- Insert elbow (Item 7) into glass filler nipple. Connect the remaining side of the 1/4" tee to the elbow allowing enough tubing to route through sheet metal cross brace and be careful not to kink tube.
- After tubing has been rerouted and all connections made, reassemble the basin to the cooler.
- Turn on water supply and reconnect electrical supply. Run water through the bubbler by depressing pushbar and through glass filler. Check all connections for water leaks.
- Reinstall top and bottom covers.



Step 4

Halsey Taylor

2222 CAMDEN COURT
OAK BROOK, IL 60523
630.574.3500

REPAIR SERVICE INFORMATION TOLL FREE NUMBER 1.800.260.6640
FOR PARTS, CONTACT YOUR LOCAL DISTRIBUTOR OR CALL 1.800.323.0620