

Halsey Taylor Instruction Manual

Glass Filler Plumbing Kit

Model: 73-42485-51-550

HAC-4F HAC-8F
HAC-4FS HAC-FS

WARNING

To avoid the risk of electrical shock, personal injury, or death, disconnect power and water supplies before installing this plumbing kit.

CAUTION

To avoid property damage, personal injury, and voiding your warranty:

- * have an authorized person install your plumbing kit
- * make sure you read, understand, and follow the attached instructions
- * wear protection to protect yourself from sharp edges
- * wear safety goggles to protect your eyes from water under pressure and other projectiles

PARTS LIST

Refer to the parts list to make sure you received all plumbing kit parts. If any parts are missing, contact your Halsey Taylor dealer.

PARTS LIST		
ITEM NO.	PART NO.	DESCRIPTION
1	100322740560	GASKET-BLACK (QTY OF 4)
2	50090C	INSULATION-ARMAFLEX
3	50279C	TAPE-ARMAFLEX INSULATING
4	60119C	TUBE-CU 1/4 X 5.00"
5	62296C	ASSY-BUBBLER TUBE (QTY OF 2)
6	70682C	FITTING-TEE 1/4
7	70683C	FITTING-UNION 1/4

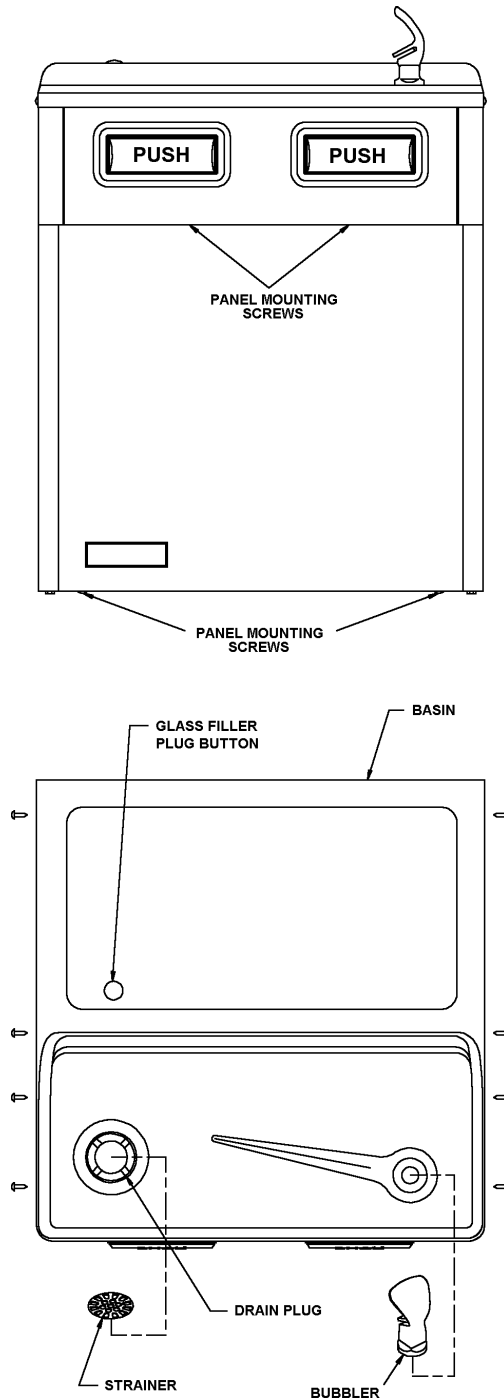
REQUIRED TOOLS

You will need the following tools to install your plumbing kit:

- flat blade screwdriver
- adjustable wrench
- tubing cutter
- phillips screwdriver
- 5/16" nut driver or socket

REMOVE THE FRONT PANEL AND BASIN

1. Disconnect the electric power and shut off the cold water supply. Press the push bar to relieve any residual water pressure.
2. Remove the four front panel screws and remove the front panel.
3. Carefully remove the strainer by using needle nose pliers.
4. Using needle nose pliers, turn the drain plug counterclockwise and remove the plug and gasket. Save the gasket - it will be used again when unit is re-assembled.
5. Remove bubbler by turning counterclockwise. Discard gasket.
6. Remove the eight basin mounting screws and remove the basin.



INSTALLING GLASS FILLER PLUMBING

The plumbing in your water cooler should look like the illustration shown in Fig. 1 at the bottom of this page. Use the following instructions to install the glass filler in your cooler.

IMPORTANT NOTE: INLET SIDE OF REGULATOR HOLDER WAS CHANGED IN EARLY 1997. MAKE NOTE OF THIS LOCATION ON YOUR UNIT BEFORE CUTTING ANY TUBES! AFTER THE INLET IS LOCATED, READ OVER AND USE THE FOLLOWING DIAGRAMS AS A REFERENCE TO FAMILIARIZE YOURSELF WITH THE TUBES THAT ARE TO BE CUT AND WHERE THEY ARE TO BE CUT. MAKE SURE THAT POWER AND WATER SUPPLIES ARE OFF BEFORE DOING ANY WORK ON UNIT.

Fig. 1

1. Disconnect water inlet line at regulator holder.
2. Using a tubing cutter, cut water inlet line as shown (approximately 1-1/2" from bend). Deburr cut tube end.
3. Disconnect water inlet line to tank at the regulator holder.
4. Using a tubing cutter, cut water outlet line on side of joint as shown - remove and discard the bubbler tube assy and armaflex. Deburr cut tube end.

Fig. 2

1. Connect water inlet line to 1/4" union.
2. Route water inlet line to tank approximately as shown and connect to 1/4" union.
3. Connect new 5" tube to regulator holder and place 4" of armaflex over tube.

Fig. 3

1. Connect 1/4" tee to the end of the 5" tube.
2. Place 14" of armaflex over water outlet line and route approximately as shown - connect to 1/4" tee.
3. Place 16" of armaflex over glass filler tube assy - connect to other side of 1/4" tee - route approximately as shown.
4. Place 16" of armaflex over new bubbler tube assy and connect to regulator holder - route approximately as shown.
5. Go to page 4 for instructions on finishing the installation.

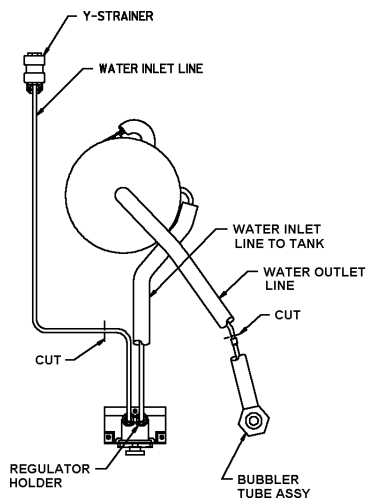


Fig. 1

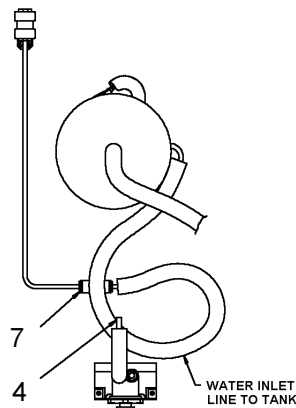


Fig. 2

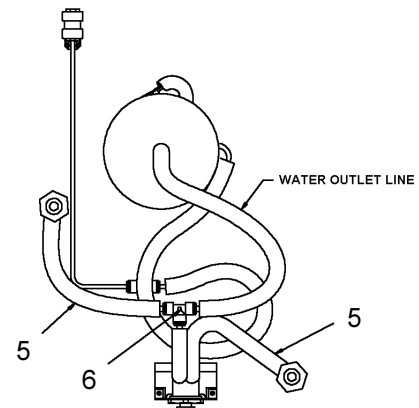
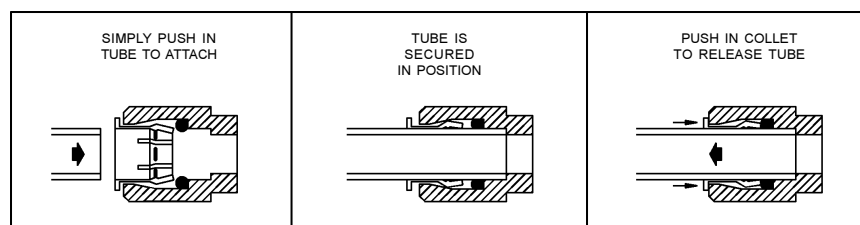


Fig. 3

OPERATION OF QUICK CONNECT FITTINGS



PUSHING TUBE IN BEFORE PULLING IT OUT HELPS TO RELEASE TUBE

FINISHING THE INSTALLATION

1. Verify that the plumbing is connected as shown in Fig.3 on page 3.
2. Wrap all exposed copper tubing with the foam tube supplied with the kit.

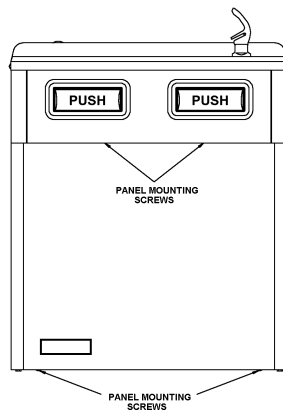
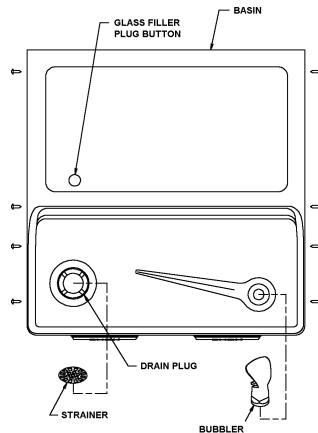
CAUTION!

To avoid water damage, never re-use old bubbler gaskets.

3. Install one black gasket provided with the kit on each nipple of the bubbler tube assy's. One assy is for the glass filler and one is for the bubbler.
4. Remove the glass filler plug frm the basin.
5. Align the bubbler tube assy's and the drain with the knockouts in the basin and install the basin using the eight mounting screws.

NOTE: Be careful not to kink the tubing.

6. Install the bubbler using a new black gasket from the kit.
7. Install the glass filler using a new black gasket from the kit.
8. Install the drain plug by turning it clockwise with the needle nose pliers.
9. Snap the strainer into place.
10. Turn on the cold water supply and check for leaks. Repair any leaks that are found.
11. Reconnect the electric power.
12. Install the front panel using the front panel mounting screws.



Halsey Taylor

2222 CAMDEN COURT
OAK BROOK, IL 60523
630.574.3500

PRINTED IN U.S.A.

FOR PARTS, CONTACT YOUR LOCAL DISTRIBUTOR OR CALL 1.800.323.0620