

GLASS FILLER PLUMBING KIT NO. 73-26589-51-550

This glass filler kit is designed to be used with Halsey Taylor 4, 7, and 8 gallon coolers with copper water lines.

WARNING

To avoid the risk of electrical shock, personal injury, or death, disconnect power and water supplies before installing this plumbing kit.

CAUTION

To avoid property damage, personal injury, and voiding your warranty:

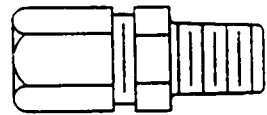
- * have an authorized person install your plumbing kit
- * do not install this plumbing kit unless your Halsey Taylor water cooler is designed for the addition of a glass filler
- * make sure you read, understand, and follow the attached instructions
- * wear hand protection to protect your hands from sharp edges
- * wear safety goggles to protect your eyes from water under pressure and other projectiles

PARTS LIST

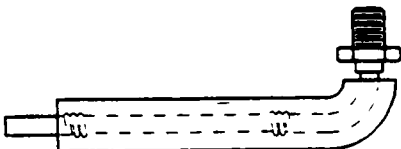
Refer to the illustration to make sure you received all plumbing kit parts. If any parts are missing, contact your Halsey Taylor dealer.



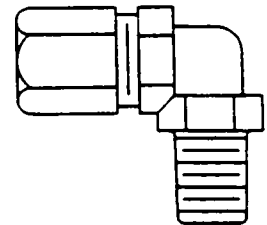
WATER INLET LINE
P/N 60-26631-51-550



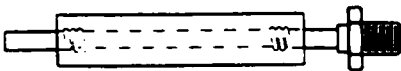
PLASTIC MALE CONNECTOR
P/N 70914C



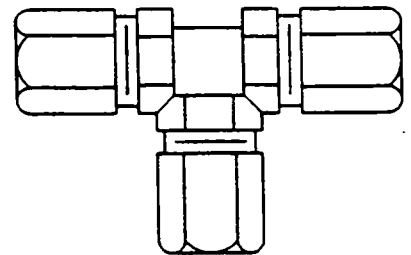
GLASS FILLER SERVICE LINE
P/N 60-26393-51-550



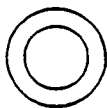
PLASTIC ELBOW
P/N 10-42341-31-550



PROJECTOR SERVICE LINE
P/N 62218C



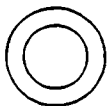
PLASTIC TEE
P/N 70632C



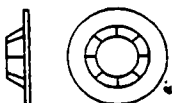
GASKET (BLACK)
P/N 10-03227-40-560



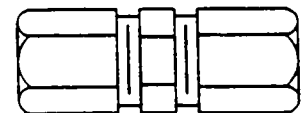
ARMAFLEX TAPE
P/N 50279C



GASKET (GRAY)
P/N 10-15529-40-560



GRAB RING
P/N 10-42384-31-550



PLASTIC UNION
P/N 70542C

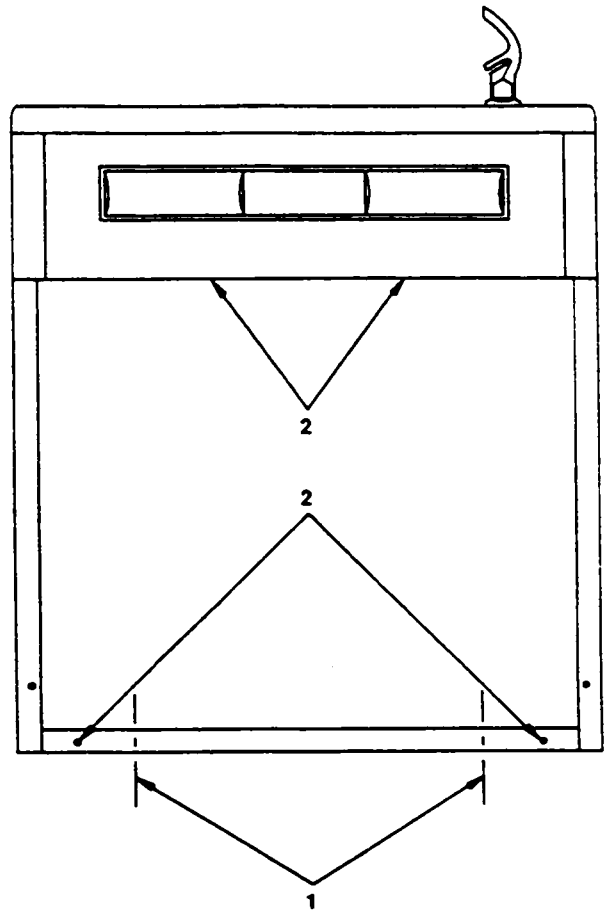
REQUIRED TOOLS

To install your plumbing kit you will need:

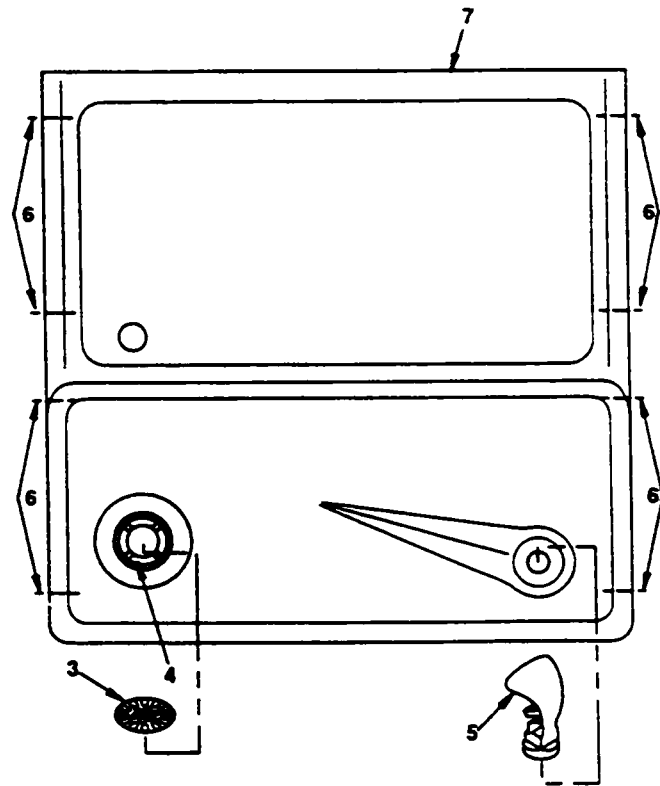
- flat blade screwdriver
- adjustable wrench
- tubing cutter
- teflon tape
- phillips screwdriver
- needle nose pliers
- 1/4" and 5/16" nut or socket driver

Remove the Front Panel and Receptor

1. Remove the two bumper screws (1) and swing out the bumper.
2. Remove the four front panel screws (2) and remove the front panel.



3. Disconnect the electric power and shut off the cold water supply. Press the push bar to relieve any residual water pressure.
4. Carefully remove the strainer (3) using a needle nose pliers.
5. Using a needle nose pliers, turn the drain plug (4) counterclockwise and remove the plug and gasket. The gasket will be reused during reassembly.
6. Turn the projector (5) counterclockwise and remove projector and discard the gasket.
7. Remove the eight receptor mounting screws (6) and remove the receptor (7).



Installing Plastic Tube Fittings

Use the plastic tube fittings in this kit to replace the brass fittings in your water cooler. Brass can introduce lead into the drinking water. Use the following technique to install the plastic tube fitting:

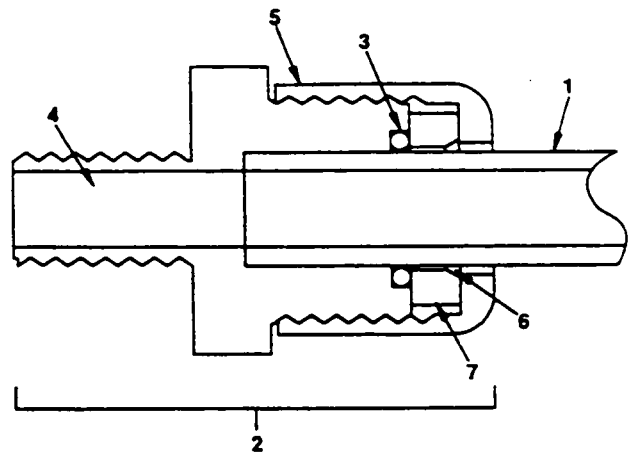
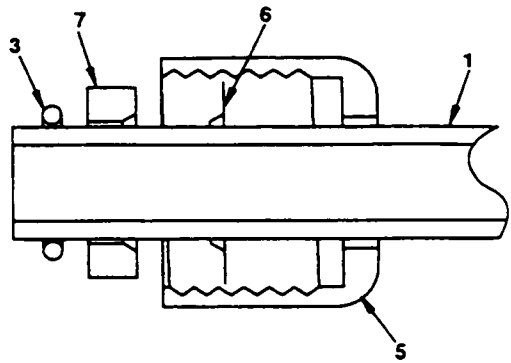
1. Cut the tubing (1) as close to the flare as possible using a tubing cutter.

Note: Only use a tube cutter to cut copper tubing so the end is always square. Never use a hacksaw.

2. De-burr the tubing (1).
3. Disassemble the plastic fitting (2).
4. Remove the O-Ring (3) from the threaded end (4).
5. Slide on the plastic nut (5).
6. Slide on the grab ring (6) so the projections point away from nut.

Note: Extra grab rings are supplied with the kit.

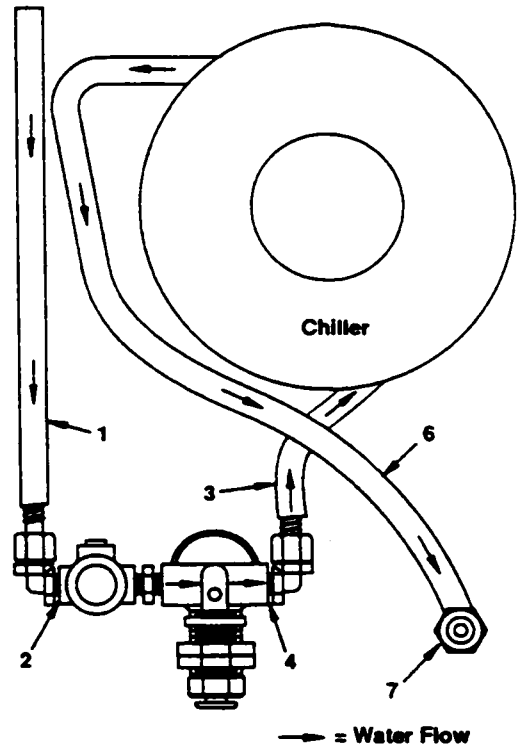
7. Slide on the spacer (7) with the taper pointing towards grab ring.
8. Push the tubing into the threaded end (4) until it bottoms (this gives the spacer and grab ring the proper spacing).
9. Remove the tubing and place the O-Ring (3) on the end of the tube.
10. Push the tubing into the threaded end (2) and tighten the nut (4) when both halves of the fitting are ready for final assembly.



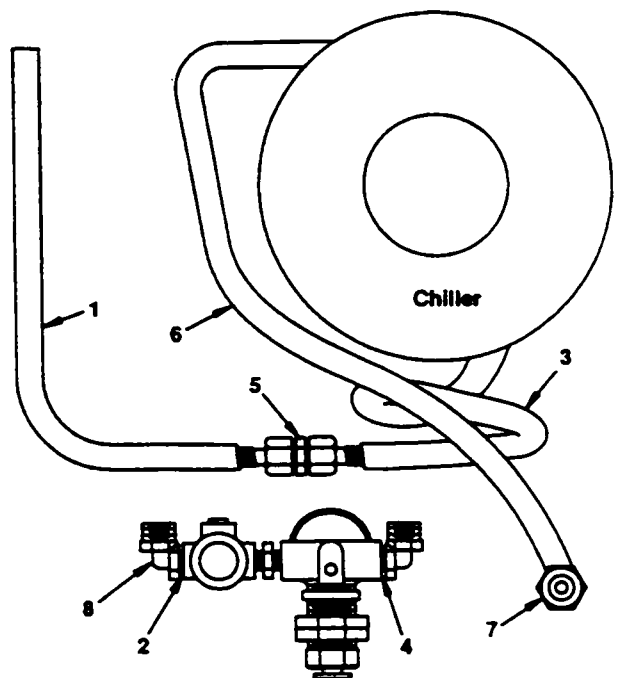
Install Glass Filler Plumbing - Models With Pressure Regulator

If the plumbing in your water cooler looks like the one shown in the illustration, follow this procedure:

1. Disconnect the water supply line (1) from the regulator inlet (2).
2. If there is a brass fitting on the water supply line (1), install one nut from the plastic tubing union supplied with the kit per the previously described procedure.
3. Disconnect the chiller inlet line (3) from the On/Off valve outlet (4).
4. If there is a brass fitting on the chiller inlet line (3), remove the brass fitting and install the other nut from the plastic tubing union supplied with the kit.



5. Carefully move the water supply line (1) and the chiller inlet line (3) so they line up, and connect them together using the threaded portion of the plastic tubing union (5) supplied with the kit.
6. Cut and de-burr chiller outlet line (6) as close as possible to the projector nipple (7).
7. Install the nut from the plastic tubing elbow supplied with the kit on the chiller outlet line (6).



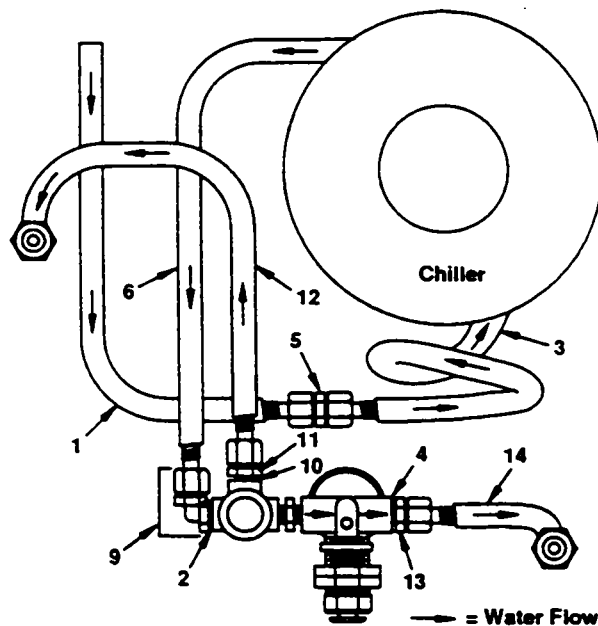
8. If the regulator valve inlet (2) has a brass elbow (8), remove the brass elbow and replace it with the plastic tubing elbow (9) supplied with the kit.

Note: Tape the 1/4-NPT male end of the elbow with Teflon® tape before you insert it into the regulator.

9. Carefully move the chiller outlet line (6) so it lines up with the plastic tubing elbow (9) and connect the fitting together.
10. Remove and discard the plug from the regulator relief port (10) and install the threaded portion of a plastic tubing male connector (11) into the relief port.

Note: Tape the 1/4-NPT male end of the connector with Teflon® tape before you insert it into the regulator.

11. Install the nut from the plastic tubing male connector on the glass filler service line (12) supplied with the kit and connect the glass filler service line to the regulator relief port (10).



12. Remove the fitting from the On/Off valve outlet (4) and install the threaded portion of a plastic tubing male connector (13) into the outlet.

Note: Tape the 1/4-NPT male end of the connector with Teflon® tape before you insert it into the regulator.

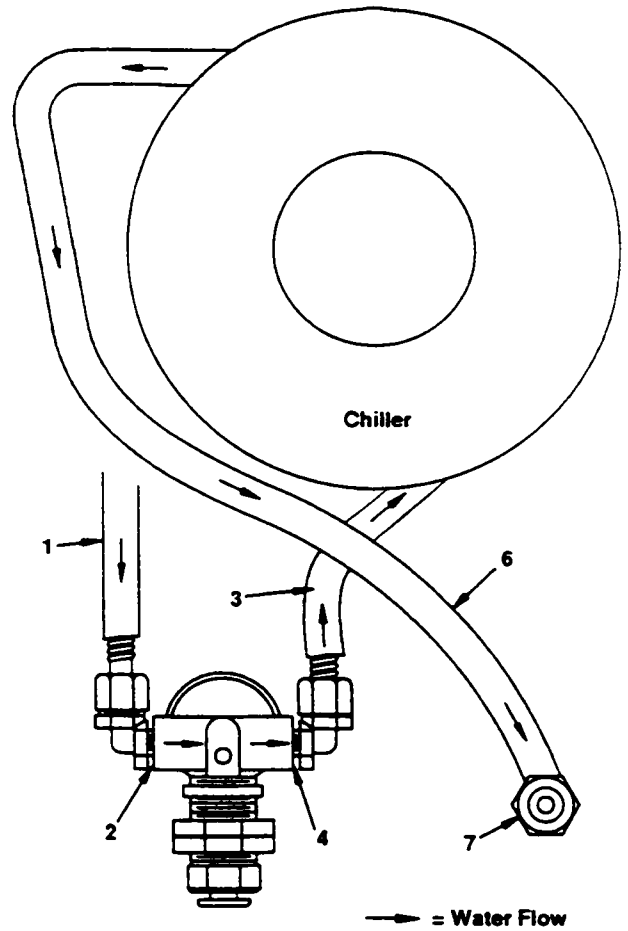
13. Install the nut from the plastic tubing male connector on the projector service line (14) supplied with the kit.
14. Connect the projector service line (14) to the On/Off valve outlet (4).

15. Go to **Finishing the Installation.**

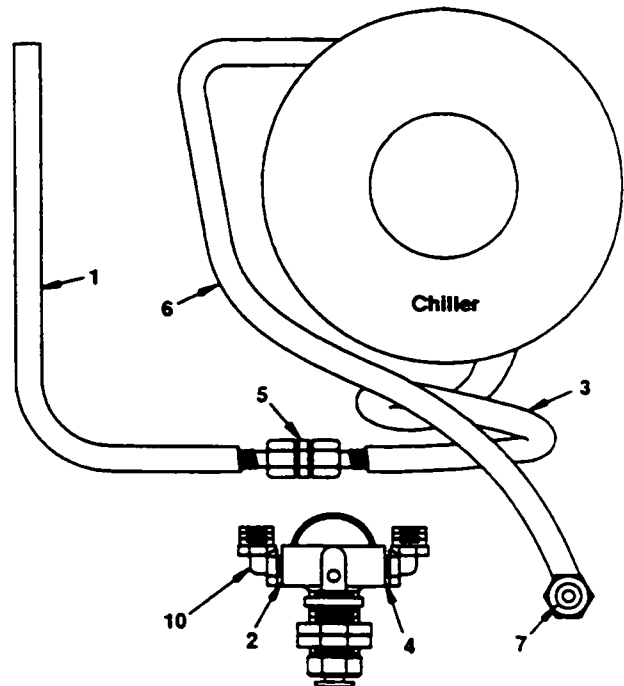
Install Glass Filler Plumbing - Models Without Pressure Regulator

If the plumbing in your water cooler looks like the one shown in the illustration, follow this procedure:

1. Disconnect the water supply line (1) from the On/Off valve inlet (2).
2. If there is a brass fitting on the water supply line (1), install one nut from the plastic tubing union supplied with the kit per the previously described procedure.
3. Disconnect the chiller inlet line (3) from the On/Off valve outlet (4).
4. If there is a brass fitting on the chiller inlet line (3), remove the brass fitting and install the other nut from the plastic tubing union supplied with the kit.



5. Carefully move the water supply line (1) and the chiller inlet line (3) so they line up and connect them together using the threaded portion of the plastic tubing union (5) supplied with the kit.
6. Cut and de-burr chiller outlet line (6) as close as possible to the projector nipple (7).



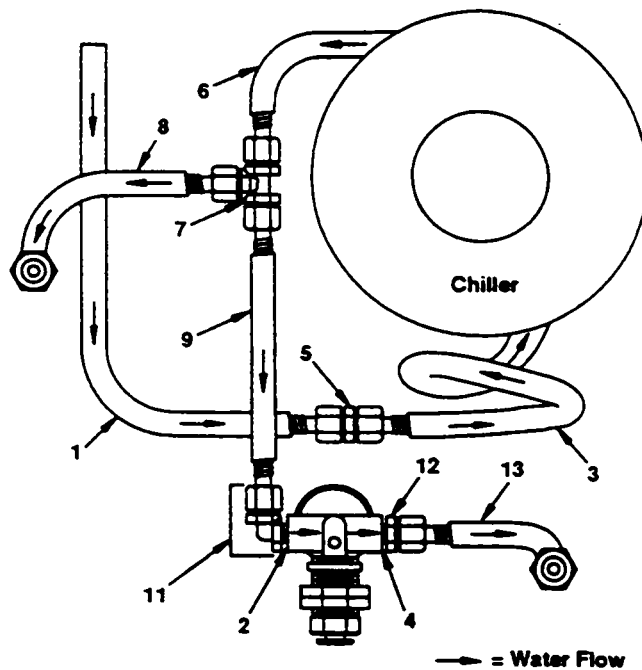
7. Install one nut from the plastic tubing tee (7) supplied with the kit on the chiller outlet line (6).
8. Install another nut from the plastic tubing tee (7) on the glass filler line (8) supplied with the kit.
9. Install the third nut from the plastic tubing tee (7) on the water inlet line (9) supplied with the kit.
10. If the inlet of the On/Off valve (2) has a brass elbow (10), remove the brass elbow and replace it with the plastic tubing elbow (11) supplied with the kit.

Note: Tape the 1/4-NPT male end of the elbow with Teflon® tape before you insert it into the regulator.

11. Install the nut from the plastic tubing elbow on the other end of the water inlet line (9).
12. Connect the chiller outlet line (6), glass filler line (8), and one end of the water inlet line (9) to the plastic tubing tee (7).
13. Connect the other end of the water inlet line (9) to the inlet of the On/Off valve (2).
14. Remove the fitting from the outlet of the On/Off valve (4) and install the threaded portion of a plastic tubing male connector (12) into the outlet.

Note: Tape the 1/4-NPT male end of the elbow with Teflon® tape before you insert it into the regulator.

15. Install the nut from the plastic tubing male connector on the projector service line (13) that came with the kit.
16. Connect the new projector service line (13) to the On/Off valve outlet (4).
17. Go to **Finishing the Installation**.



Finishing the Installation

1. Verify that the plumbing is connected as shown in the appropriate after installation illustration.
2. Wrap all exposed copper tubing with the foam tape supplied with the kit.

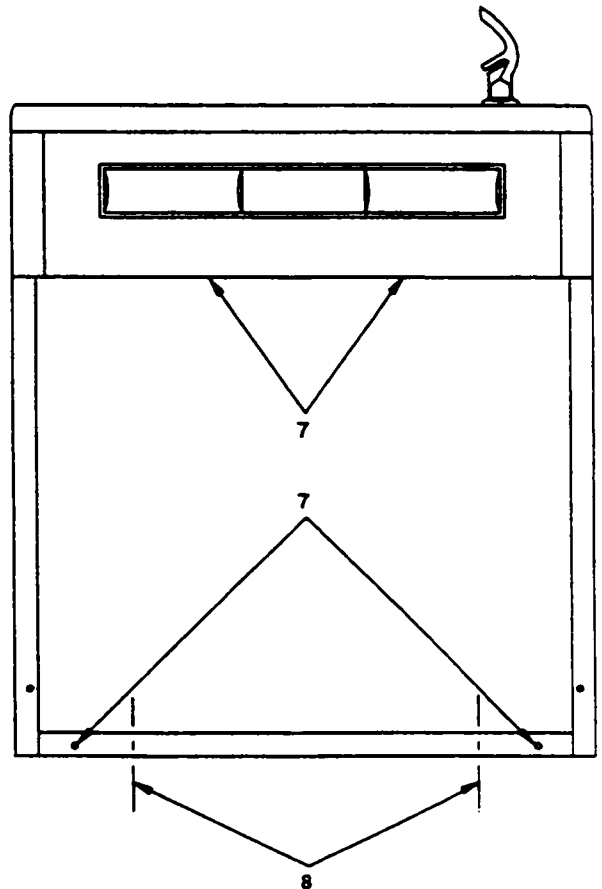
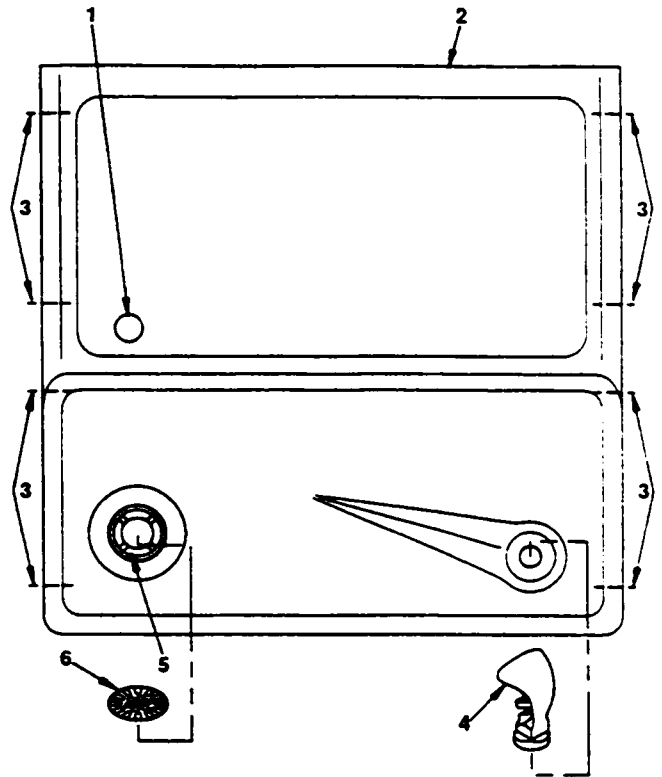
Caution

To avoid property damage, never re-use old projector gaskets.

3. Install one black gasket provided with the kit on the projector service line nipple.
4. Install one gray gasket provided with the kit on the glass filler service line nipple.
5. Remove the glass filler plug button (1) from the receptor (2).
6. Align the glass filler service line, the projector service line, and the drain with the knockouts in the receptor (2) and install the receptor using the eight mounting screws (3).

Note: Be careful not to kink the tubing.

7. Install the projector (4) using a new black gasket from the kit.
8. Install a glass filler from a Halsey Taylor glass filler kit using the gasket supplied with that kit.
9. Install the drain plug (5) by turning it clockwise with the needle nose pliers.
10. Snap the strainer (6) into place.
11. Turn on the cold water supply and check for leaks. Repair any leaks you find.
12. Reconnect the electric power.
13. Install the front panel using the front panel mounting screws (7).
14. Install the bumper using the bumper mounting screws (8).



Halsey Taylor