

EM65 COMPRESSOR KIT

The EM65 compressor uses a run capacitor and has a directed suction line.
(Suction & Process ports are not interchangeable.)

When replacing an FF7.5HBK compressor with an EM65 compressor:

1. Connect the refrigerant lines per figure 1.
2. Wire the run capacitor per figure 2.
3. Attach run capacitor to top of relay cover with double sided tape provided.

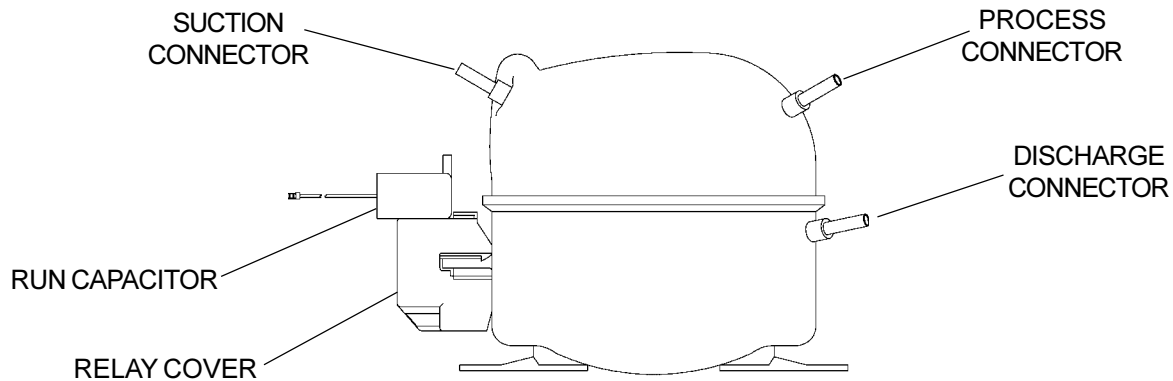


Figure 1.
EM65 COMPRESSOR

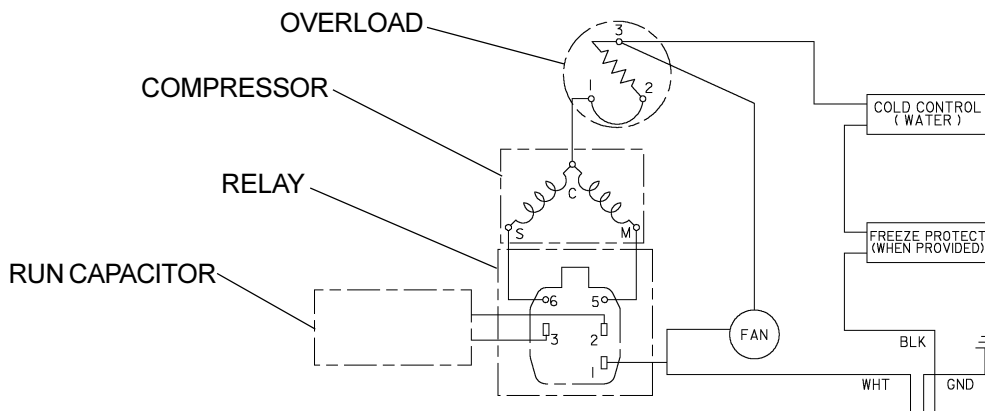


Figure 2.
EM65 ELECTRICAL DIAGRAM