

Chiller Replacement General Instruction Sheet

WARNING

Installation of this service kit requires sheet metal modification, refrigeration service expertise including brazing, freon recovery and recharging. *All service work must be performed by a qualified service technician. Do not attempt this replacement if you do not fully understand these requirements.* This tank replacement kit will require one or more of the following steps:

- Brazing of refrigerant and water line (copper) connections
- Revising the mounting system on the cooler shelf including drilling holes or replacing shelf.
- Revising refrigeration line shape and routing
- Revising refrigeration system line hook-ups
- Revising water line sizes
- Revising water line shapes and routings

Reference Information Old "Copper" Tank

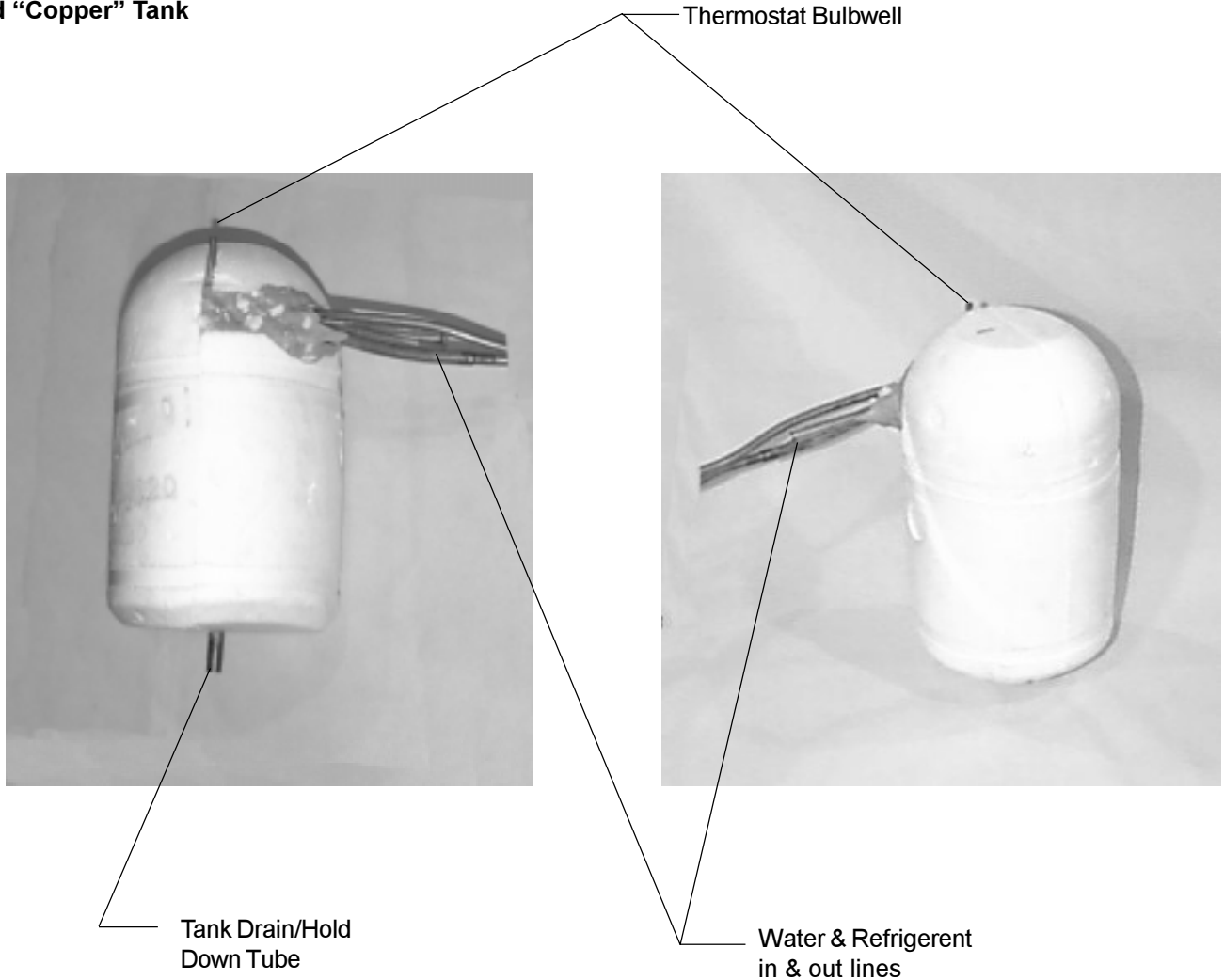


FIG. 1

Reference Information
New "Stainless Steel" Tank

Thermostat
Bulbwell



Refrigerant Outlet
(Suction Line)

FIG. 2

Reference Information
New "Stainless Steel" Tank

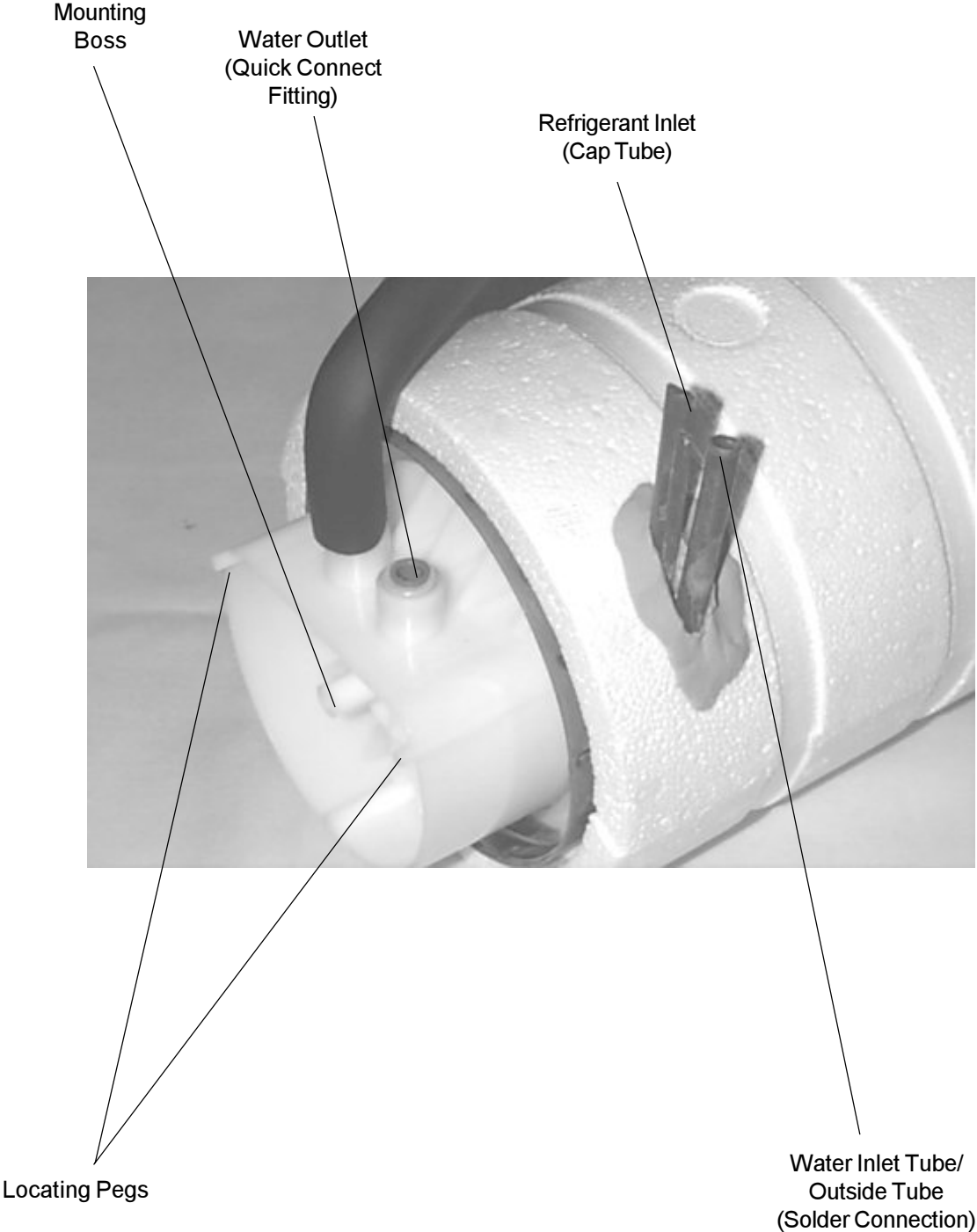
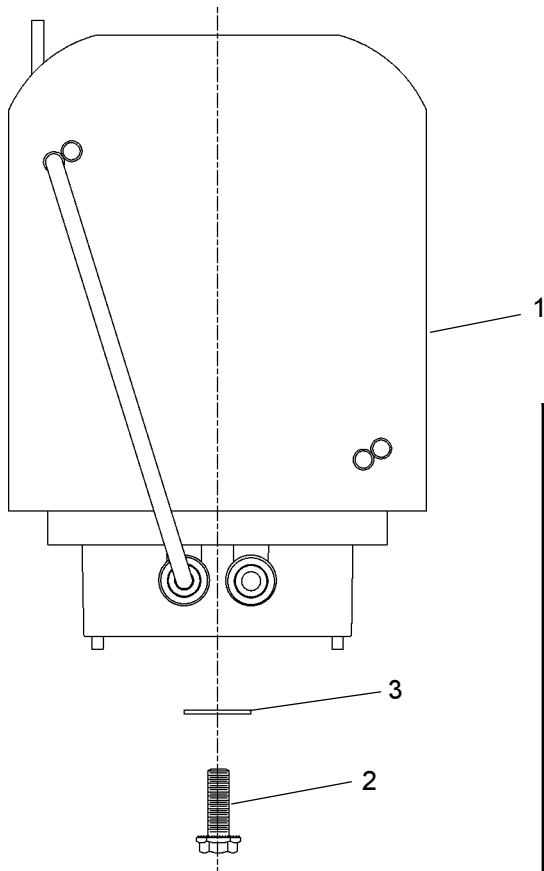


FIG. 3

Installation Procedure

1. Remove original chiller
2. Refer to location reference guides and full size template Part No. 97529C. Locate full size template per reference guide for model being serviced. Drill Chiller Tank mounting holes.
3. Mount chiller tank to shelf with mounting screw and washer.
4. Revise size of the Refrigerant suction line to adapt to the Refrigerant Outlet on the Chiller Tank. Reshape the suction line as required. Braze connect the Suction Line to the Refrigerant Outlet.
5. Insert the capillary tube into the Refrigerant Inlet. Braze connect.
6. Connect the water inlet line into the Chiller Tank Water Inlet. Revise the water tube size and routing shape as required. Braze connect the water inlet line connection.
7. Revise the water outlet line to a ¼" tube connection. The ¼" tube connection must be round and free of surface defects (solder, cuts, etc.). Any surface defects will obstruct the ability of the quick connect fitting to seal. Insert the straight end of the ¼" tube into the quick connect connection. Refer to figure 5 for details on how the Guest connection functions.
8. Insert thermostat cap tube into the Chiller Tank bulbwell.
9. Check all connection points for leaks. Repair as required.
10. Recharge the unit and return to service.

FIG. 4



PARTS LIST	
1	EVAPORATOR TANK
2	SCREW #12 X 1.50" LONG
3	WASHER - .250" I.D.

OPERATION OF QUICK CONNECT FITTINGS

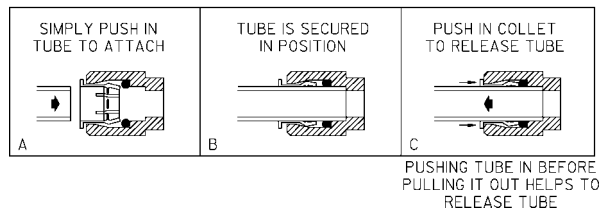


FIG. 5