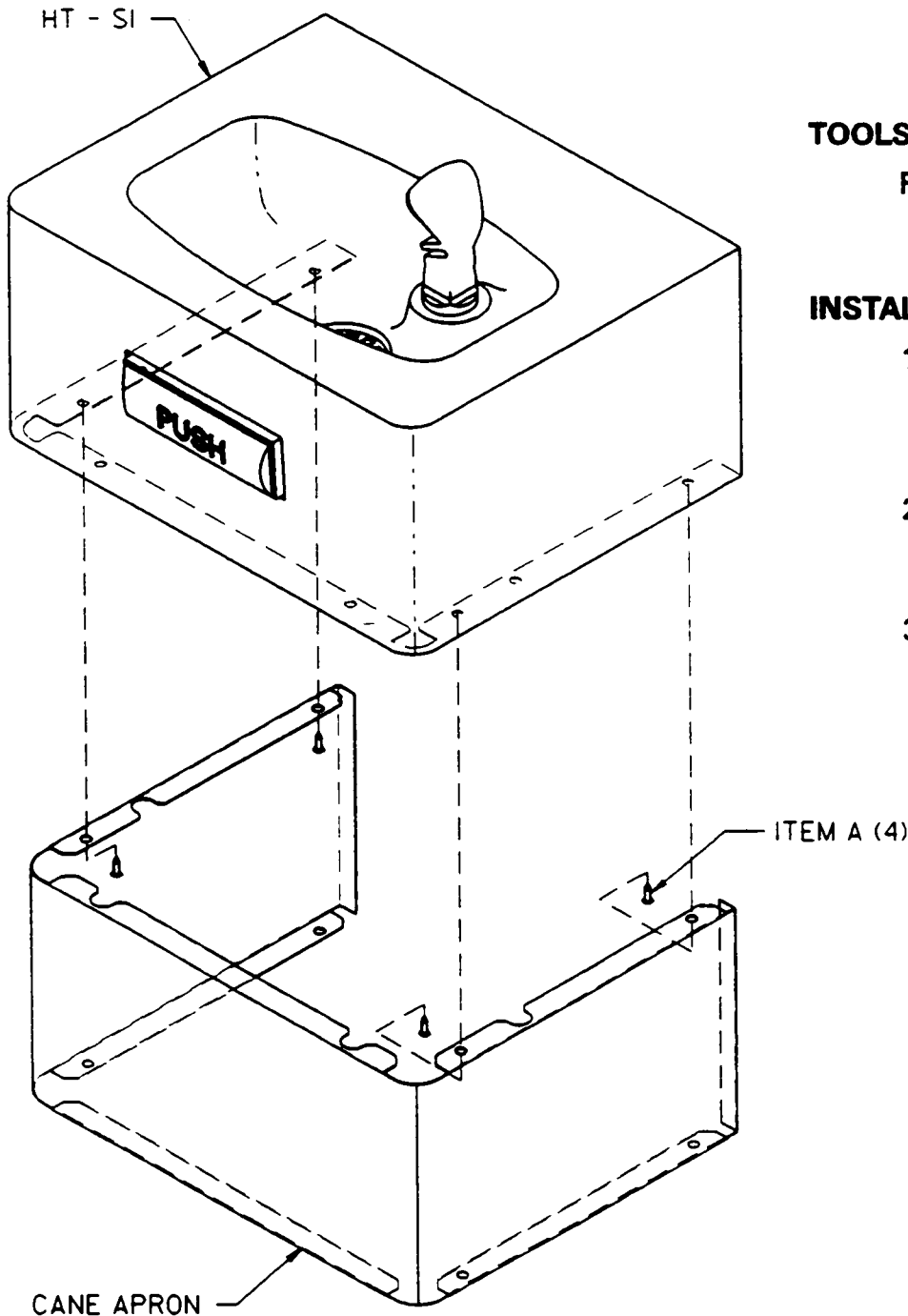


INSTALLATION INSTRUCTIONS

CANE APRON - HT-S1



TOOLS REQUIRED:

Phillips Head Screwdriver

INSTALLATION PROCEDURE:

- 1) Loosen and remove (4) screws (Item A) from the underside of HT - S1 fountain.
- 2) Install cane apron to the underside of HT - S1 fountain.
- 3) Reuse (4) screws from step 1 to secure cane apron to your HT - S1 fountain.

Halsey Taylor®

P. O. BOX 9001
OAK BROOK, IL 60521
(708) 574-3500

PRINTED IN U.S.A.

FOR PARTS, CONTACT YOUR LOCAL DISTRIBUTOR OR CALL 1-800-323-0620

96849C