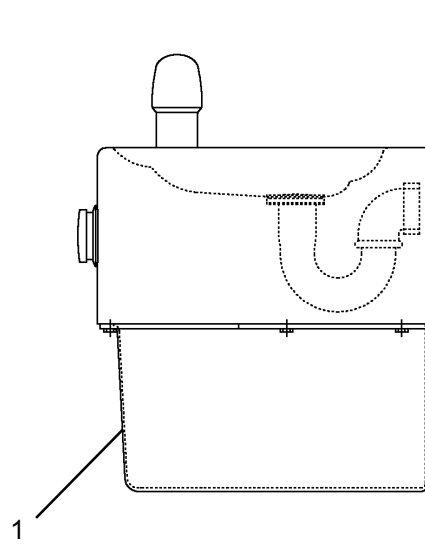
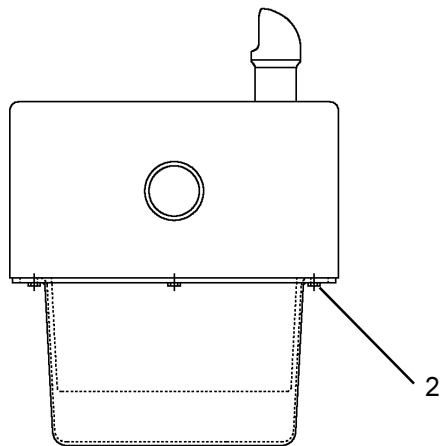


# INSTRUCTION SHEET - 97258C CANE APRON KIT

1. REMOVE 5 SCREWS AND BOTTOM COVER PLATE.
2. ATTACH ITEM 1 CANE APRON WITH THE FIVE SCREWS PROVIDED.
3. BOTTOM COVER AND ORIGINAL SCREWS CAN BE DISCARDED.

KIT CONSISTS OF:

ITEM	PART NO.	DESCRIPTION
1	56020C	CANE APRON
2	75532C	SCREW #10 X .50



FOR PARTS, CONTACT YOUR LOCAL DISTRIBUTOR OR CALL 1.800.323.0620